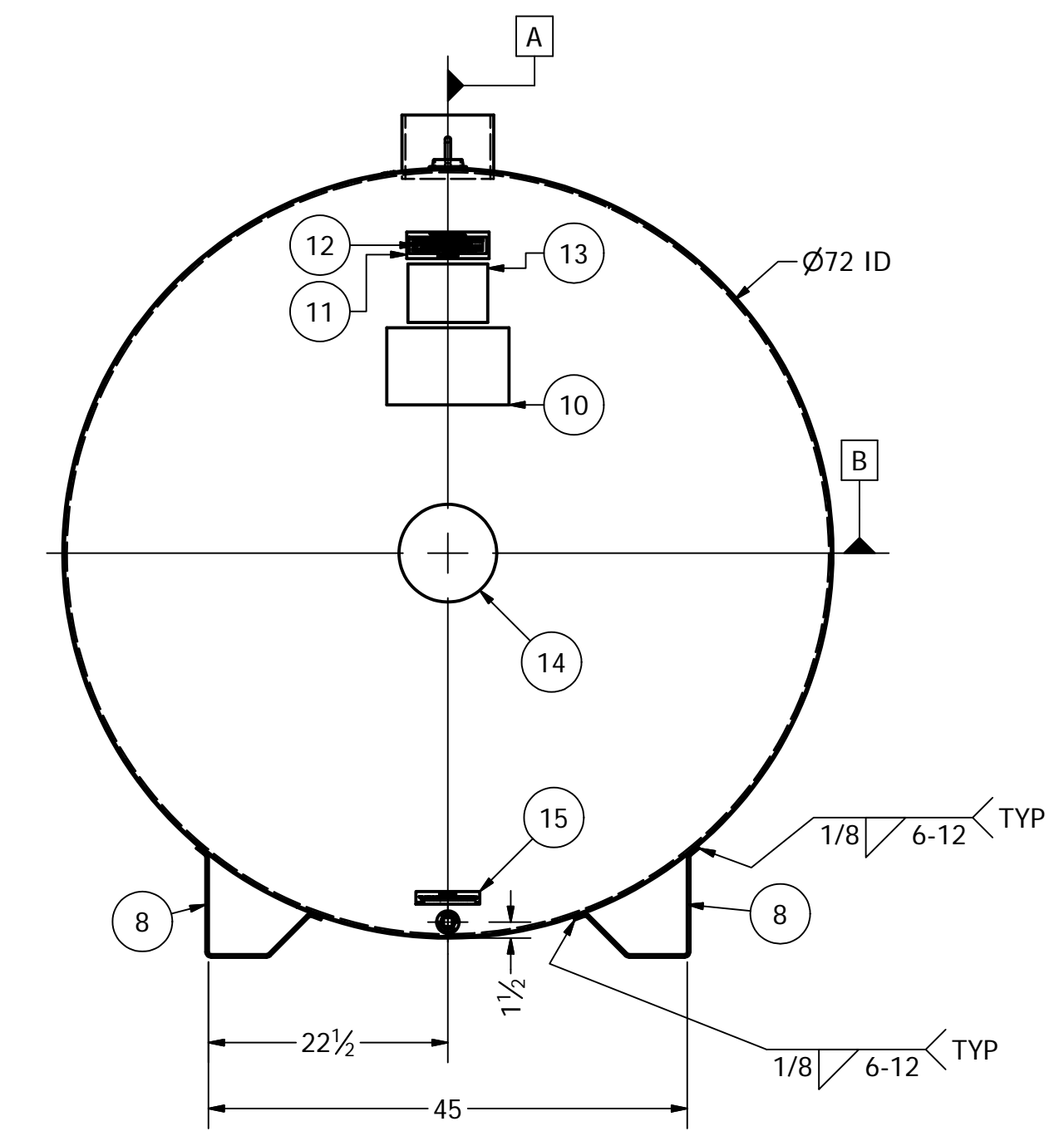
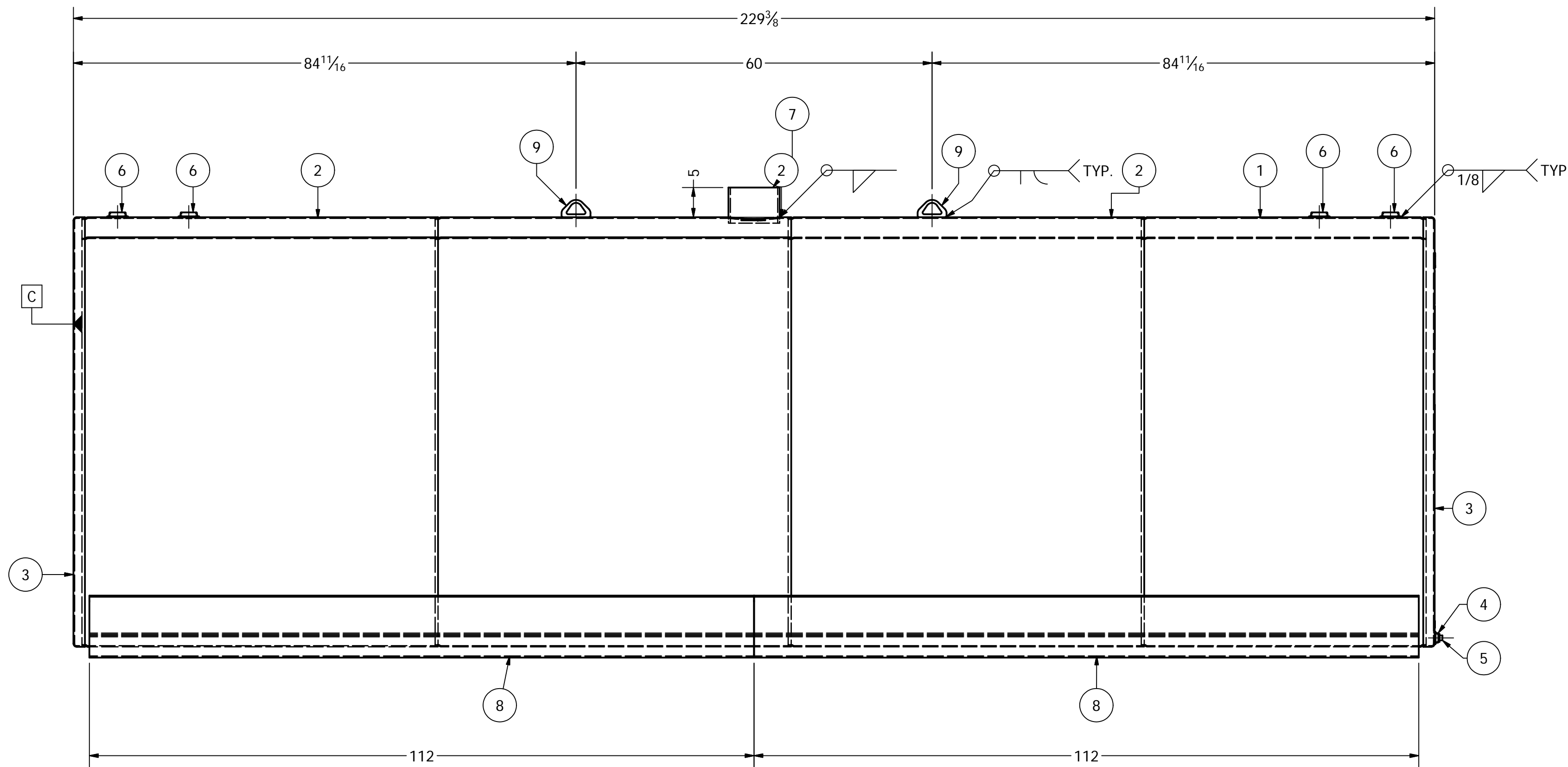
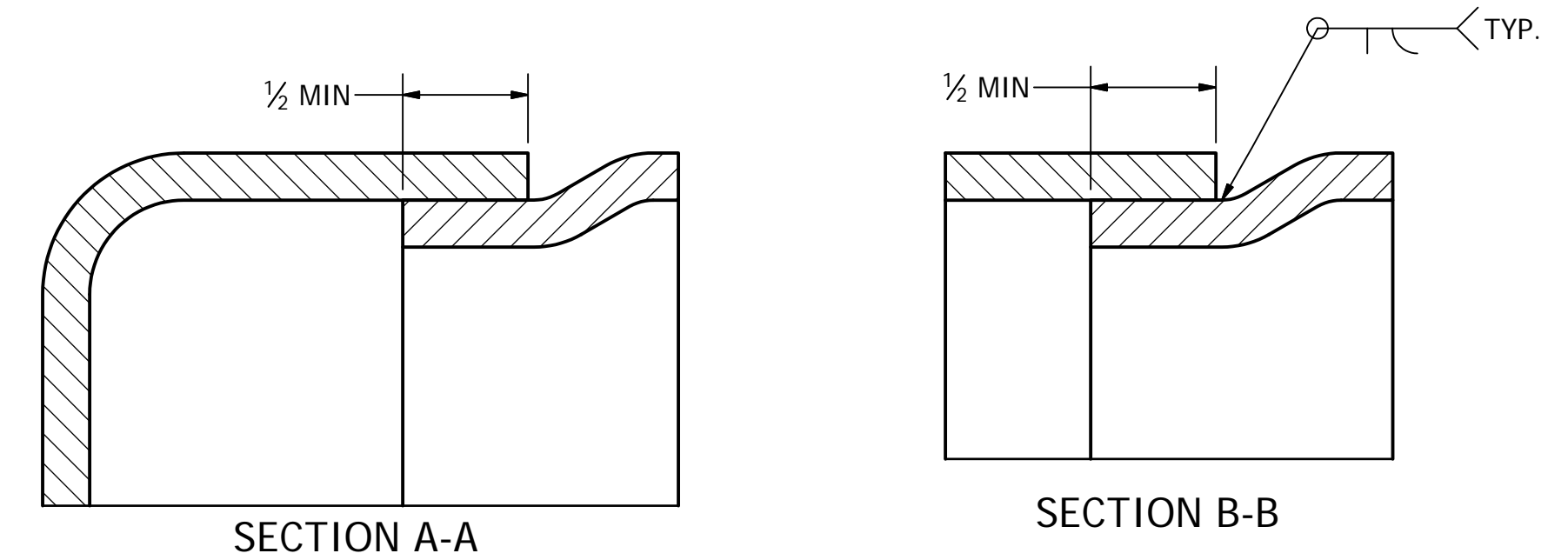
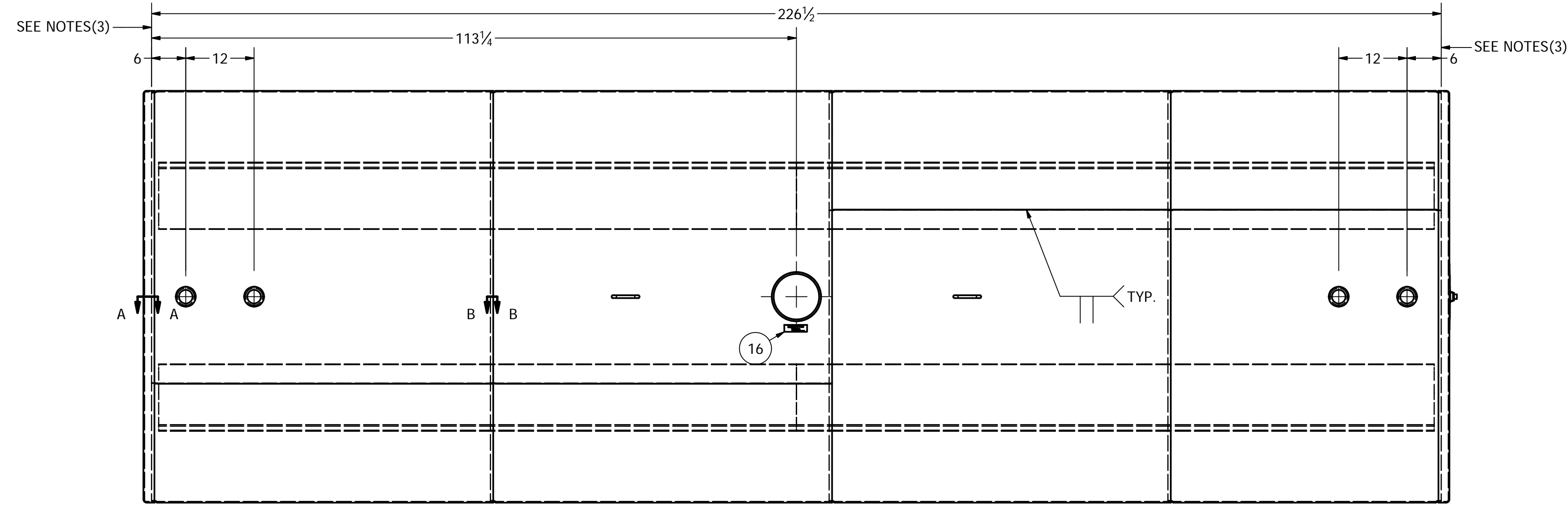


QC	LAYOUT	DIM. INSP.	WELDER	WELD INSP.	COATING	COAT. INSP.	COMP. DATE	HEAT #
----	--------	------------	--------	------------	---------	-------------	------------	--------

PARTS LIST					
ITEM	SL ITEM#	ITEM QTY	DESCRIPTION	MASS	NOTES
1	TC002707	1	Shell, .188, 72id, 48, 360d, Ofst2	582.076 lbmass	
2	TC002706	3	Shell, .188, 72id, 60, 360d, Ofst1	726.883 lbmass	
3	TC000198	2	Head, Circle, .188, 72id, .938fing	238.067 lbmass	
4	TB002015	1	Weld Flange, Threaded, 1, BLK	0.190 lbmass	
5	TB002170	1	Pipe Plug, 1, Square Head, BLK	0.378 lbmass	
6	TB002022	4	Weld Flange, Threaded, 2, BLK	0.534 lbmass	
7	TB001384	1	Pipe, 8, Sch40, 6, TOE	14.292 lbmass	
8	TC002712	4	Skid, SSP72, .250, 112, 45sp, ST1	181.309 lbmass	
9	TB000905	2	Lift Lug, Small, 6800#	0.806 lbmass	
10	TB000220	1	Decal, TrueNorth Steel, White	0.016 lbmass	
11	TB000817	1	Holder, Brass Label	0.275 lbmass	
12	TB000821	1	Label, Emergency Relief, Brass, SW	0.035 lbmass	
13	TB000813	1	Label, SwRI Above Ground Storage Tank	0.002 lbmass	
14	3950-0008	1	Label, Steel Logo	0.048 lbmass	
15	3950-0019	1	Label, Opening Liquid Tight, Caution	0.042 lbmass	
16	TB002202	1	Label, Emergency Vent Primary	0.029 lbmass	



- NOTES:
- FINISH:  
EXTERIOR - PRIME AND WHITE  
INTERIOR - NONE
  - VENT CAPACITY:  
TOTAL VENTING CAPACITY-270,068.13(ft<sup>3</sup>/hr)
  - FITTING LOCATIONS:  
DIMENSIONS ALONG TOP LONGITUDINAL CENTER LINE BASED OFF EDGE OF SHELL
  - BUILD & TESTING  
THIS TANK SHALL BE BUILT & TESTED IN ACCORDANCE WITH STI-F081 STANDARD FOR ABOVE GROUND TANKS

DATE	REV	DESCRIPTION	ECN NO.	BY
6/2/2015	1	UPDATED SKID PROFILE	E2015-0068	TWS
12/31/2014	0	RELEASED		DCLAUDE

	4401 West Main Fargo, ND 58103 Phone: 701-282-2345 Fax: 701-282-5516 TrueNorthSteel.com		
	UNLESS OTHERWISE SPECIFIED: UNITS = INCHES TOLERANCE: LINEAR ±1/8" ANGULAR ±1/2"	DRAWN: DCLAUDE DATE: 10/14/2014	