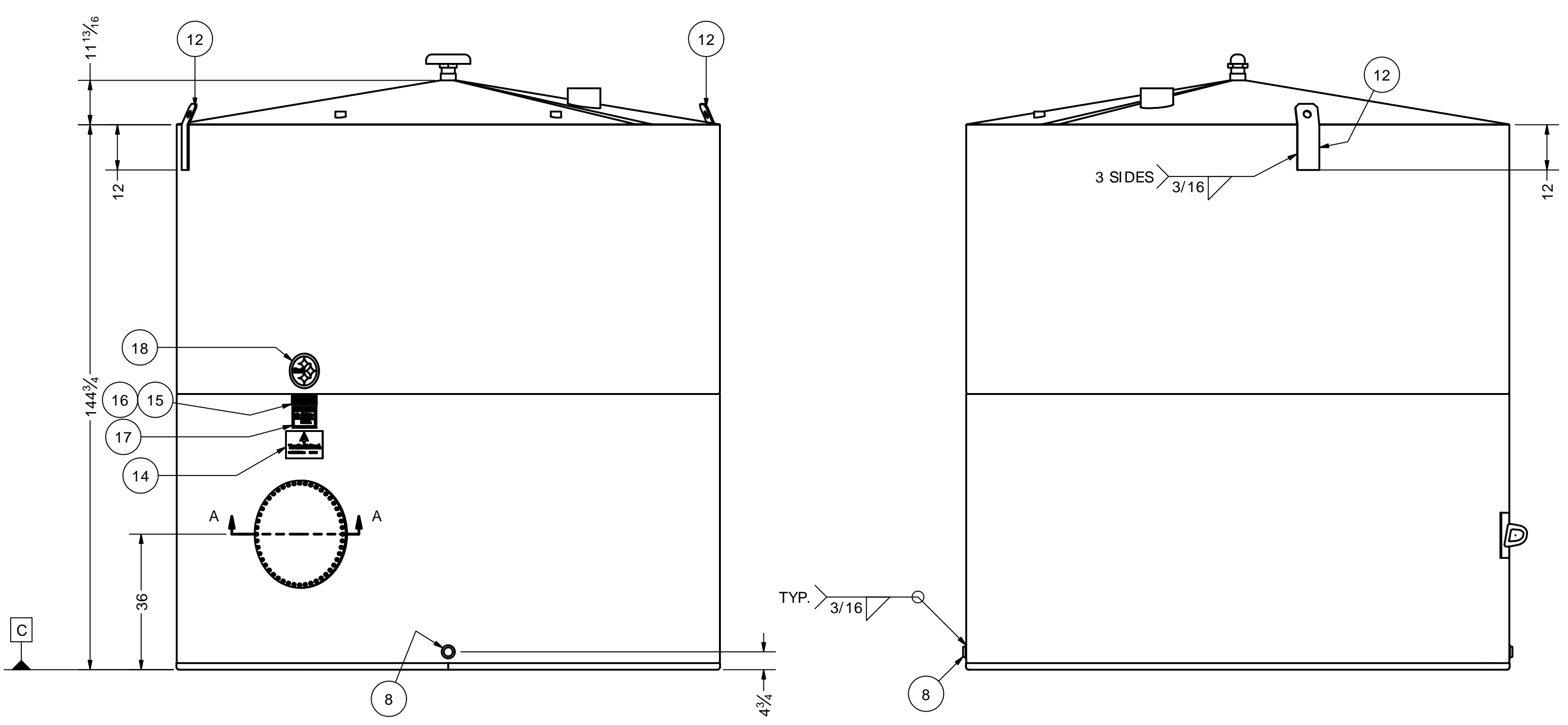
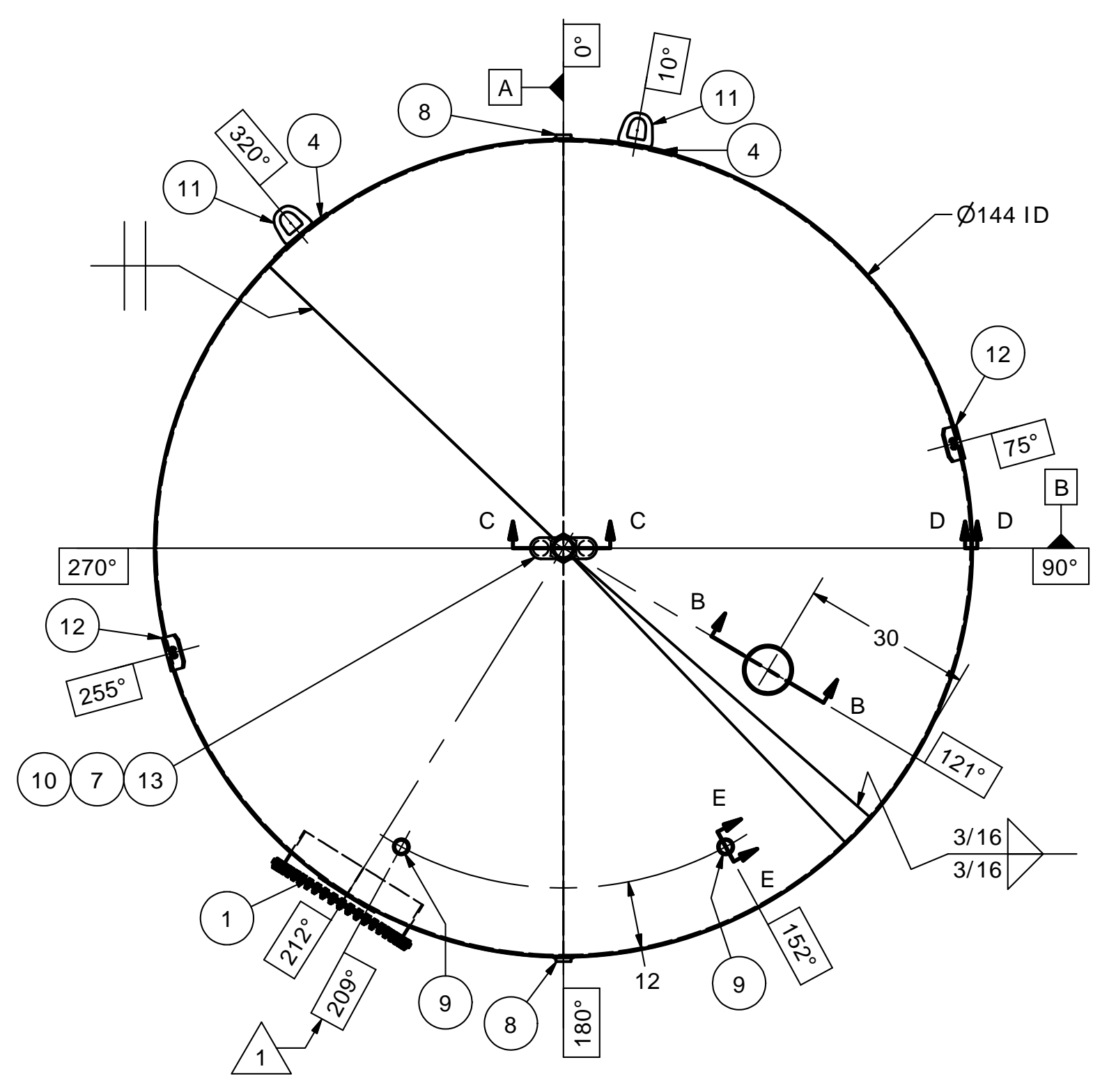


QC	LAYOUT	DIM. INSP.	WELDER	WELD INSP.	COATING	COAT. INSP.	COMP. DATE	HEAT #
----	--------	------------	--------	------------	---------	-------------	------------	--------



PARTS LIST					
ITEM	S/L ITEM#	QTY	DESCRIPTION	MASS	NOTES
1	2000-0005	1	Manway, Kit, 24.0, DP, 7n., 25f., 375c, BunaN	125.034 lbmass	
2	3000-0066	2	Head, Half., 135, 144id, Coned, OL, 2.0ctr	320.451 lbmass	
3	3000-0073	2	Head, Half., 250, 144id, 1.500flng	601.135 lbmass	
4	3000-0106	2	Reinforcement Plate., 250, 12x12, 144 Tank	10.227 lbmass	
5	TC000321	2	Shell., 188, 144id, 72, 360d, Ofst1	1739.894 lbmass	
6	TB001384	1	Pipe, 8, Sch40, 6, TOE	14.292 lbmass	
7	TB001373	1	Pipe, 3, Sch40, 4, TBE	0.214 lbmass	
8	TB002022	2	Weld Flange, Threaded, 2, BLK	0.534 lbmass	
9	TB001222	2	Coupling, Full, 2.00, Merch, Thrd	1.216 lbmass	
10	TB001225	1	Coupling, Full, 3.00, Merch, Thrd	3.568 lbmass	
11	TB000904	2	Lift Lug, Large, 16500#	5.186 lbmass	
12	TC000211	2	Lift Lug, Top	11.051 lbmass	
13	TB001979	1	Vent, Double Outlet, 3.00, Thrd	0.140 lbmass	
14	TB000219	1	Decal, 10" Black TrueNorth Steel	0.017 lbmass	
15	TB000817	1	Holder, Brass Label, Fargo	0.275 lbmass	3950-0036, HURON
16	TB000821	1	Label, Emergency Relief, Brass, SW	0.035 lbmass	
17	TB000813	1	Label, SwRI Above Ground Storage Tank	0.005 lbmass	
18	3950-0008	1	Label, Steel Logo	0.059 lbmass	

DATE	REV	DESCRIPTION	ECN NO.	BY
9/1/2016	1	CORRECTED DEG CALLOUT AT 209DEG, TOP VIEW RELEASED	NA	TS
4/28/2016	0		E2016-0127	DCLAUDE
3/17/2016	B	CHANGED 3" WF TO 2" AND ADDED 2" WF REMOVED 4" COUPLERS & PLUGS	E2016-0127	DCLAUDE

NOTES:
 1) FINISH:
 EXTERIOR - PRIME AND WHITE
 INTERIOR - NONE
 2) VENT CAPACITY:
 TOTAL VENTING CAPACITY-334,002.15(ft³/hr)
 3) BUILD & TESTING:
 THIS TANK SHALL BE BUILT & TESTED IN ACCORDANCE WITH ST1-F081 STANDARD FOR ABOVE GROUND TANKS

	4401 West Main Fargo, ND 58103 Phone: 701-282-2345 Fax: 701-282-5516 TrueNorthSteel.com		
	UNLESS OTHERWISE SPECIFIED: UNITS = INCHES TOLERANCE: LINEAR ± 1/8" ANGULAR ± 1/2"	DRAWN: DCLAUDE CHECKED: DATE:	
THIS DRAWING IS THE SOLE PROPERTY OF TRUENORTH STEEL INC. ANY COPIES/EDITS MADE WITHOUT THE WRITTEN CONSENT OF TRUENORTH STEEL, IS STRICTLY PROHIBITED.			SHEET 1 OF 1