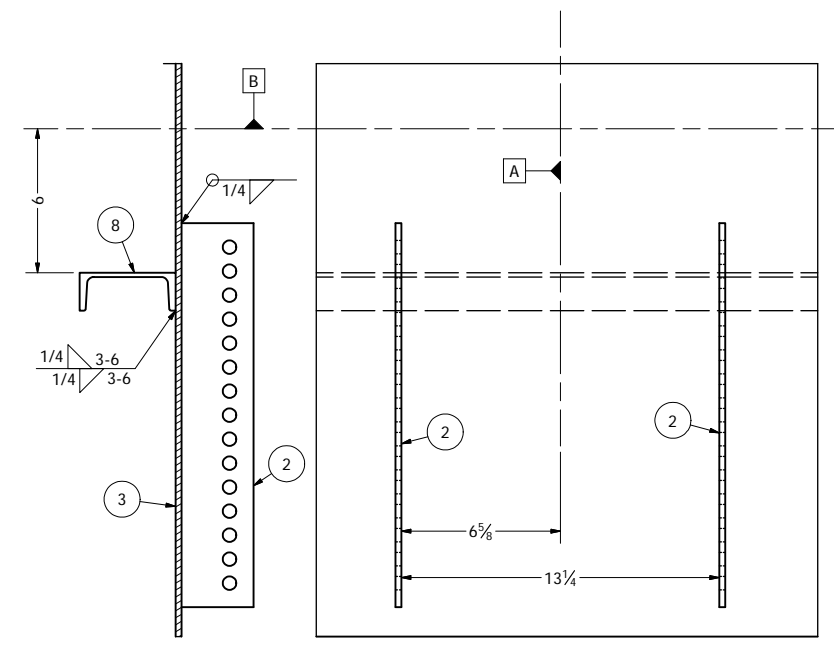
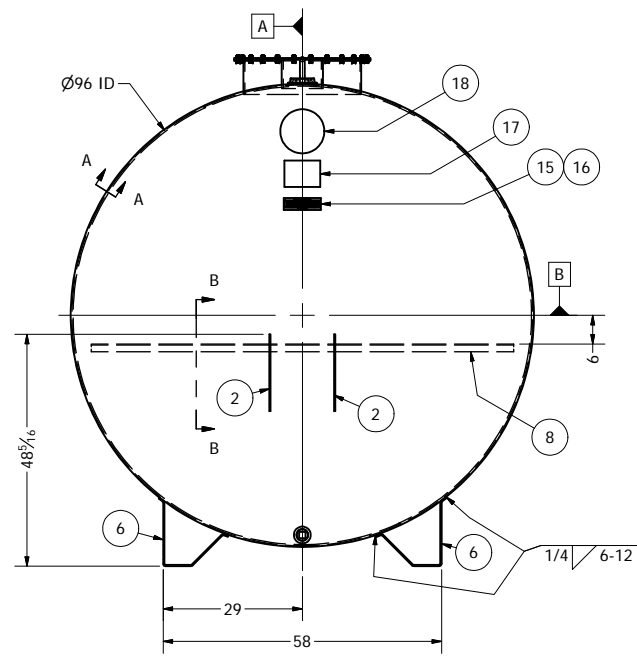
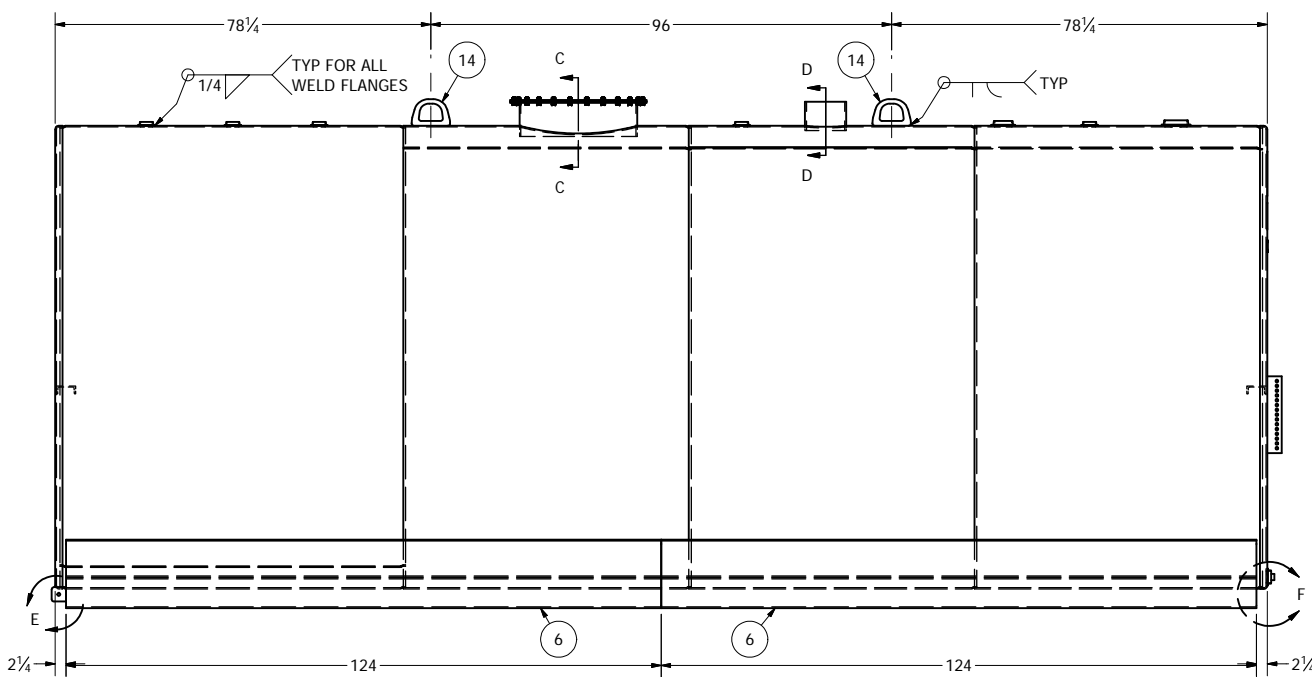
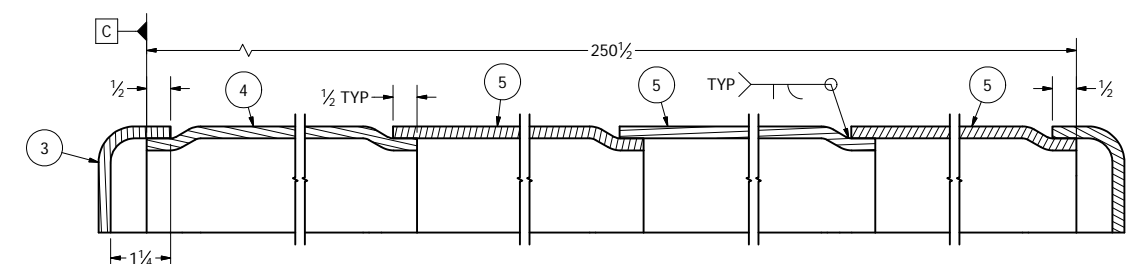


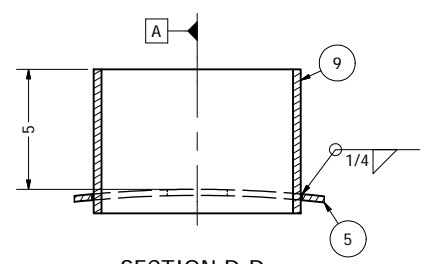
PARTS LIST					
ITEM	S/L ITEM#	QTY	DESCRIPTION	MASS	NOTES
1	2000-0105	1	Manway,Kit,24.0,SP,7.0n.,.25f.,.25c,TanF	99.195 lbmass	
2	TC00283	2	Bracket, DW Fill Box, .25x3x16	3.139 lbmass	
3	TC002574	2	Head,Circle,.250,96id,1.250Fing	539.582 lbmass	
4	TC002609	1	Shell,.250,96id,72,360d,Ofst2	1545.824 lbmass	
5	TC002568	3	Shell,.250,96id,60,360d,Ofst1	1287.423 lbmass	
6	3000-0502	4	Skid,96id,.250,124,58sp,STI	267.645 lbmass	
7	TC002379	1	Grounding Lug, .250,3.0x3.0,.625 Hole	0.609 lbmass	
8	TC000587	2	Channel,4.00x5.4x88	39.705 lbmass	
9	TB001384	1	Pipe,8,Sch40,6,TOE	14.292 lbmass	
10	TB002022	6	Weld Flange,Threaded,2,BLK	0.534 lbmass	
11	TB002024	1	Weld Flange,Threaded,3,BLK	1.210 lbmass	
12	TB001395	1	Plug,2.0,SqHd,150#,Thrd	1.435 lbmass	
13	TB002027	1	Weld Flange,Threaded,4,BLK	1.906 lbmass	
14	TB000904	2	Lift Lug,Large,16500#	5.186 lbmass	
15	TB000817	1	Holder,Brass Label	0.275 lbmass	
16	TB000821	1	Label,Emergency Relief,Brass,SW	0.035 lbmass	
17	TB000813	1	Label,SwRI Above Ground Storage Tank	0.002 lbmass	
18	3950-0008	1	Label,Steel Logo	0.048 lbmass	



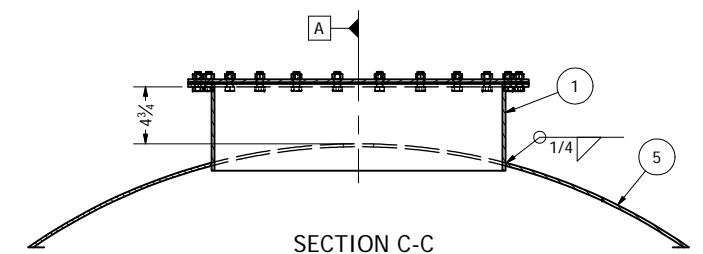
SECTION B-B  
SCALE 1/4



SECTION A-A  
SCALE 1/2



SECTION D-D  
SCALE 1/4



SECTION C-C  
SCALE 1/8

NOTES:  
1) FINISH:  
EXTERIOR: PRIME GREY, PAINT WHITE WITH FAST DRYING ENAMEL  
INTERIOR: NO FINISH

DATE	REV	DESCRIPTION	ECN NO.	BY
2/24/2015	0	RELEASE		Tstoll
2/18/2015	A	APPROVAL		Tstoll

	4401 West Main Fargo, ND 58103 Phone: 701-282-2345 Fax: 701-282-5516 TrueNorthSteel.com	PART#: 1004-0006 DESCRIPTION: Tank,H,8000,96x252,F081,Skid,0100
	UNLESS OTHERWISE SPECIFIED: UNITS = INCHES TOLERANCE: LINEAR ±1/8" ANGULAR ±1/2"	DRAWN: Tstoll DATE: 2/18/2015 CHECKED: DATE: