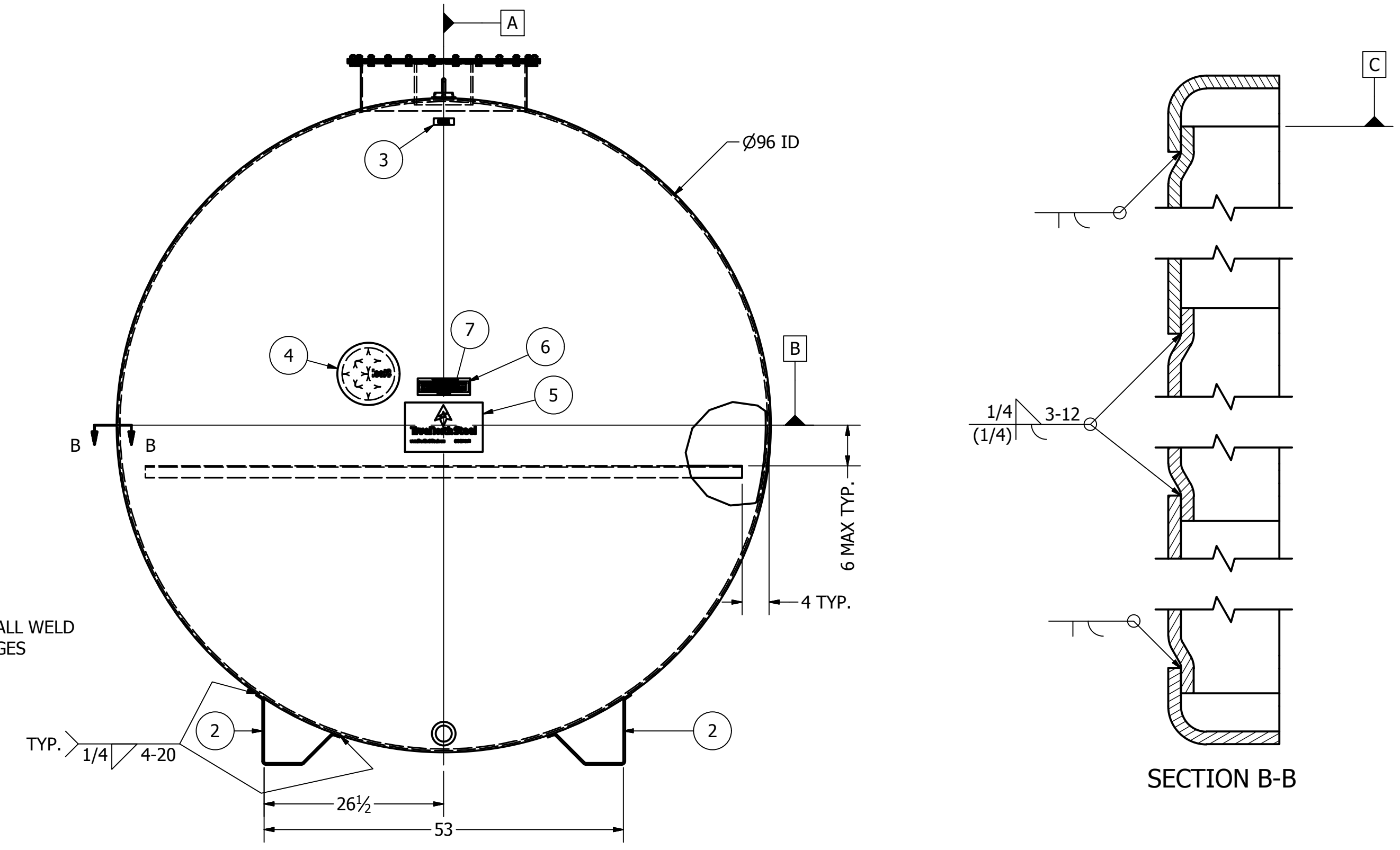
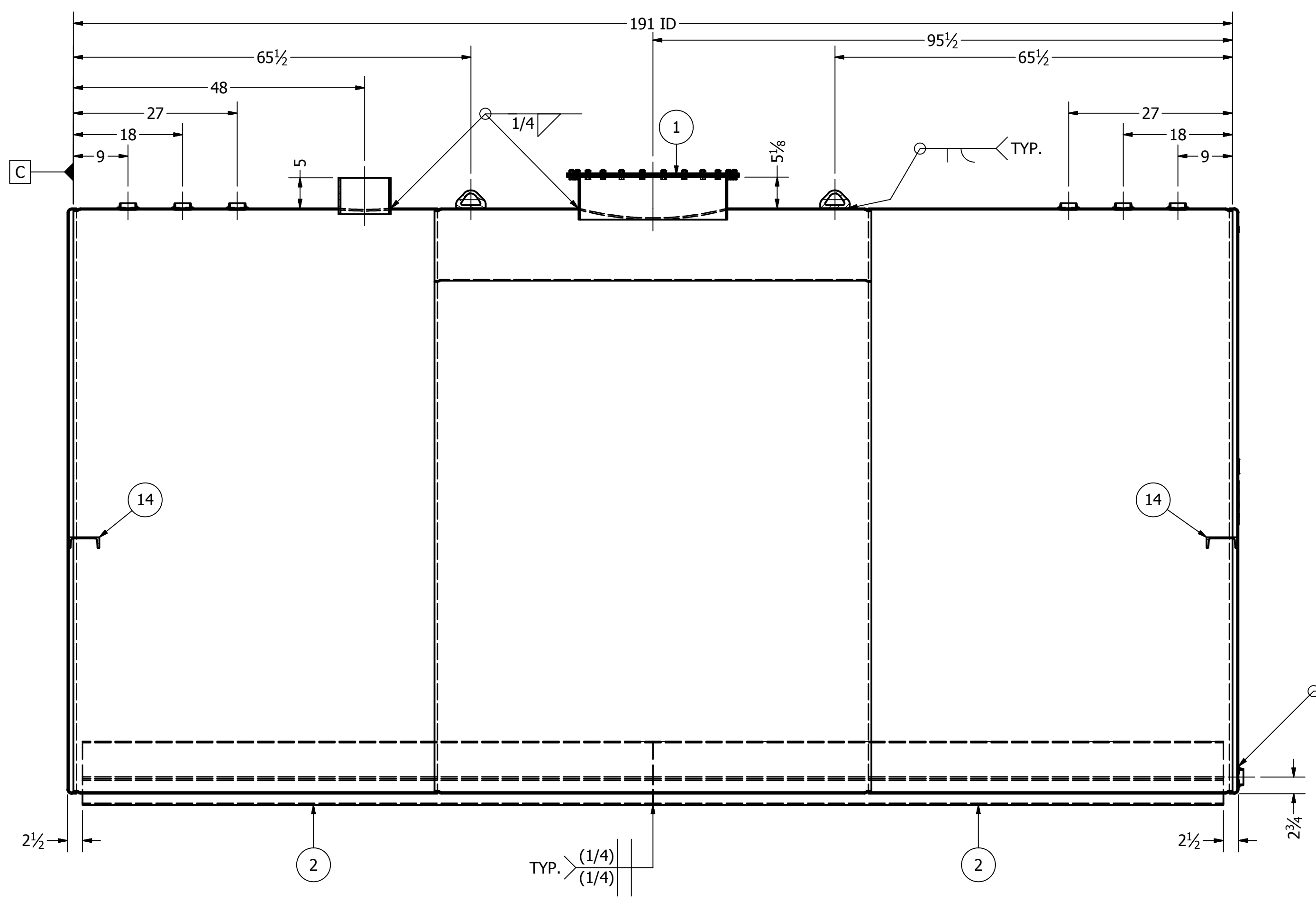
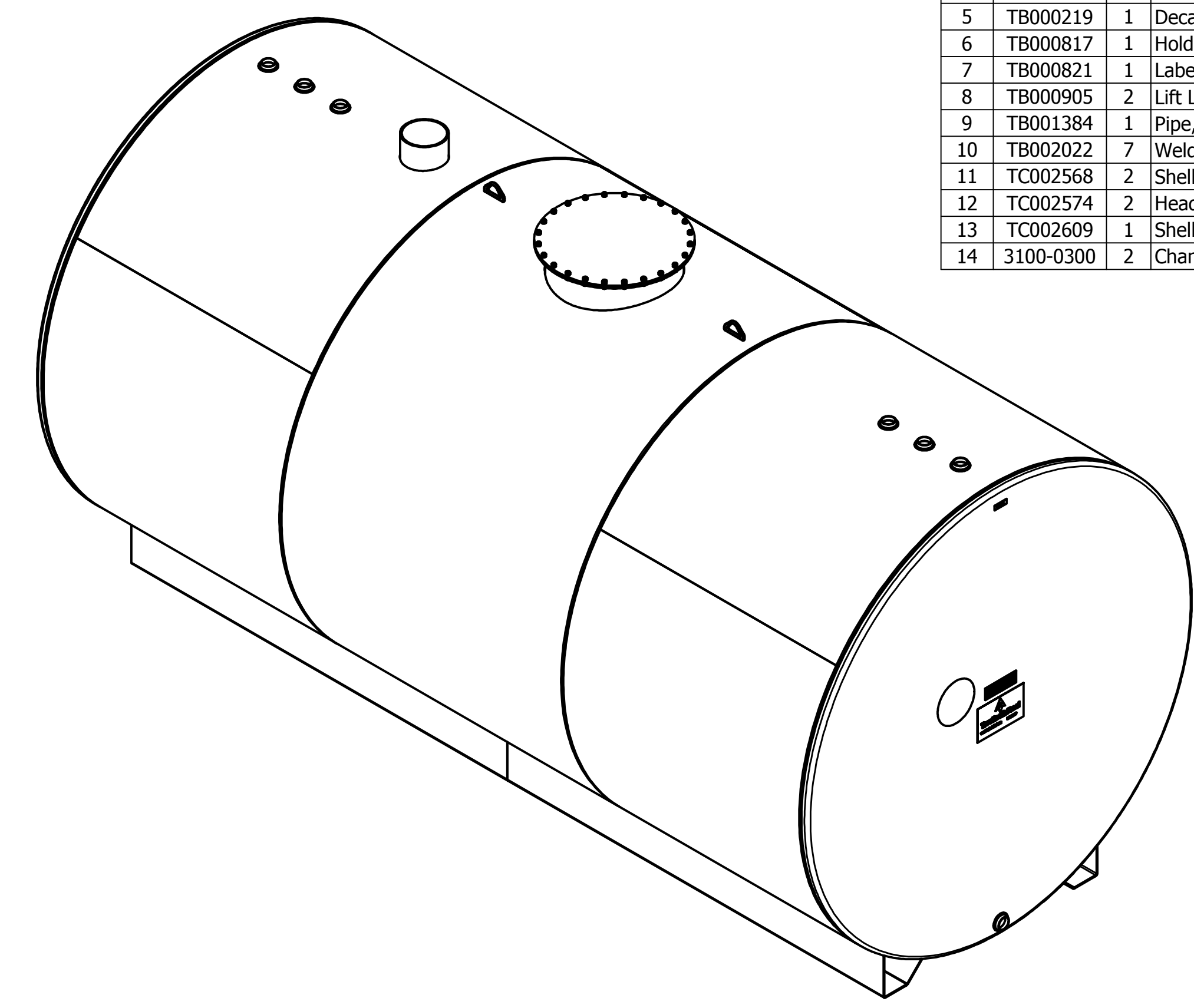
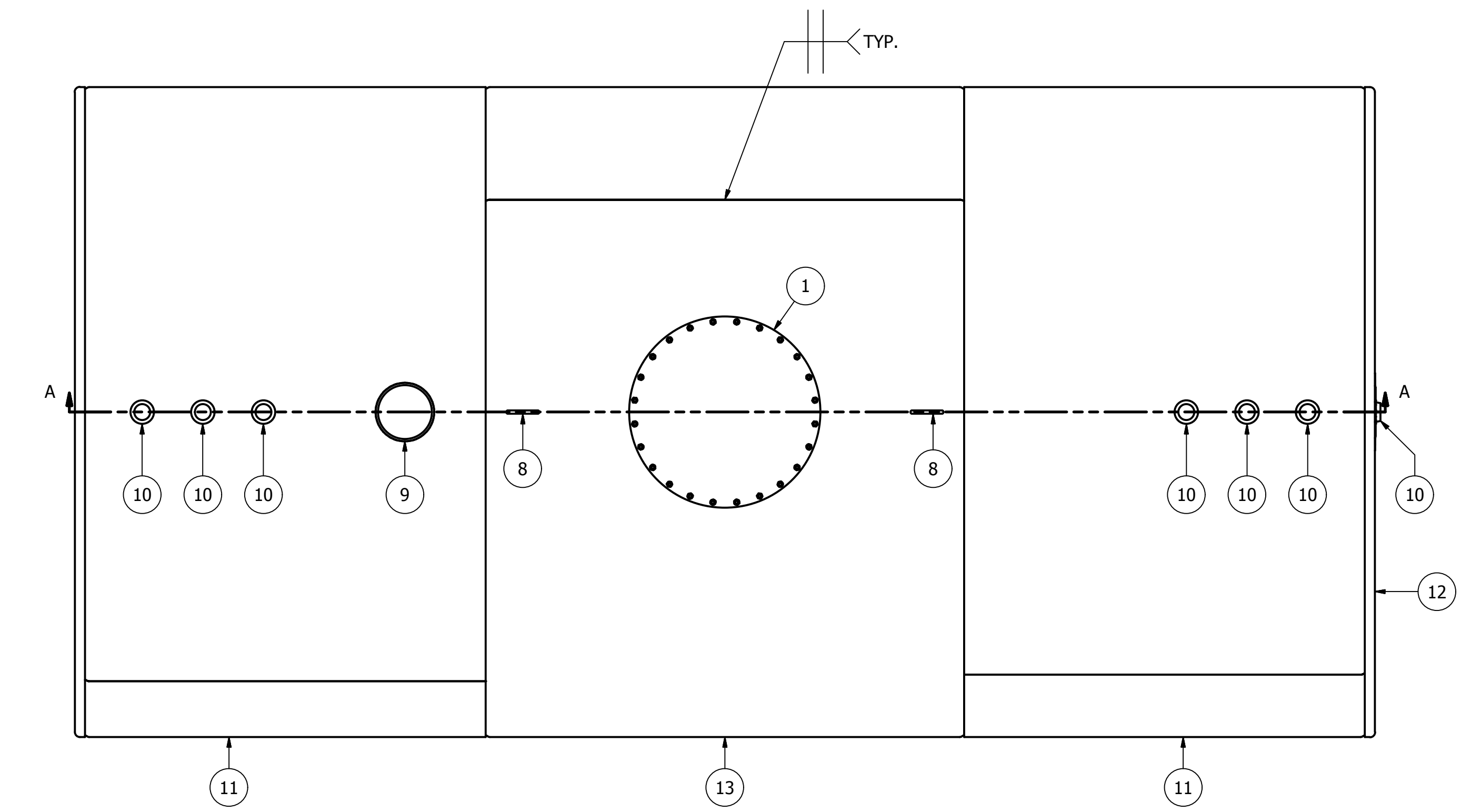


PARTS LIST					
ITEM	S/L ITEM#	QTY	DESCRIPTION	MASS	NOTES
1	2000-0105	1	Manway,Kit,24.0,SP,7.0n.,.25f.,.25c,TanF	97.844 lbmass	
2	3000-0586	4	Skid,SSP96,,250,94,53sp,STI	157.843 lbmass	
3	3950-0003	1	Label,Serial Number,1x3,Non-STI	0.014 lbmass	
4	3950-0008	1	Label,Steel Logo	0.059 lbmass	
5	TB000219	1	Decal,TrueNorth Steel,White	0.017 lbmass	
6	TB000817	1	Holder,Brass Label,Fargo	0.275 lbmass	3950-0036, HURON
7	TB000821	1	Label,Emergency Relief,Brass,SW	0.035 lbmass	
8	TB000905	2	Lift Lug,Small,6800#	0.806 lbmass	
9	TB001384	1	Pipe,8,Sch40,6,TOE	14.292 lbmass	
10	TB002022	7	Weld Flange,Threaded,2,BLK	0.534 lbmass	
11	TC002568	2	Shell,.250,96id,60,360d,Ofst1	1287.423 lbmass	
12	TC002574	2	Head,Circle,.250,96id,1.250Fing	539.583 lbmass	
13	TC002609	1	Shell,.250,96id,72,360d,Ofst2	1545.863 lbmass	
14	3100-0300	2	Channel,C5x6.7,88	49.212 lbmass	



SECTION A-A

SECTION B-B

- NOTES:
- FINISH:
EXTERIOR: PRIME GREY, WHITE PAINT W/FAST DRYING ENAMEL
INTERIOR: NO COATING
 - REQUIRED VENTING CAPACITY - 300,955.74(ft3/hr)
 - BUILD & TESTING
THIS TANK SHALL BE BUILT & TESTED IN ACCORDANCE WITH STI-F081 STANDARD FOR ABOVE GROUND TANKS

DATE	REV	DESCRIPTION	ECN NO.	BY
1/11/2016	1	ADDED HEAD BRACE	E2015-0498	DCLAUDE
1/5/2016	0	RELEASED	E2015-0498	DCLAUDE

 UNLESS OTHERWISE SPECIFIED: UNITS = INCHES TOLERANCE: LINEAR ±1/8" ANGULAR ±1/2"	DRAWN: DCLAUDE CHECKED: TWS DATE: 12/21/2015	4401 West Main Fargo, ND 58103 Phone: 701-282-2345 Fax: 701-282-5516 TrueNorthSteel.com	 PART#: 1004-0014 DESCRIPTION: Tank,H,6000,96x192,F081,Skid,0100 WEIGHT: 6006.281 lbmass SCALE: DO NOT SCALE DRAWING
	THIS DRAWING IS THE SOLE PROPERTY OF TRUENORTH STEEL INC. ANY COPIES/EDITS MADE WITHOUT THE WRITTEN CONSENT OF TRUENORTH STEEL, IS STRICTLY PROHIBITED.	SHEET 1 OF 1	