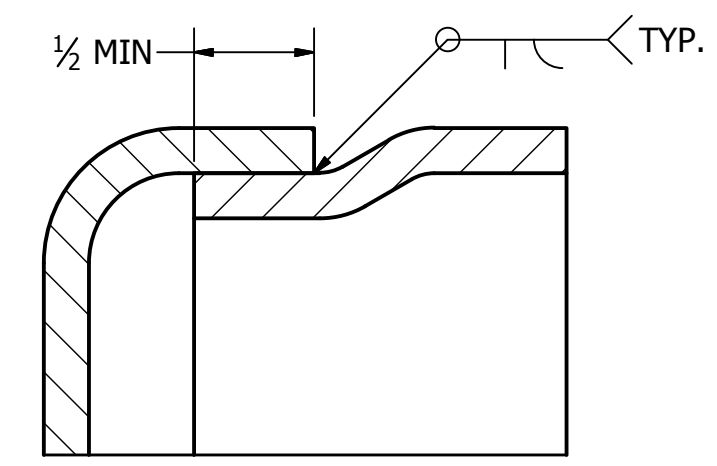
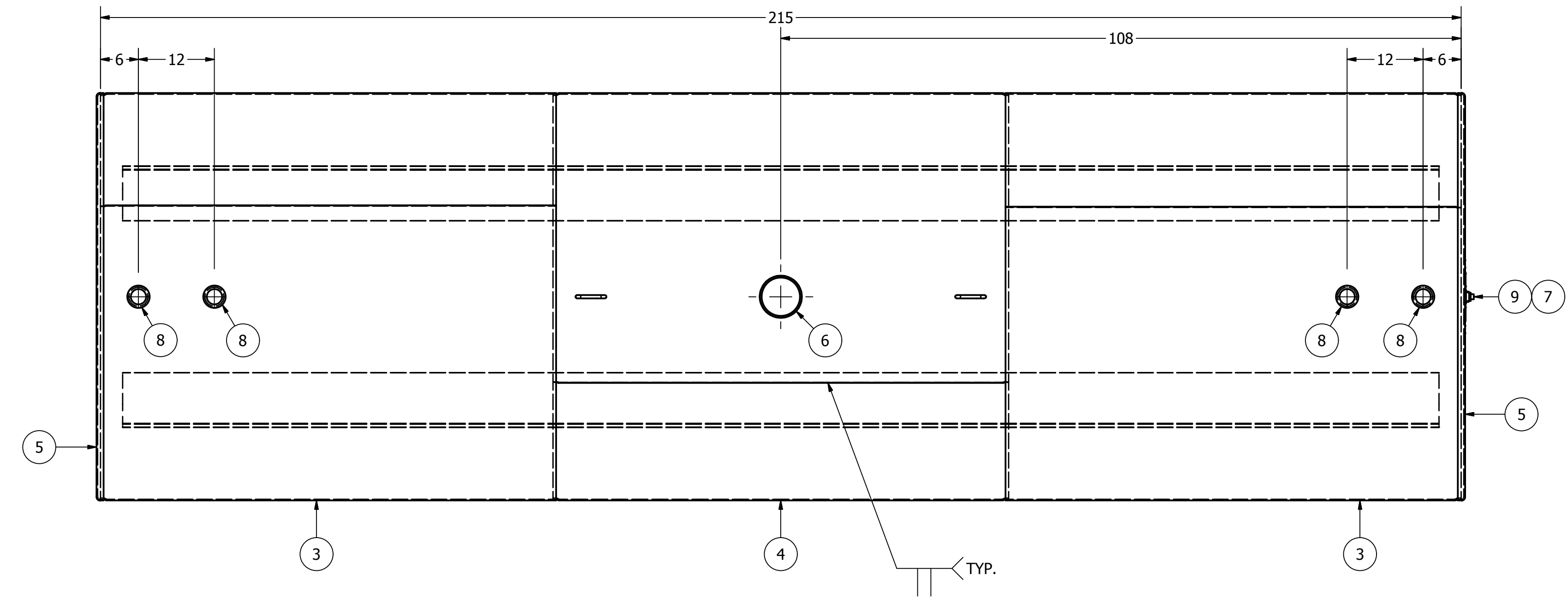
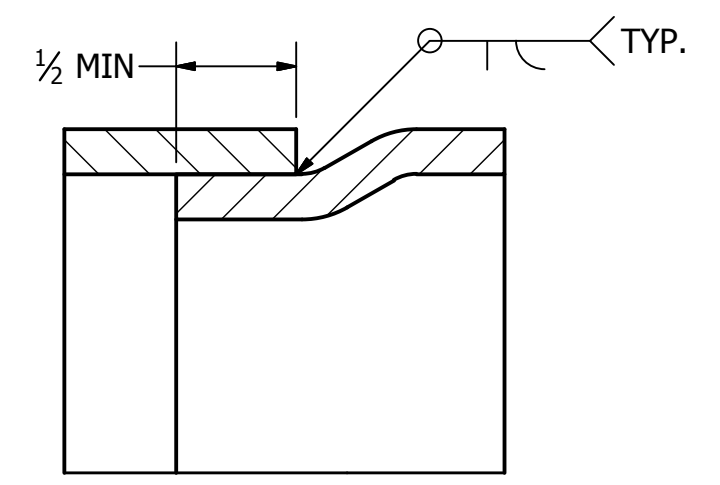


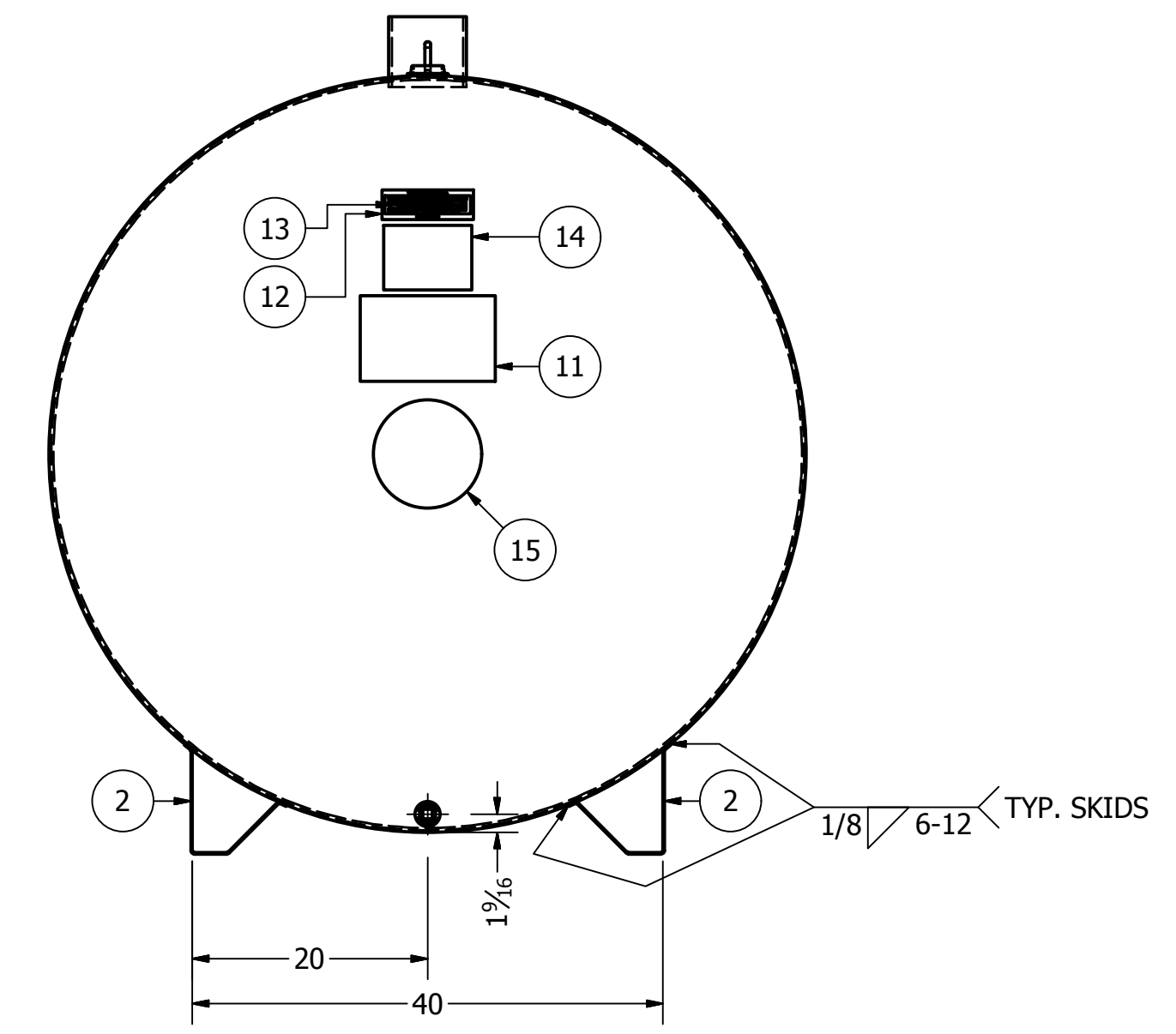
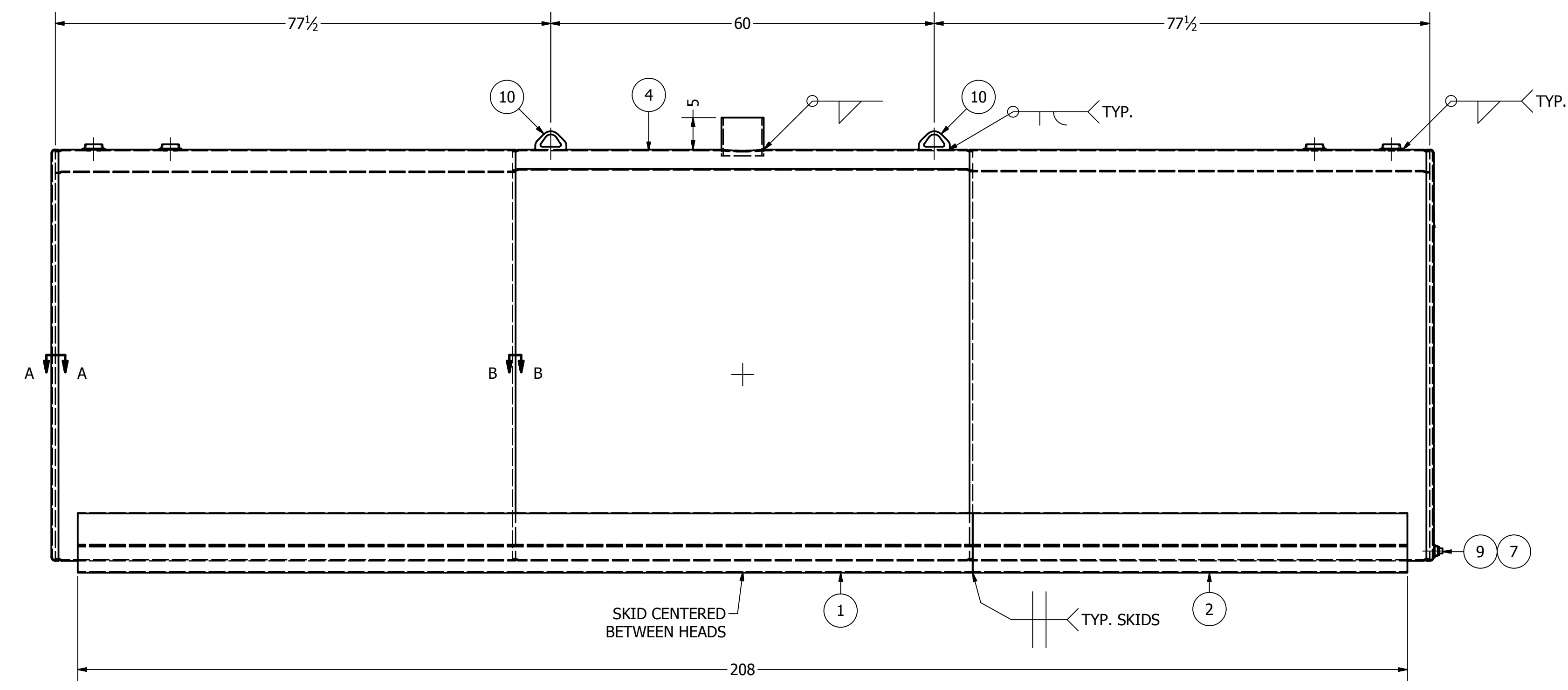
PARTS LIST					
ITEM	SL ITEM#	ITEM QTY	DESCRIPTION	MASS	NOTES
1	3000-0013	2	Skid,SSP64,.135,140,40sp,STI	102.965 lbmass	
2	3000-0014	2	Skid,SSP64,.135,68,40sp,STI	50.012 lbmass	
3	3000-0020	2	Shell,.188,64id,72,360d,Ofst1	774.519 lbmass	
4	3000-0021	1	Shell,.188,64id,72,360d,Ofst2	774.937 lbmass	
5	3000-0032	2	Head,Circle,.188,64id,.938flng	181.455 lbmass	
6	TB001382	1	Pipe,6,Sch40,6,TOE	9.497 lbmass	
7	TB002015	1	Weld Flange,Threaded,1,BLK	0.190 lbmass	
8	TB002022	4	Weld Flange,Threaded,2,BLK	0.534 lbmass	
9	TB002170	1	Pipe Plug,1,Square Head,BLK	0.378 lbmass	
10	TB000905	2	Lift Lug,Small,6800#	0.806 lbmass	
11	TB000220	1	Decal,TrueNorth Steel,White	0.016 lbmass	
12	TB000817	1	Holder,Brass Label	0.275 lbmass	
13	TB000821	1	Label,Emergency Relief,Brass,SW	0.035 lbmass	
14	TB000813	1	Label,SwRI Above Ground Storage Tank	0.002 lbmass	
15	3950-0008	1	Label,Steel Logo	0.048 lbmass	



SECTION A-A



SECTION B-B



- NOTES:
- FINISH:
EXTERIOR - PRIME AND WHITE
INTERIOR - NONE
 - VENT CAPACITY:
TOTAL VENTING CAPACITY-244,046.60(ft³/hr)
 - FITTING LOCATIONS:
DIMENSIONS ALONG TOP LONGITUDINAL CENTER LINE BASED OFF EDGE OF SHELL
 - BUILD & TESTING
THIS TANK SHALL BE BUILT & TESTED IN ACCORDANCE WITH STI-F081 STANDARD FOR ABOVE GROUND TANKS

DATE	REV	DESCRIPTION	ECN NO.	REV BY
7/1/2015	2	CHANGED MATERIAL THICKNESS FROM 10GA TO 3/16	E2015-0173	DCLAUDE
6/2/2015	1	UPDATE SKID PROFILE	E2015-0068	TWS
12/31/2014	0	RELEASED		DCLAUDE
		REVISION HISTORY		

 UNLESS OTHERWISE SPECIFIED: UNITS = INCHES TOLERANCE: LINEAR ±1/8" ANGULAR ±1/2"	DRAWN: DCLAUDE CHECKED: DATE	DATE: 10/14/2014	PART#: 1004-0003 DESCRIPTION: Tank,H,3000,64x216,F081,Skid,0100 WEIGHT: 3003.536 lbmass SCALE: DO NOT SCALE DRAWING
	4401 West Main Fargo, ND 58103 Phone: 701-282-2345 Fax: 701-282-5516 TrueNorthSteel.com		

THIS DRAWING IS THE SOLE PROPERTY OF TRUENORTH STEEL INC. ANY COPIES/EDITS MADE WITHOUT THE WRITTEN CONSENT OF TRUENORTH STEEL, IS STRICTLY PROHIBITED.