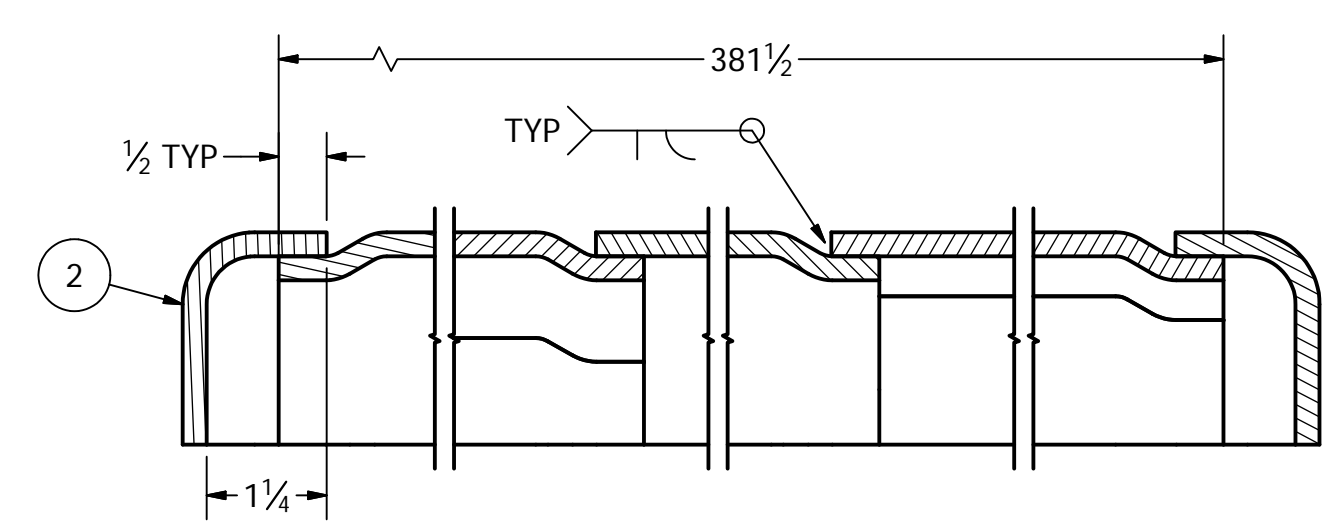
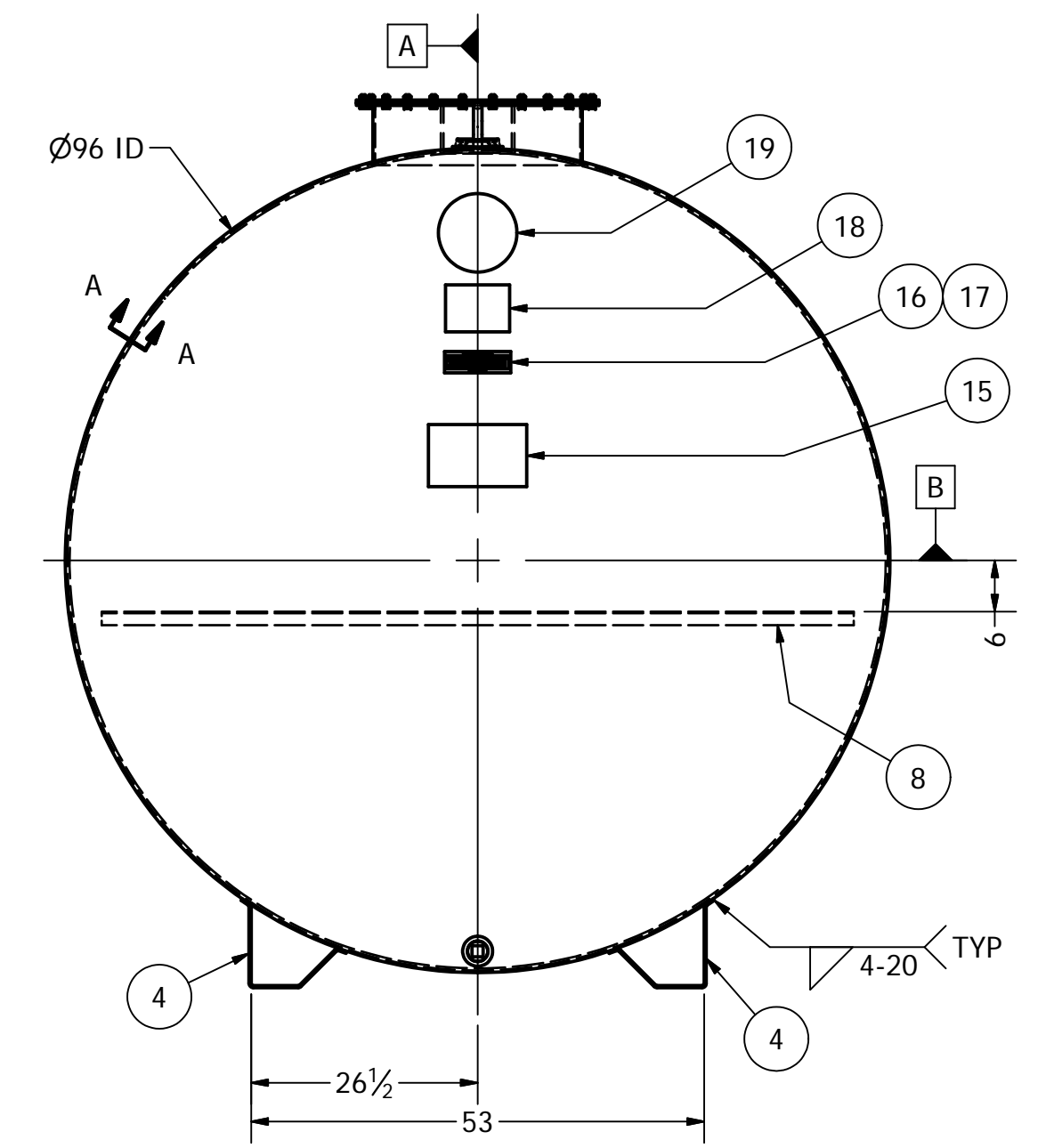
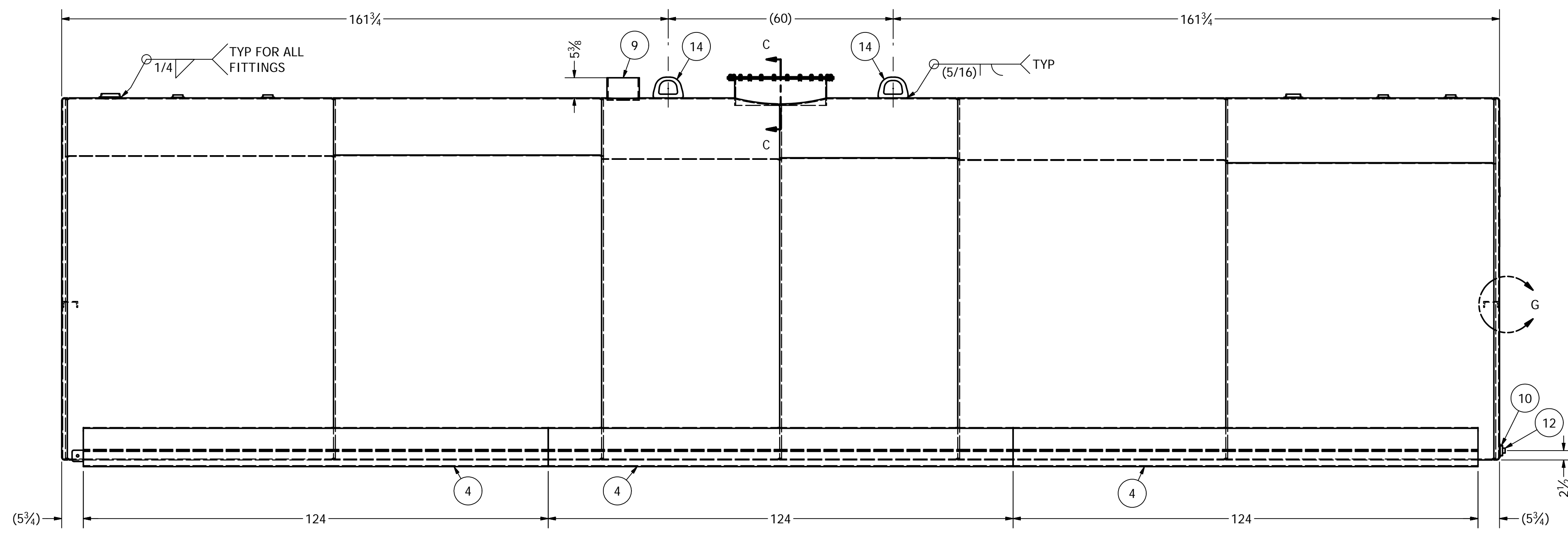
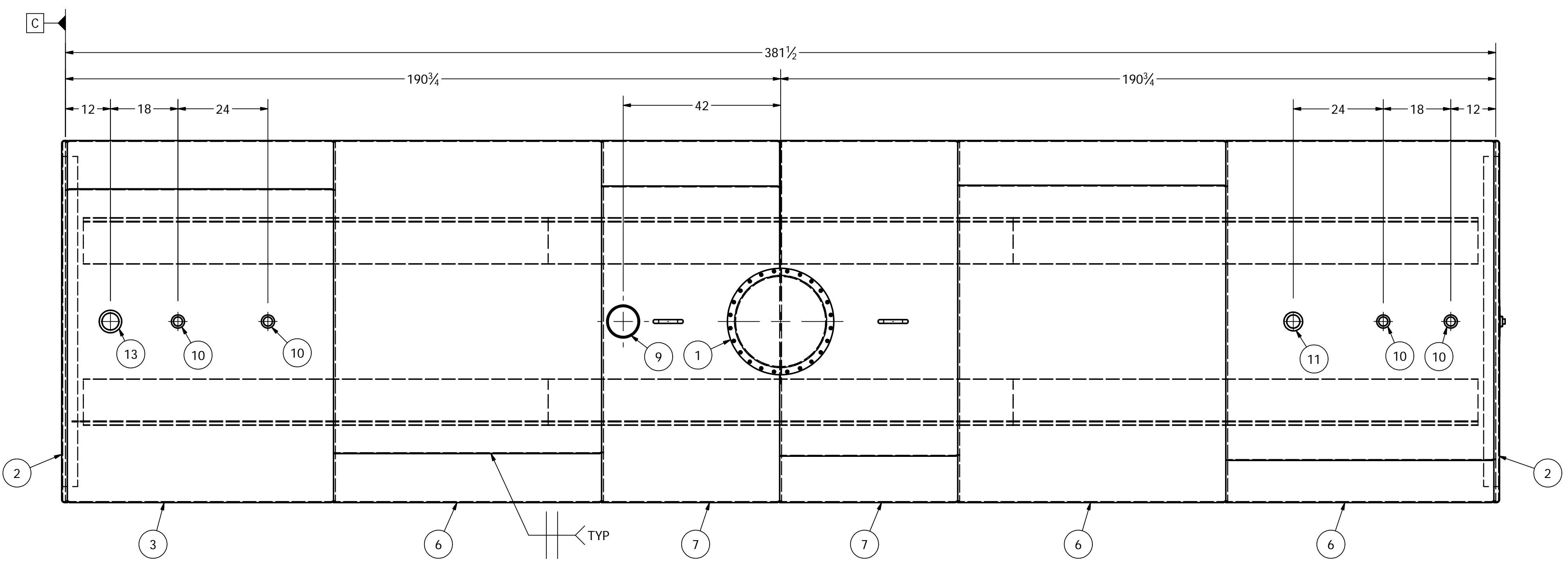
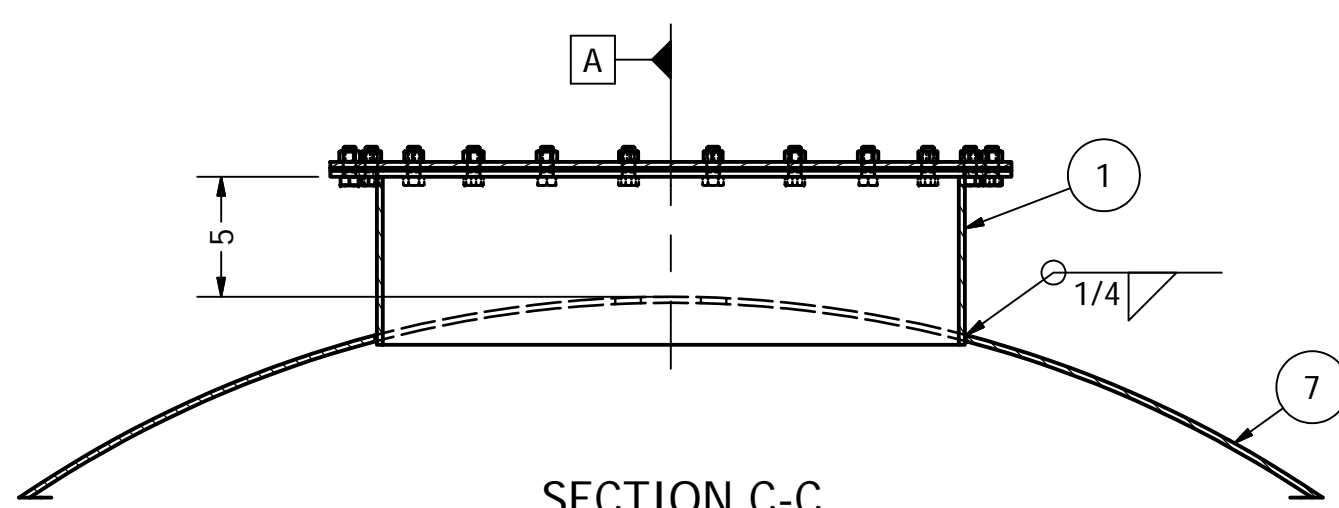


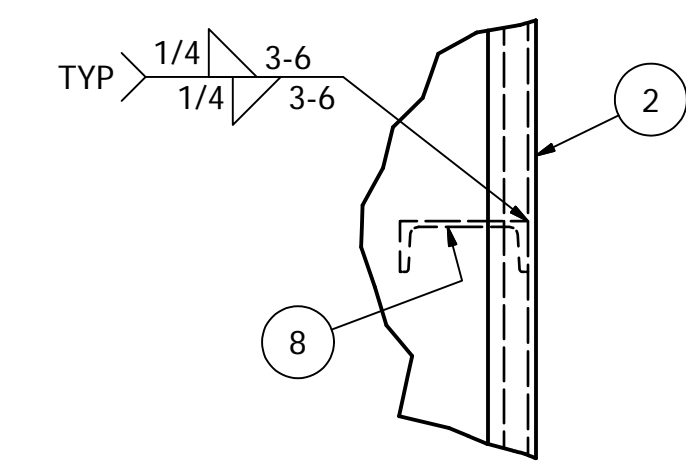
PARTS LIST					
ITEM	S/L ITEM#	QTY	DESCRIPTION	MASS	NOTES
1	2000-0105	1	Manway,Kit,24.0,SP,7.0n,.25f,.25c,TanF	97.844 lbmass	
2	TC002574	2	Head,Circle,.250,96id,1.250FInG	539.582 lbmass	
3	TC002609	1	Shell,.250,96id,72,360d,Ofst2	1545.824 lbmass	
4	3000-0502	6	Skid,SSP96,.250,124.53sp,STI	207.688 lbmass	
5	TC002379	1	Grounding Lug,.250,3.0x3.0,.625 Hole	0.609 lbmass	
6	3000-0651	3	Shell,.250,96id,72,360d,Ofst1	1544.717 lbmass	
7	3000-0953	2	Shell,.250,96id,48,360d,Ofst1	1030.193 lbmass	
8	TC000587	2	Channel,4.00x5.4x88	39.705 lbmass	
9	TB001384	1	Pipe,8,Sch40,6,TOE	14.292 lbmass	
10	TB002022	5	Weld Flange,Threaded,2,BLK	0.534 lbmass	
11	TB002024	1	Weld Flange,Threaded,3,BLK	1.210 lbmass	
12	TB001395	1	Plug,2.0,SqHd,150#,Thrd	1.435 lbmass	
13	TB002027	1	Weld Flange,Threaded,4,BLK	1.906 lbmass	
14	TB000904	2	Lift Lug,Large,16500#	5.186 lbmass	
15	TB000219	1	Label,TrueNorth Steel,Black	0.016 lbmass	
16	TB000817	1	Holder,Brass Label,Fargo	0.275 lbmass	3950-0036, HURON
17	TB000821	1	Label,Emergency Relief,Brass,SW	0.035 lbmass	
18	TB000813	1	Label,SwRI Above Ground Storage Tank	0.002 lbmass	
19	3950-0008	1	Label,Steel Logo	0.048 lbmass	



SECTION A-A



SECTION C-C



DETAIL G

NOTES:
 1) FINISH:
 EXTERIOR: PRIME GREY, WHITE PAINT W/FAST DRYING ENAMEL
 INTERIOR: NO COATING
 2) REQUIRED VENTING CAPACITY - 420,290.24(ft³/hr)
 3) BUILD & TESTING
 THIS TANK SHALL BE BUILT & TESTED IN ACCORDANCE WITH STI-F081 STANDARD FOR ABOVE GROUND TANKS

DATE	REV	DESCRIPTION	ECN NO.	BY
7/29/2015	2	ADD WELD SIZE FOR LIFT LUG		TWS
7/28/2015	1	CHANGE LOCATION OF EVENT/LIFT LUGS	E2015-0237	TWS
7/20/2015	0	RELEASE	E2015-0219	TWS
7/17/2015	A	APPROVAL		TWS

 UNLESS OTHERWISE SPECIFIED: UNITS = INCHES TOLERANCE: LINEAR ±1/8" ANGULAR ±1/2"	DRAWN TWS CHECKED DC DATE 7/20/2015	DATE 7/17/2015 DATE 7/20/2015	PART#: 1004-0011 DESCRIPTION: Tank,H,12000,96x384,F081,Skid,0100 WEIGHT: 10732.808 lbmass SCALE DO NOT SCALE DRAWING
	4401 West Main Fargo, ND 58103 Phone: 701-282-2345 Fax: 701-282-5516 TrueNorthSteel.com		