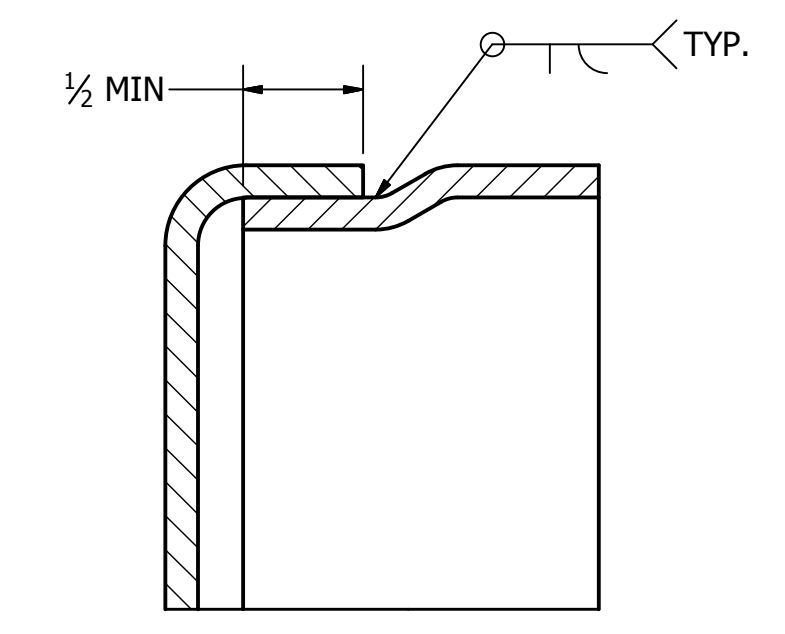
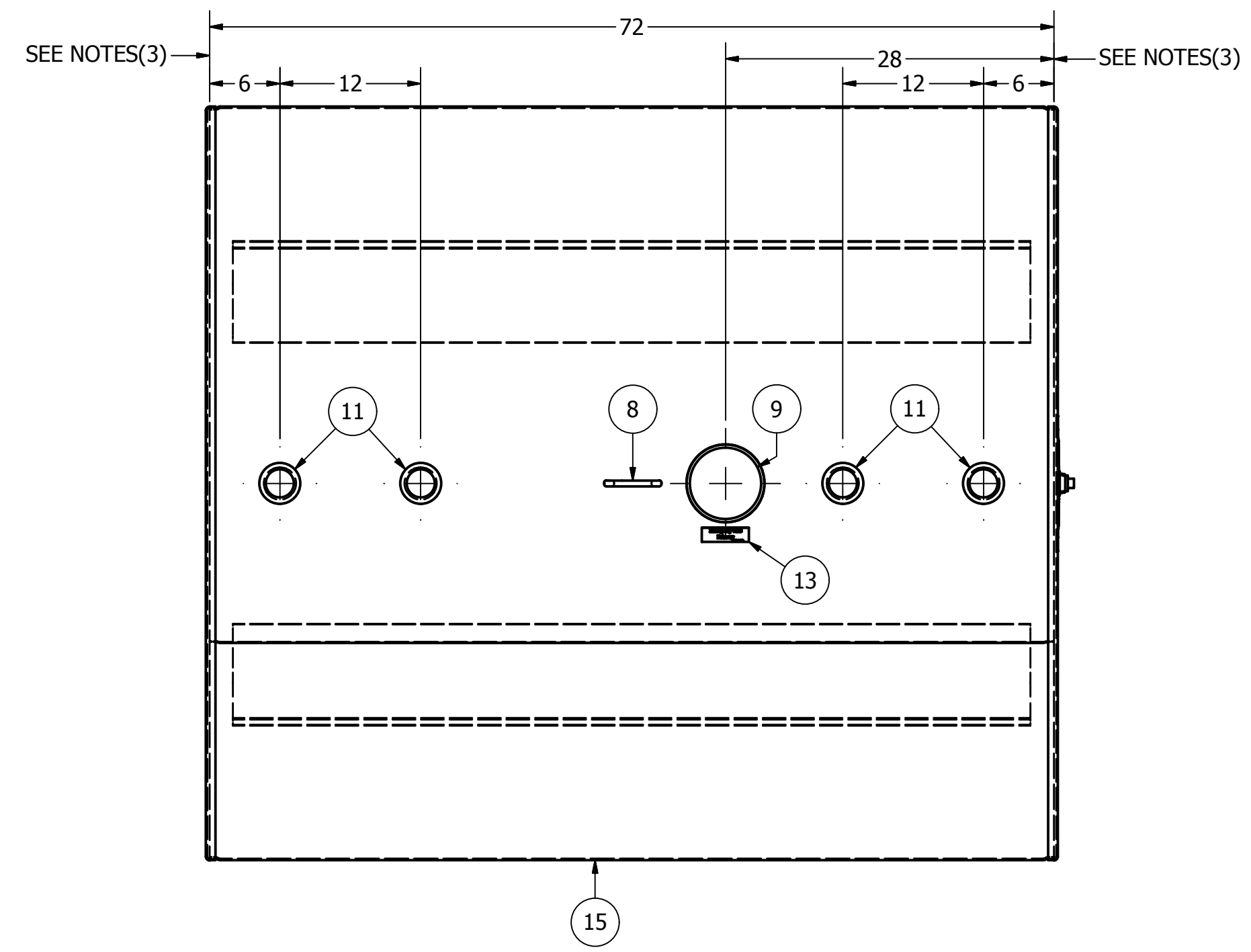
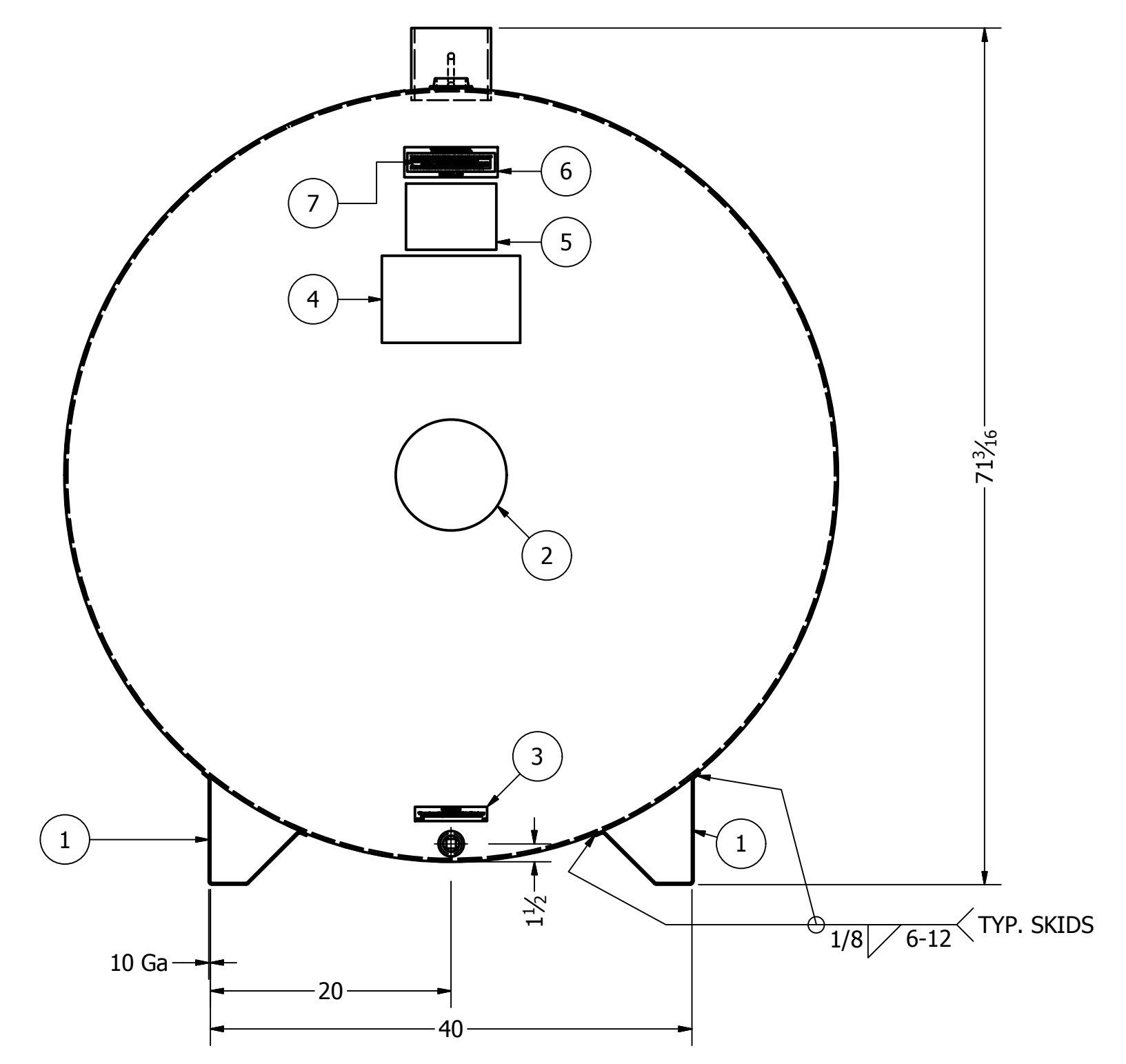
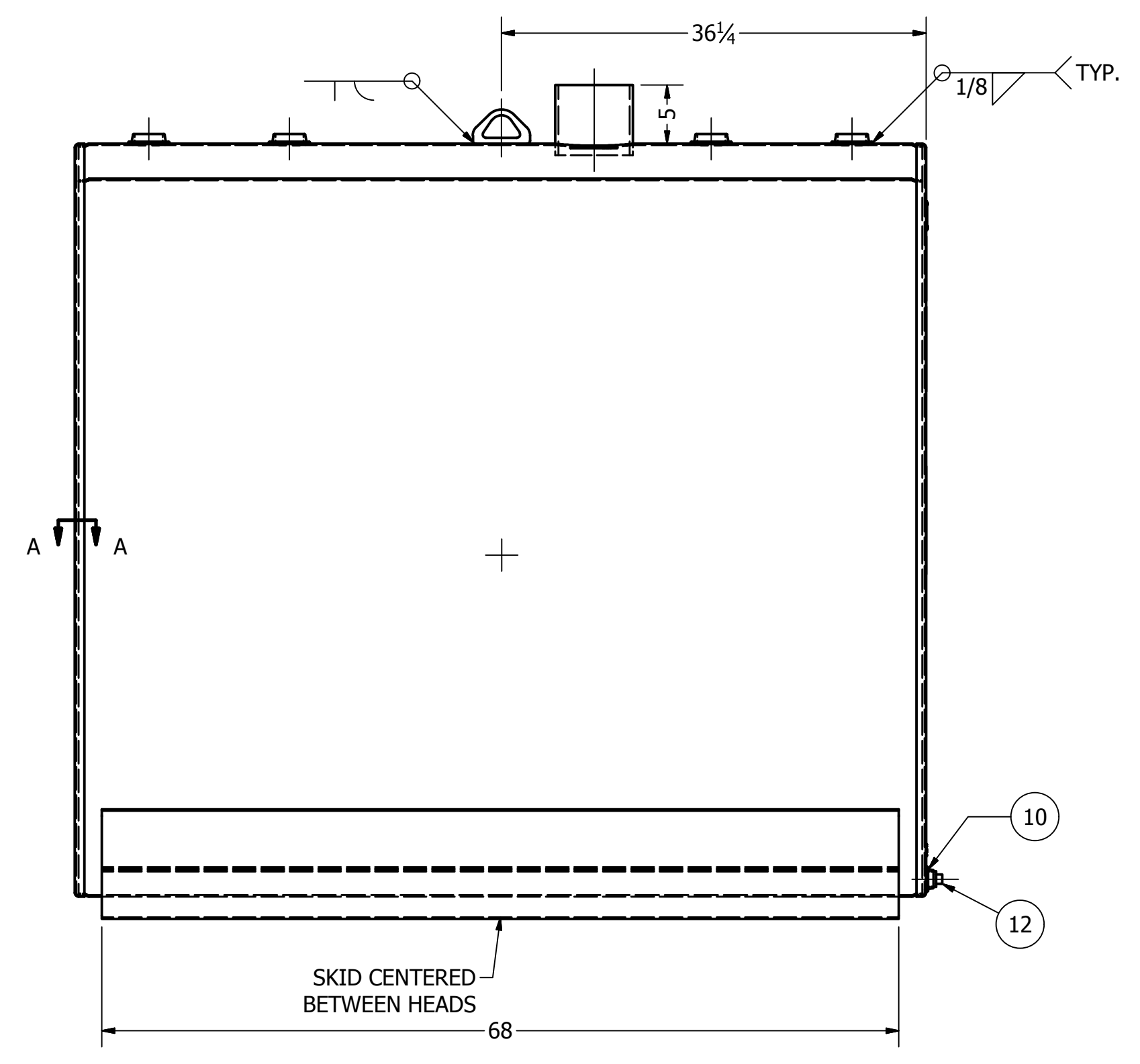


QC	LAYOUT	DIM. INSP.	WELDER:	WELD INSP.:	COATING:	COAT. INSP.:	COMP. DATE:	HEAT #:
----	--------	------------	---------	-------------	----------	--------------	-------------	---------



SECTION A-A



PARTS LIST					
ITEM	SL ITEM#	ITEM QTY	DESCRIPTION	MASS	NOTES
1	3000-0014	2	Skid,SSP64,.135,68,40sp,STI	50.012 lbmass	
2	3950-0008	1	Label,Steel Logo	0.048 lbmass	
3	3950-0019	1	Label,Opening Liquid Tight,Caution	0.042 lbmass	
4	TB000219	1	Label,TrueNorth Steel,Black	0.016 lbmass	
5	TB000813	1	Label,SwRI Above Ground Storage Tank	0.002 lbmass	
6	TB000817	1	Holder,Brass Label,Fargo	0.275 lbmass	3950-0036, HURON
7	TB000821	1	Label,Emergency Relief,Brass,SW	0.035 lbmass	
8	TB000905	1	Lift Lug,Small,6800#	0.806 lbmass	
9	TB001382	1	Pipe,6,Sch40,6,TOE	9.497 lbmass	
10	TB002015	1	Weld Flange,Threaded,1, BLK	0.190 lbmass	
11	TB002022	4	Weld Flange,Threaded,2,BLK	0.534 lbmass	
12	TB002170	1	Pipe Plug,1,Square Head,BLK	0.378 lbmass	
13	TB002202	1	Label,Emergency Vent Primary	0.029 lbmass	
14	TC000163	2	Head,Circle,.135,64id,.688fing	128.627 lbmass	
15	TC003119	1	Shell,.135,64id,72,360d,Ofst2	553.780 lbmass	

DATE	REV	DESCRIPTION	ECN NO.	REV BY
10/22/2015	2	UPDATE SKID TO 10 GA FOR STI	E2015-0410	JLK
6/2/2015	1	UPDATE SKID PROFILE	E2015-0068	TWS
12/31/2014	0	RELEASED		DCLAUDE

DATE	REV	DESCRIPTION	ECN NO.	REV BY

NOTES:
 1) FINISH:
 EXTERIOR - PRIME AND WHITE
 INTERIOR - NONE
 2) VENT CAPACITY:
 TOTAL VENTING CAPACITY-114,353.97(ft³/hr)
 3) FITTING LOCATIONS:
 DIMENSIONS ALONG TOP LONGITUDINAL CENTER
 LINE BASED OFF EDGE OF SHELL
 4) BUILD & TESTING
 THIS TANK SHALL BE BUILT & TESTED IN ACCORDANCE
 WITH STI-F081 STANDARD FOR ABOVE GROUND TANKS

 UNLESS OTHERWISE SPECIFIED: UNITS = INCHES TOLERANCE: LINEAR ±1/8" ANGULAR ±1/2"	DRAWN: DCLAUDE CHECKED: DATE	DATE: 10/10/2014	PART#: 1004-0001 DESCRIPTION: Tank,H,1000,64x72,F081,Skid,0100
	THIS DRAWING IS THE SOLE PROPERTY OF TRUENORTH STEEL INC. ANY COPIES/EDITS MADE WITHOUT THE WRITTEN CONSENT OF TRUENORTH STEEL, IS STRICTLY PROHIBITED.		WEIGHT: 922.189 lbmass SCALE: DO NOT SCALE DRAWING

