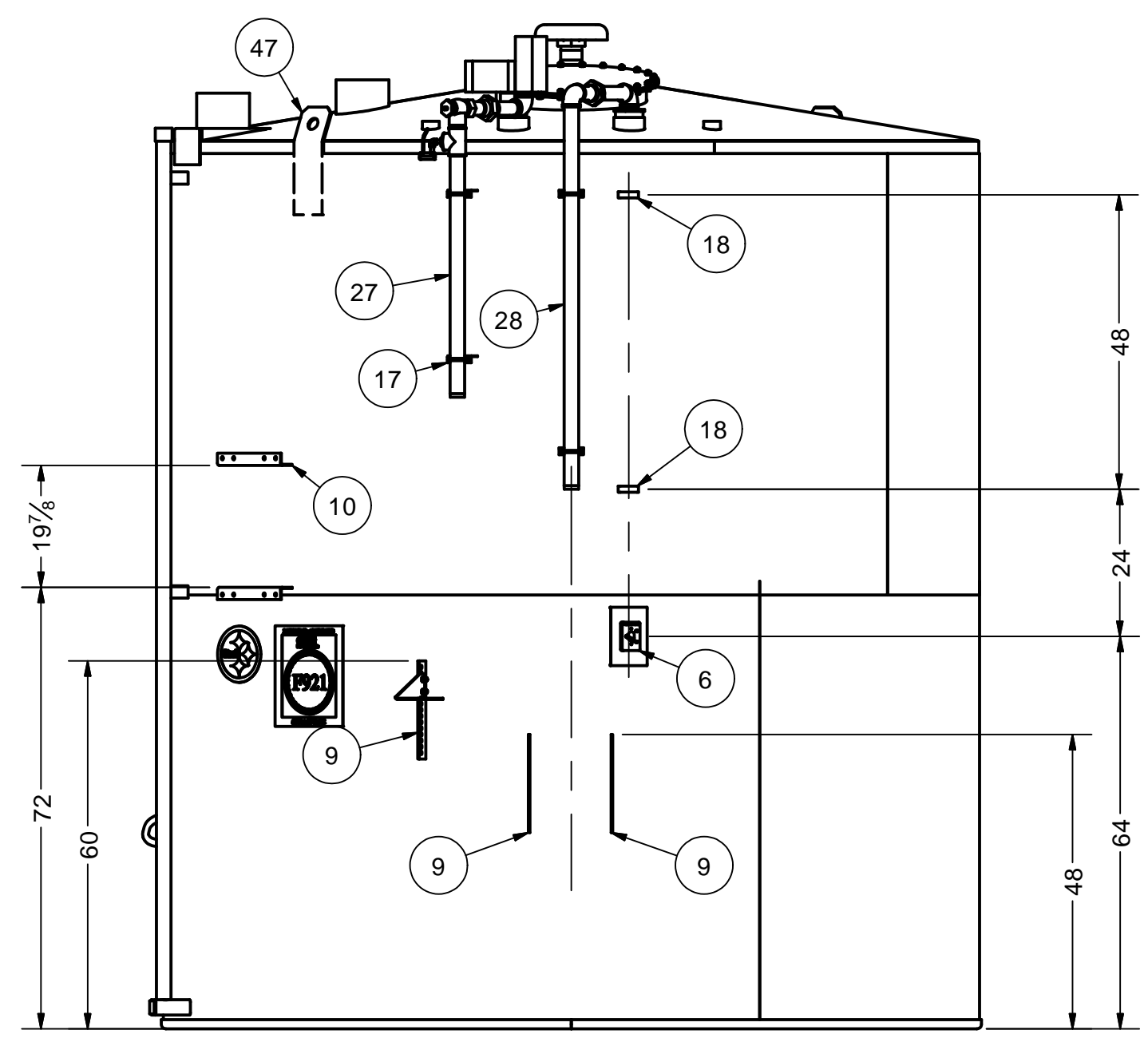
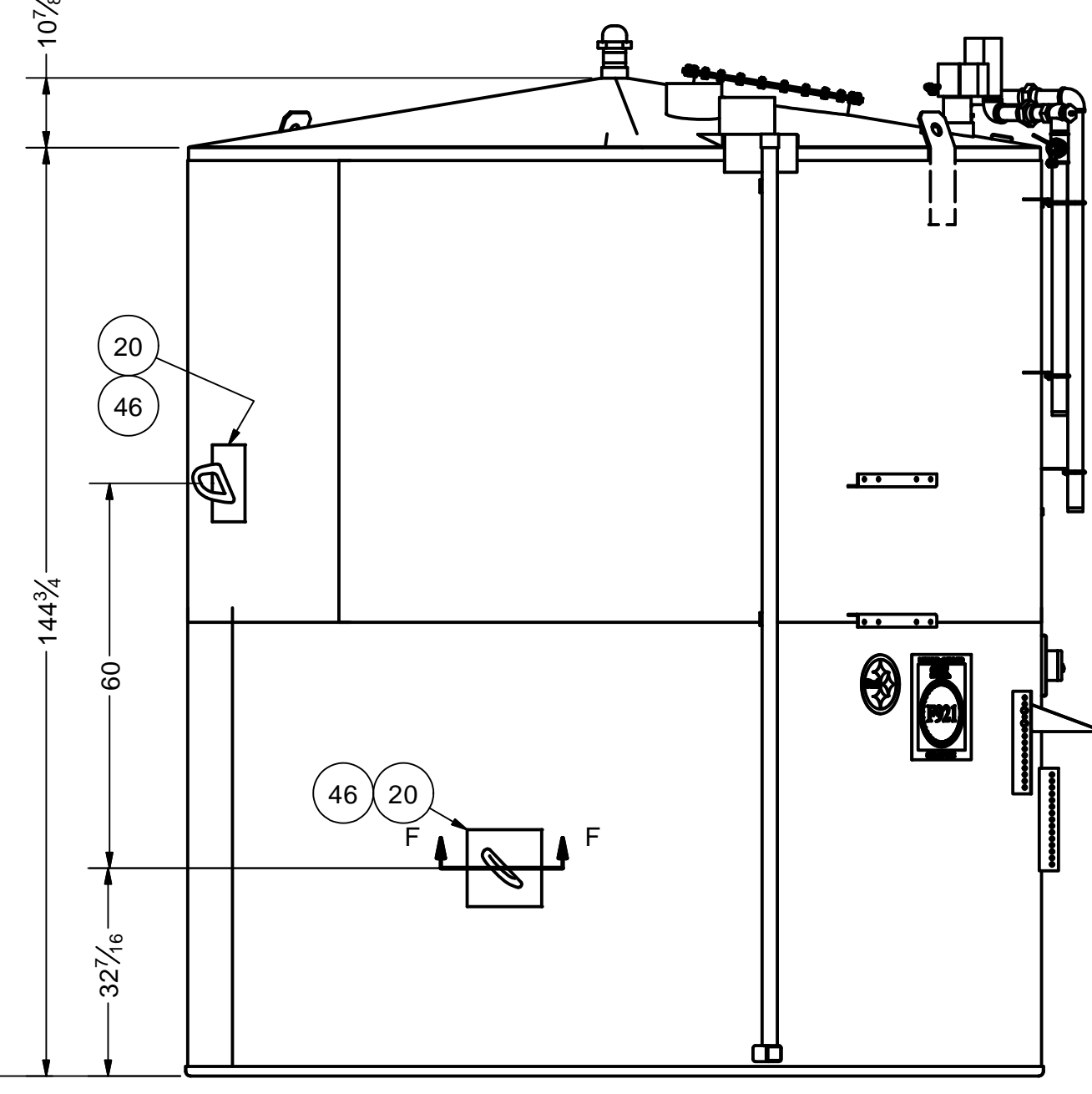
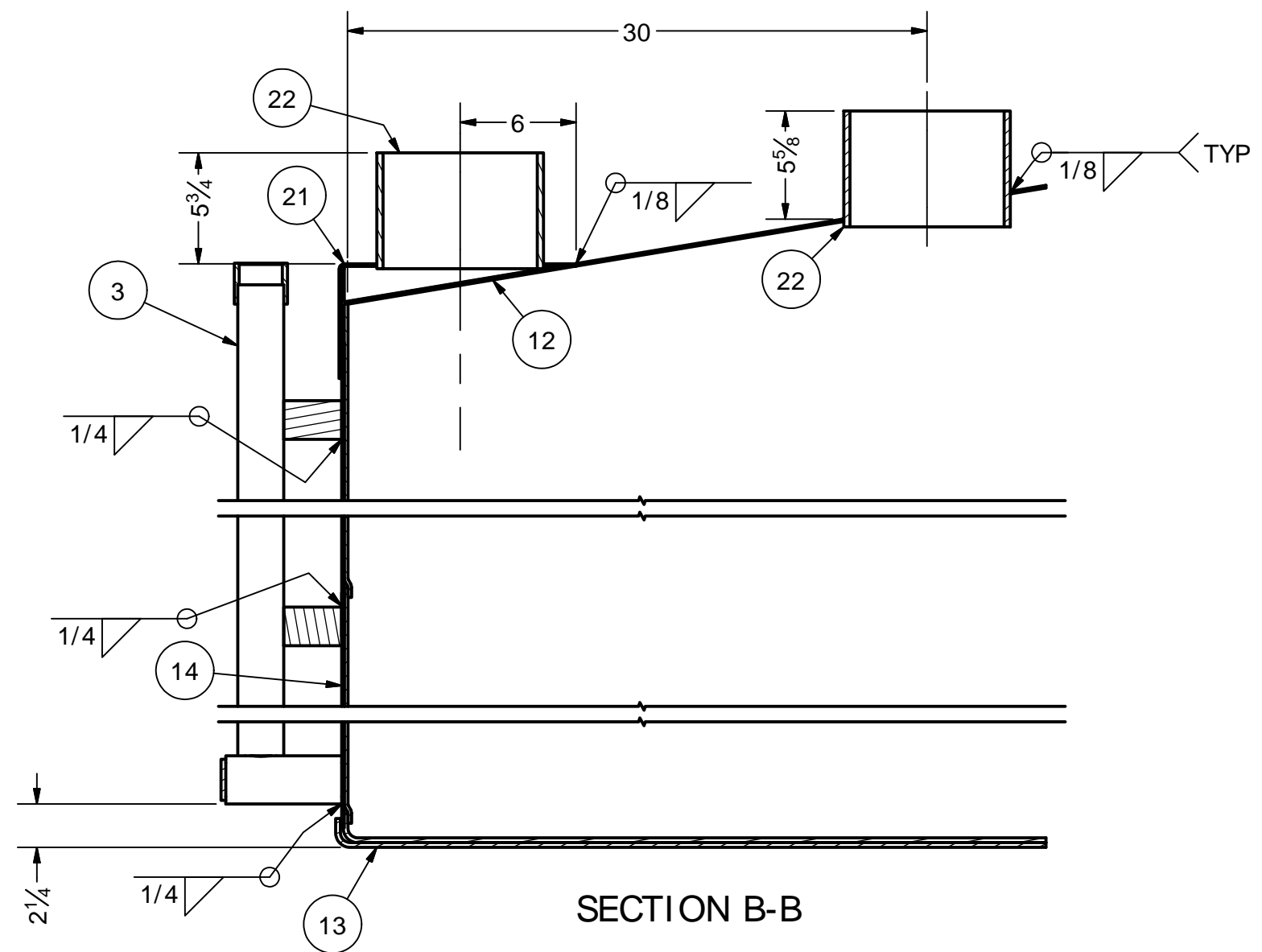
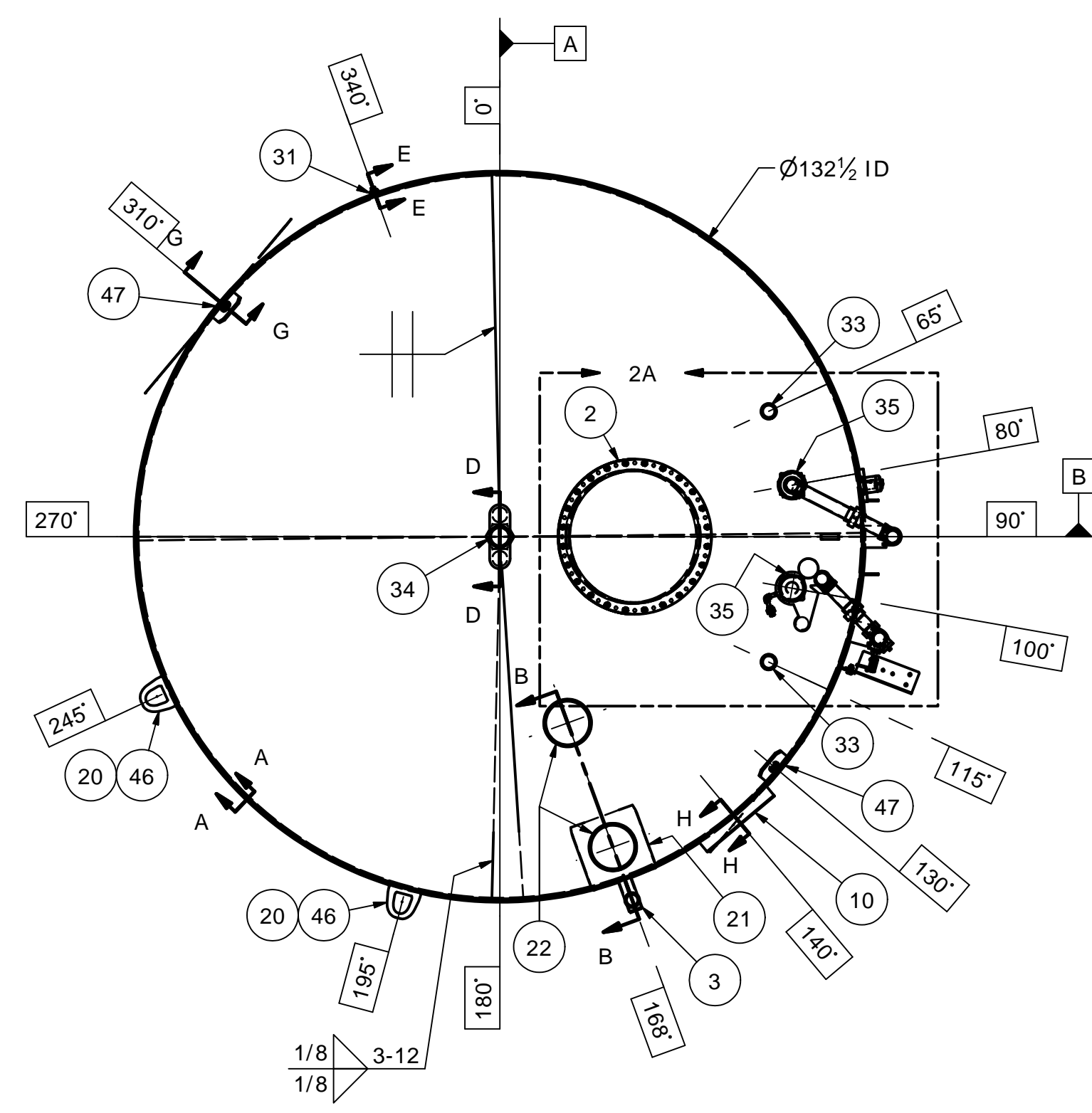


QC	LAYOUT	DIM. INSP.	WELDER	WELD INSP.	COATING	COAT. INSP.	COMP. DATE	HEAT #:
----	--------	------------	--------	------------	---------	-------------	------------	---------



PARTS LIST					
ITEM	S/L ITEM#	QTY	DESCRIPTION	MASS	NOTES
1	TB000811	1	Label Kit, F921	0.298 lbmass	
2	2000-0011	1	Manway, Kit, 24.0, SP, 3.5n., 250f., 250c, BunaN	78.914 lbmass	
3	2000-0014	1	Monitor Pipe Assy, 144 Vert Tank	47.976 lbmass	
4	2000-0019	1	Pressure Relief Kit, .25 pipe, 24 Hose	1.572 lbmass	
5	TB002284	1	Submersible Pump Kit, STP75-VL3-07 .75hp	142.180 lbmass	
6	2000-0041	1	Switch Kit, Submersible Pump, 0.75hp	3.426 lbmass	
7	3000-0049	2	Head, Half, .250, 132.5id, 1.25flng	507.65500 lbmass	
8	3000-0050	1	Head, Half, .135, 132.5id, Coned, OL, 2.0ctr	270.306 lbmass	
9	TC000283	3	Bracket, DW Fill Box, .25x3x16	3.139 lbmass	
10	TC000663	2	Bracket, Reel For Vert Tanks LAN0191	3.290 lbmass	
11	3000-0059	2	Shell, .188, 132.5id, 72, 360d, Ofst1	1601.119 lbmass	
12	3000-0068	1	Head, Half, .135, 132.5id, Cone, Hole, OL, 2ctr	248.382 lbmass	
13	3000-0072	2	Head, Half, .250, 133.270id, 1.25flng	512.813 lbmass	
14	3000-0087	4	Shell, wrap, .135, 132.875id, 72, 181d	579.137 lbmass	
15	TC001037	1	Bracket, Filter, .188x4x13	3.912 lbmass	
16	TC000509	4	Bracket, Pipe For DW Vert, 10ga, 4x11	3.264 lbmass	
17	TB000842	4	Bracket, 2.0 U-Bolt, 12ga, 1x4x4	0.586 lbmass	
18	TC000681	3	Bracket, U-Shape, 10ga, .75x1x3	0.165 lbmass	
19	TC000683	1	Bracket, U-Shape, 10ga, 1x9.25x6	2.535 lbmass	
20	3000-0105	2	Reinforcement Plate, .250, 12x12, 132 Tank	10.229 lbmass	
21	3000-0656	1	E-Vent Platform, .135, 2/12Pitch	9.193 lbmass	
22	TB001384	2	Pipe, 8, Sch40, 6, TOE	14.292 lbmass	
23	TB001373	1	Pipe, 3, Sch40, 4, TBE	0.214 lbmass	
24	TB001369	3	Pipe, 2.00, Sch40, 1.900, TBE	0.252 lbmass	
25	TB001367	1	Pipe, 2.00, Sch40, 4, TBE	0.996 lbmass	
26	TB001363	1	Pipe, 2.0, Sch40, 12, TBE	3.102 lbmass	
27	3200-0022	1	Pipe, 2.00, Sch40, 39.875, TBE	12.129 lbmass	
28	3200-0025	1	Pipe, 2.00, Sch40, 63.063, TBE	19.195 lbmass	
29	TB001368	2	Pipe, 2.00, Sch40, 6, TBE	1.523 lbmass	
30	3200-0130	1	Pipe, 2.00, Sch40, 143.500, TOE	43.730 lbmass	
31	TB002015	1	Weld Flange, Threaded, 1, BLK	0.190 lbmass	
32	TB002170	1	Pipe Plug, 1, Square Head, BLK	0.378 lbmass	
33	TB001222	2	Coupling, Full, 2.00, Merch, Thrd	1.216 lbmass	
34	TB001225	1	Coupling, Full, 3.00, Merch, Thrd	3.568 lbmass	
35	TB001227	2	Coupling, Full, 4.00, Merch, Thrd	4.381 lbmass	
36	TB001180	1	Bushing, Hex, 4.00x2.00, DblTap, 150#	6.074 lbmass	
37	TB001255	3	Elbow, 2.00x90, 150#, Thrd	1.886 lbmass	
38	TB002282	1	Bushing, Hex, 2.00x.250, 150#	1.100 lbmass	
39	TB001456	2	Union, 2.00, 150#	3.294 lbmass	
40	TB001961	1	Valve, AntiSiphon, 2.00, 5to12HeadPress	4.099 lbmass	EBW 9L79
41	TB001447	1	Tee, 2.00, 150#, Thrd	2.278 lbmass	
42	TB001052	2	Nut, .500, 13 Z5	0.043 lbmass	
43	3400-0003	8	Nut, .375-16UNC, Hex, Zinc Plated	0.018 lbmass	
44	DIKBU	4	U-Bolt, .375-16, 2.0 Pipe, 3.125, Zinc Pl	0.256 lbmass	TC002196
45	TB000111	2	Bolt, Hex, .500-13UNCx1.250, Zinc Pl	0.120 lbmass	
46	TB000904	2	Lift Lug, Large, 16500#	5.186 lbmass	
47	TC000211	2	Lift Lug, Top	11.051 lbmass	
48	TB001979	1	Vent, Double Outlet, 3.00, Thrd	0.406 lbmass	
49	TB000817	2	Holder, Brass Label, Fargo	0.275 lbmass	3950-003 6, HURON
50	TB000813	1	Label, SwRI Above Ground Storage Tank	0.005 lbmass	
51	TB000822	1	Label, H, Tank Requires Emer. Relief	0.047 lbmass	
52	TB000826	1	Label, K, Vent Space Between Outer & Inner	0.047 lbmass	

DATE	REV	DESCRIPTION	ECN NO.	BY
3/23/2016	5	UPDATED DETAILS	E2016-0107	TWS
10/16/2015	4	CHANGED BOTTOM HEAD TO 2 PCS		DCLAUDE
3/19/2015	3	MOVE MANWAY	ECN 2015-0019	JLK
3/17/2015	2	CORRECT PART LIST		TWS
2/4/2015	1	ADDED WEIGHT		TWS
12/30/2014	0	RELEASE		JLK
12/9/2014	A	APPROVAL		TWS

NOTES:
1) FINISH:
EXTERIOR: PRIME GREY, WHITE PAINT W/FAST DRYING ENAMEL
BOTTOM - BITUMASTIC # 50
INTERIOR: NO COATING
2) REQUIRED VENTING CAPACITY - 318,168.63 (ft3/hr)
3) BUILD & TESTING
THIS TANK SHALL BE BUILT & TESTED IN ACCORDANCE WITH ST1-F921 STANDARD FOR ABOVE GROUND TANKS

 UNLESS OTHERWISE SPECIFIED: UNITS = INCHES TOLERANCE: LINEAR ± 1/8" ANGULAR ± 1/2"	4401 West Main Fargo, ND 58103 Phone: 701-282-2345 Fax: 701-282-5516 TrueNorthSteel.com		
	DRAWN: Tstoll DATE: 11/3/2014	PART#: 1005-0003 DESCRIPTION: Tank, V, 8500, 132x144, F921, .75hp, 0100	
	THIS DRAWING IS THE SOLE PROPERTY OF TRUENORTH STEEL, INC. ANY COPIES/EDITS MADE WITHOUT THE WRITTEN CONSENT OF TRUENORTH STEEL, IS STRICTLY PROHIBITED.	WEIGHT: 8605.888 lbmass SCALE: DO NOT SCALE DRAWING	SHEET 1 OF 2