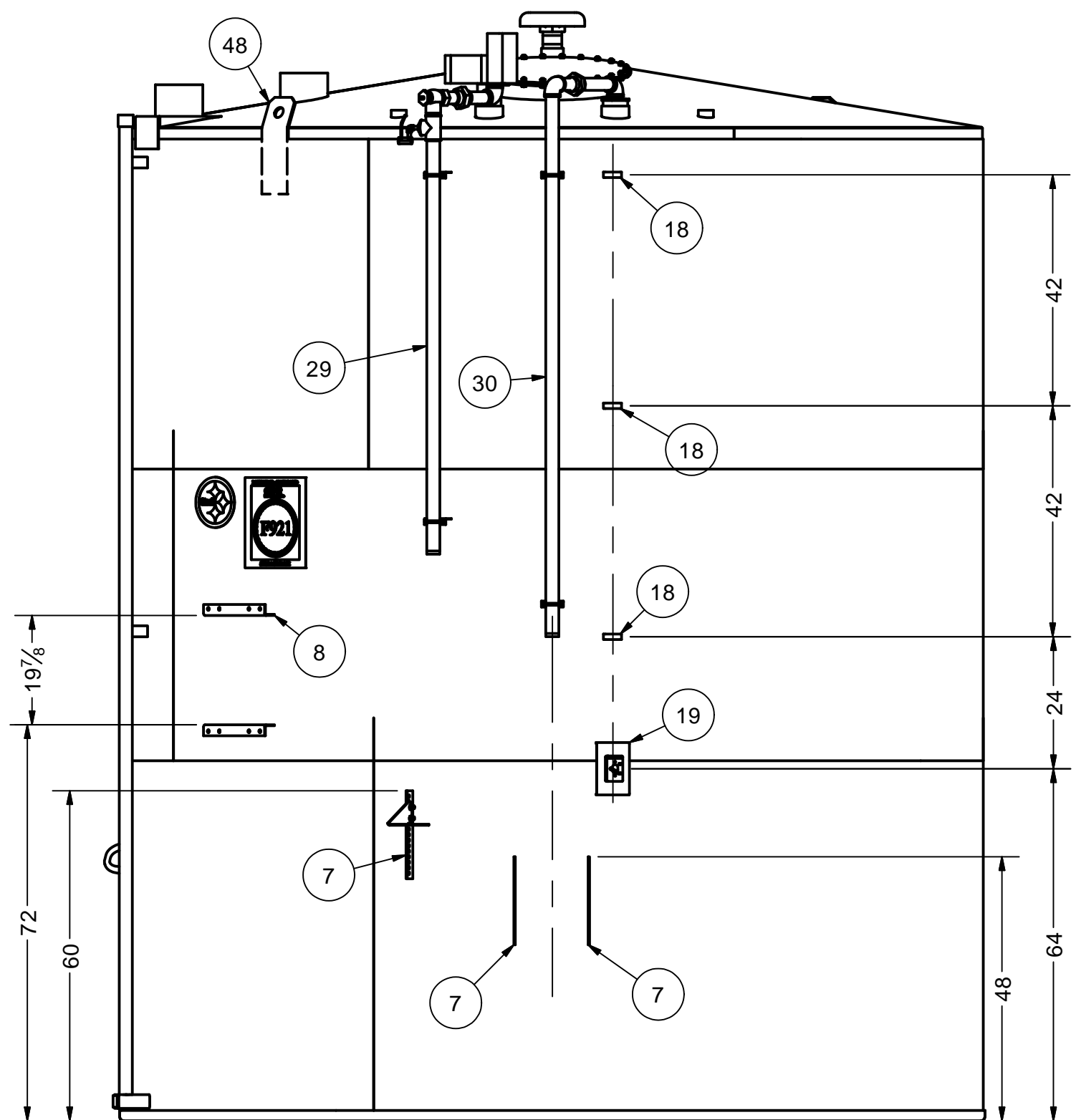
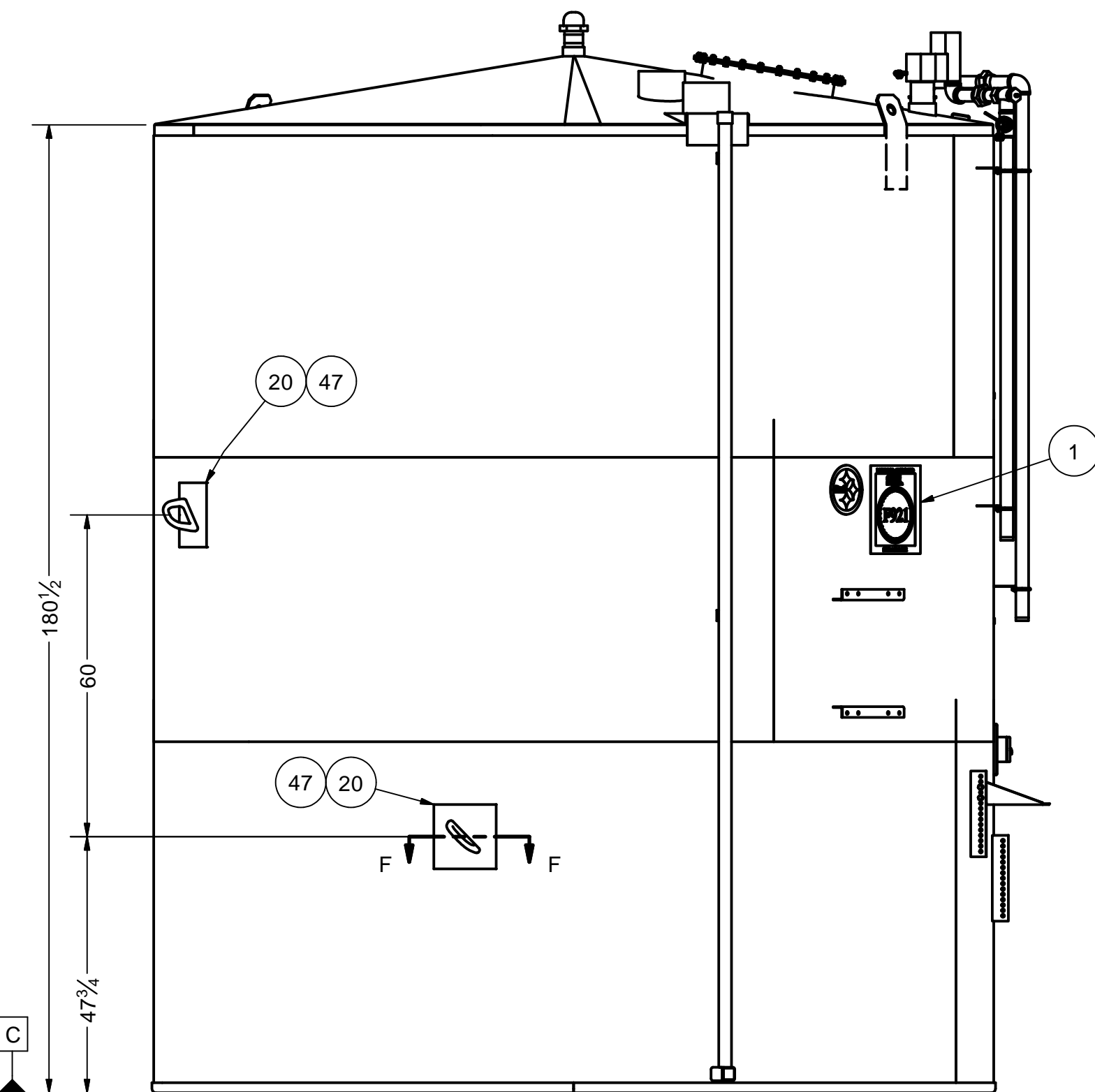
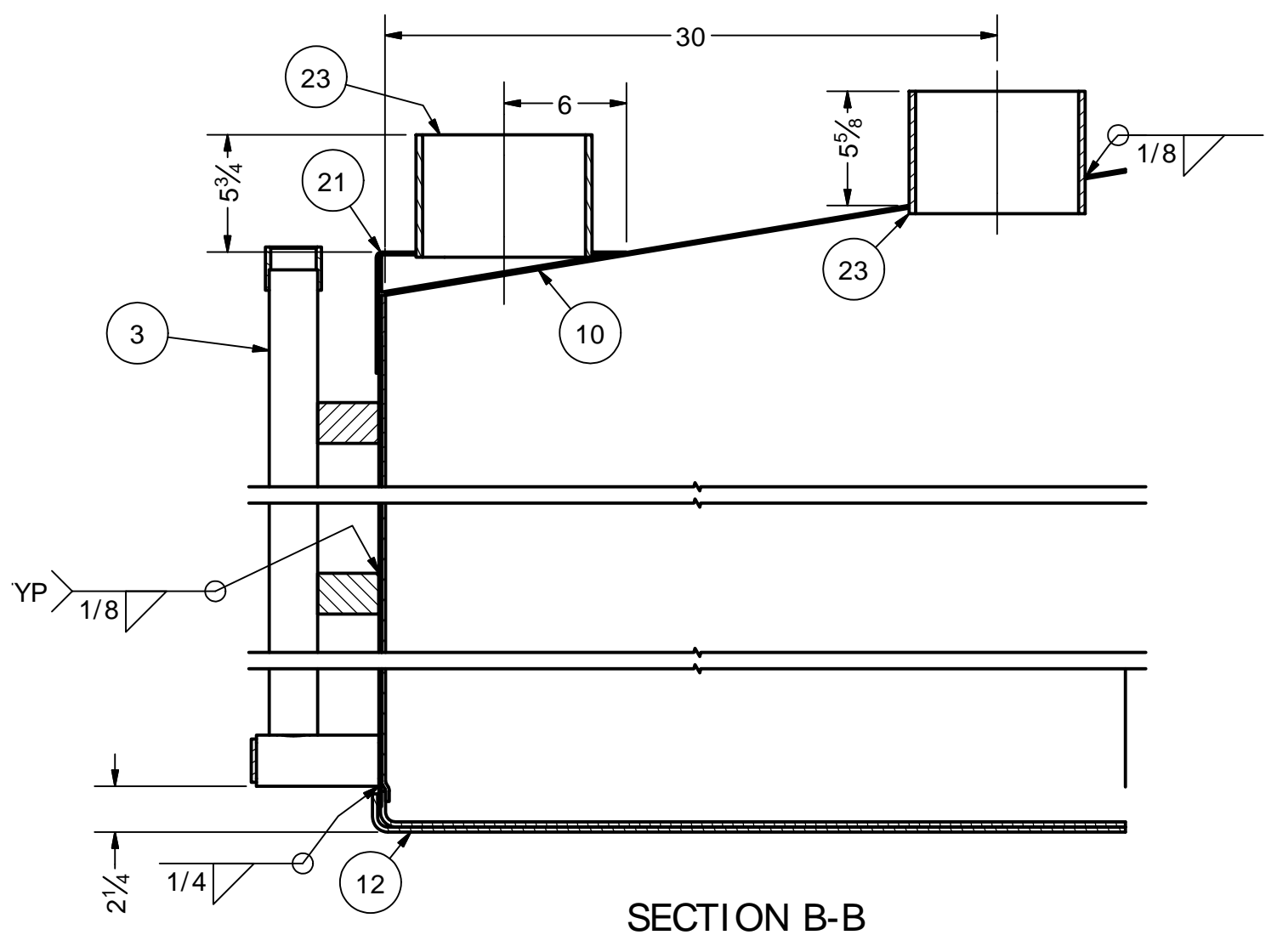
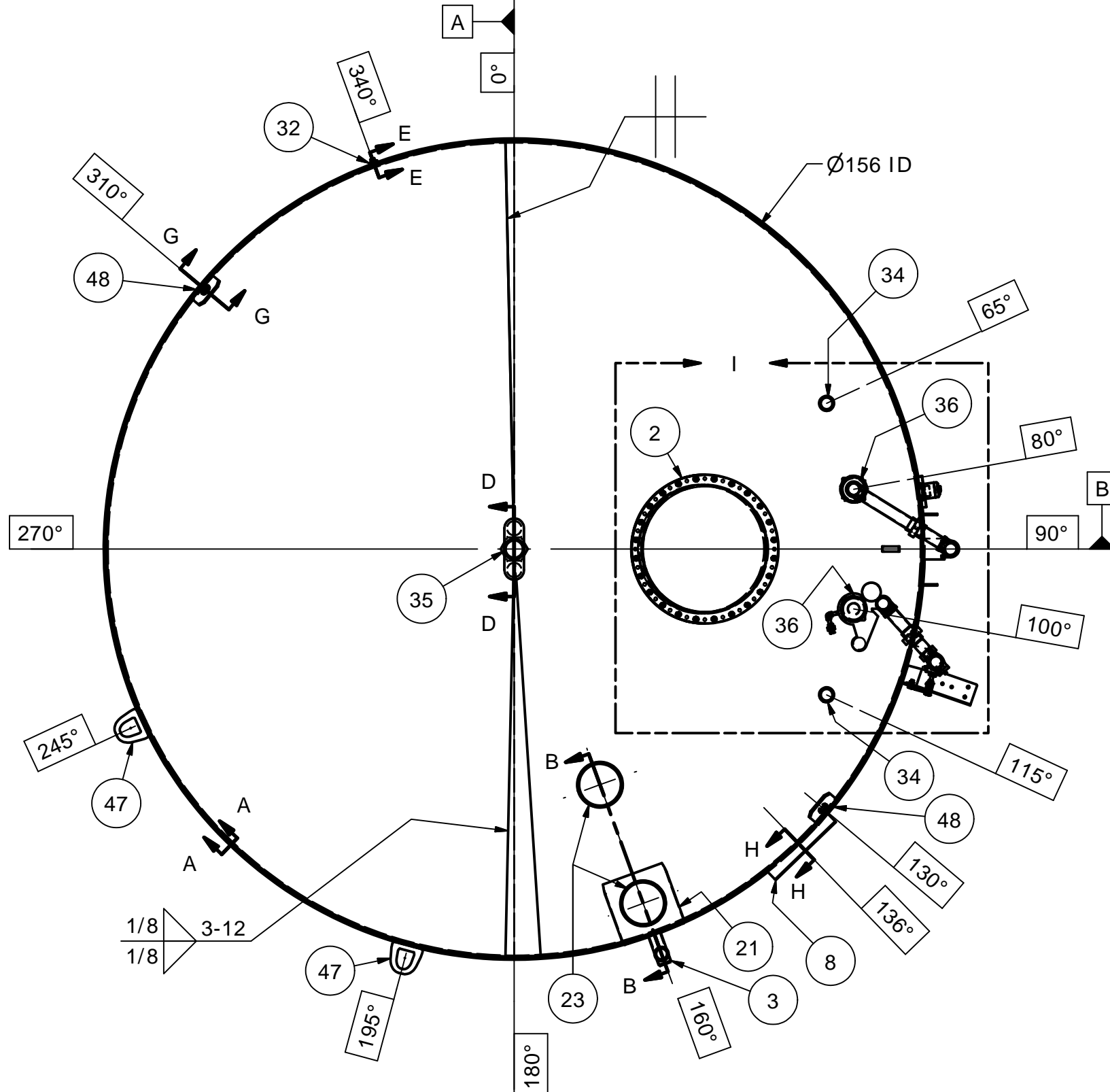


QC	LAYOUT	DIM. INSP.	WELDER	WELD INSP.	COATING	COAT. INSP.	COMP. DATE	HEAT #:
----	--------	------------	--------	------------	---------	-------------	------------	---------



PARTS LIST					
ITEM	S/L ITEM#	QTY	DESCRIPTION	MASS	NOTES
1	TB000811	1	Label Kit, F921	0.298 lbmass	
2	2000-0011	1	Manway, Kit, 24.0, SP, 3.5n., .250f., .250c, BunaN	79.901 lbmass	
3	2000-0015	1	Monitor Pipe Assy, 180 Vert Tank	58.946 lbmass	
4	2000-0019	1	Pressure Relief Kit, .25 pipe, 24 Hose	1.572 lbmass	
5	TB001849	1	Submersible Pump Kit, STP150-VL3 1.5hp	142.180 lbmass	
6	2000-0008	1	Switch Kit, Submersible Pump, 1.5/2.0hp	2.367 lbmass	
7	TC000283	3	Bracket, DW Fill Box, .25x3x16	3.139 lbmass	
8	TC000663	2	Bracket, Reel For Vert Tanks	3.290 lbmass	
9	3000-0067	1	Head, Half, .135, 156id, Coned, OL, 2.0ctr	376.087 lbmass	
10	3000-0070	1	Head, Half, .135, 156id, Cone, Hole, OL, 2.0ctr	353.162 lbmass	
11	TC000498	2	Head, Half, .25, 156id, 1.500flng	703.348 lbmass	
12	TC000499	2	Head, Half, .25, 156.770id, 1.500flng	712.366 lbmass	
13	3000-0082	6	Shell, .188, 156id, 60, 180d, Ofst1	785.385 lbmass	
14	3000-0093	4	Shell, Wrap, .135, 156.375id, 60, 181d	567.882 lbmass	
15	TC001037	1	Bracket, Filter, .188x4x13	3.912 lbmass	
16	TC000509	4	Bracket, Pipe For DW Vert, 10ga, 4x11	3.264 lbmass	
17	TB000842	4	Bracket, 2.0 U-Bolt, 12ga, 1x4x4	0.586 lbmass	
18	TC000681	4	Bracket, U-Shape, 10ga, .75x1x3	0.165 lbmass	
19	TC000683	1	Bracket, U-Shape, 10ga, 1x9.25x6	2.535 lbmass	
20	3000-0107	2	Reinforcement Plate, .250, 12x12, 156 Tank	10.226 lbmass	
21	3000-0656	1	E-Vent Platform, .135, 2/12Pitch	9.193 lbmass	
22	3000-0706	2	Shell, Wrap, .135, 156.375id, 72, 181d	681.458 lbmass	
23	TB001384	2	Pipe, 8, Sch40, 6, TOE	14.292 lbmass	
24	TB001373	1	Pipe, 3, Sch40, 4, TBE	0.214 lbmass	
25	TB001369	3	Pipe, 2.00, Sch40, 1.900, TBE	0.252 lbmass	
26	TB001367	1	Pipe, 2.00, Sch40, 4, TBE	0.996 lbmass	
27	TB001363	1	Pipe, 2.0, Sch40, 12, TBE	3.102 lbmass	
28	TB001368	2	Pipe, 2.00, Sch40, 6, TBE	1.523 lbmass	
29	3200-0039	1	Pipe, 2.00, Sch40, 75.75, TBE	23.061 lbmass	
30	3200-0040	1	Pipe, 2.00, Sch40, 98.938, TBE	30.128 lbmass	
31	3200-0120	1	Pipe, 2.00, Sch40, 179.5, TOE	54.700 lbmass	
32	TB002015	1	Weld Flange, Threaded, 1, BLK	0.190 lbmass	
33	TB002170	1	Pipe Plug, 1, Square Head, BLK	0.378 lbmass	
34	TB001222	2	Coupling, Full, 2.00, Merch, Thrd	1.216 lbmass	
35	TB001225	1	Coupling, Full, 3.00, Merch, Thrd	3.568 lbmass	
36	TB001227	2	Coupling, Full, 4.00, Merch, Thrd	4.381 lbmass	
37	TB001180	1	Bushing, Hex, 4.00x2.00, DblTap, 150#	6.074 lbmass	
38	TB001255	3	Elbow, 2.00x90, 150#, Thrd	1.886 lbmass	
39	TB002282	1	Bushing, Hex, 2.00x.250, 150#	1.100 lbmass	
40	TB001456	2	Union, 2.00, 150#	3.294 lbmass	
41	TB001961	1	Valve, AntiSiphon, 2.00, 5to12HeadPress	4.099 lbmass	EBW 9L79
42	TB001447	1	Tee, 2.00, 150#, Thrd	2.278 lbmass	
43	TB001052	2	Nut, .500, 13 Z5	0.043 lbmass	
44	3400-0003	8	Nut, .375-16UNC, Hex, Zinc Plated	0.018 lbmass	
45	DIKBU	4	U-Bolt, .375-16, 2.0 Pipe, 3.125, Zinc Pl	0.256 lbmass	TC002196
46	TB000111	2	Bolt, Hex, .500-13UNCx1.250, Zinc Pl	0.120 lbmass	
47	TB000904	2	Lift Lug, Large, 16500#	5.186 lbmass	
48	TC000211	2	Lift Lug, Top	11.051 lbmass	
49	TB001979	1	Vent, Double Outlet, 3.00, Thrd	0.140 lbmass	
50	TB000817	2	Holder, Brass Label, Fargo	0.275 lbmass	3950-003 6. HURON
51	TB000813	1	Label, SwRI Above Ground Storage Tank	0.005 lbmass	
52	TB000822	1	Label, H, Tank Requires Emer. Relief	0.047 lbmass	
53	TB000826	1	Label, K, Vent Space Between Outer & Inner	0.047 lbmass	

DATE	REV	DESCRIPTION	ECN NO.	BY
11/30/2016	4	CORRECT MOTOR/SWIT TO 1.5hp	E2016-0482	TWS
2/24/2016	3	UPDATED DETAILS	E2016-0107	TWS
3/19/2015	2	MOVE MANWAY	ECN 2015-0011	JLK
3/17/2015	1	CORRECT 24/25		TWS
12/30/2014	0	RELEASE		JLK
12/9/2014	A	APPROVAL		TWS

NOTES:  
 1) FINISH:  
 EXTERIOR: PRIME GREY AND PAINT WHITE, FAST DRYING ENAMEL  
 INTERIOR: NO COATING  
 2) EMERGENCY VENTING CAPACITY: 392,292.09 (CUBIC FEET/HR)

	4401 West Main Fargo, ND 58103 Phone: 701-282-2345 Fax: 701-282-5516 TrueNorthSteel.com		
	UNLESS OTHERWISE SPECIFIED: UNITS = INCHES TOLERANCE: LINEAR ±1/8" ANGULAR ±1/2"	DRAWN: Tstoll DATE: 11/3/2014 CHECKED: DATE:	