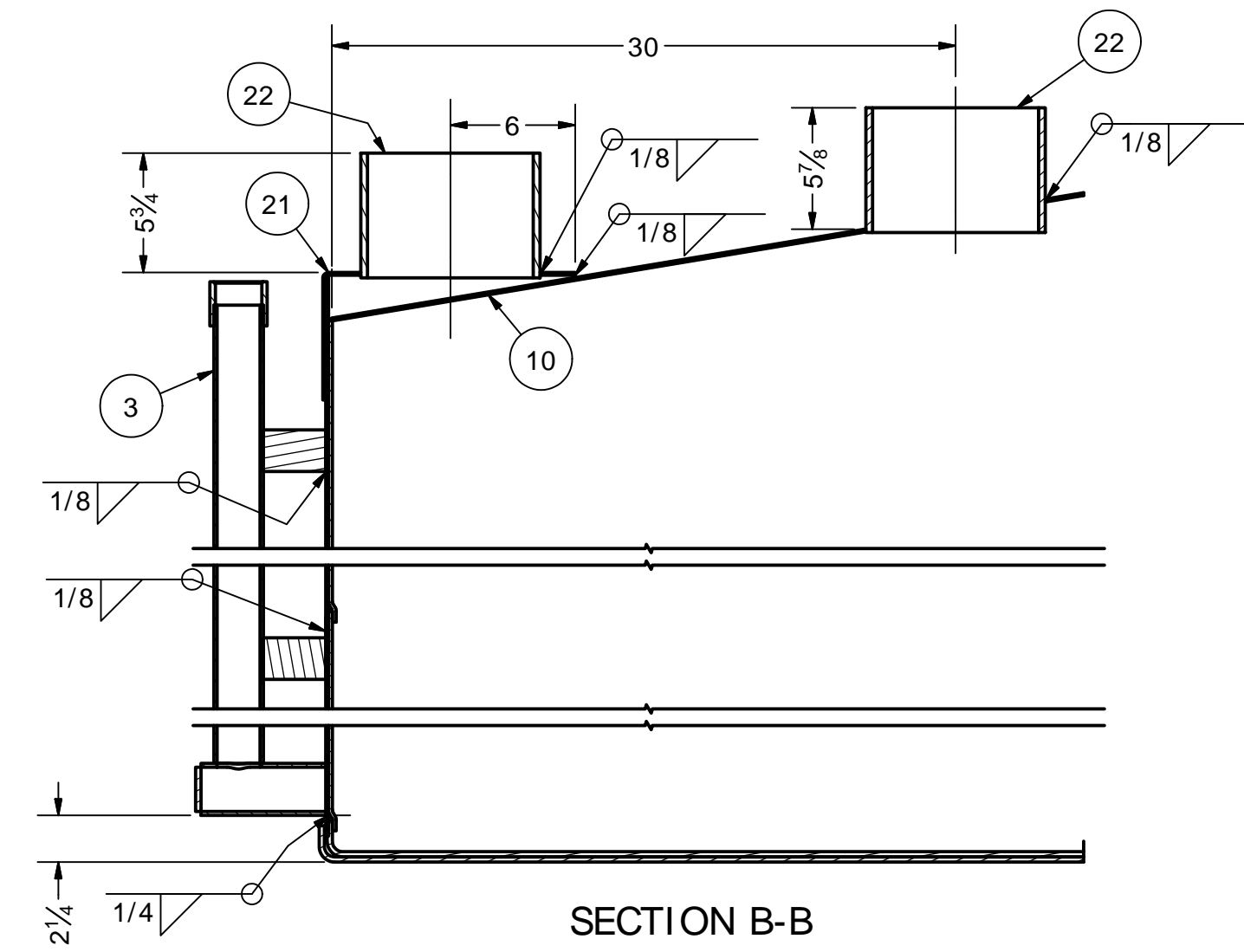
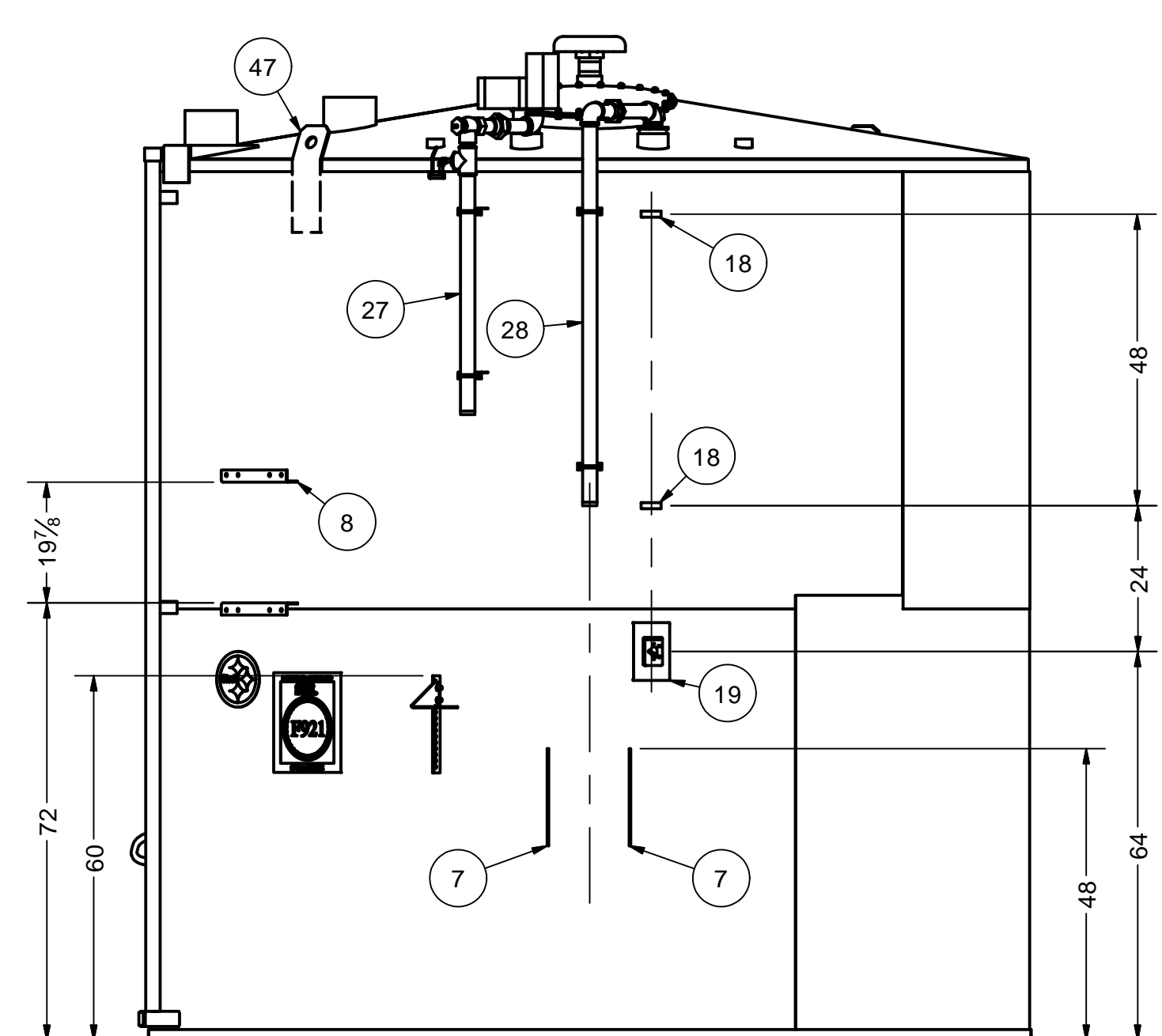
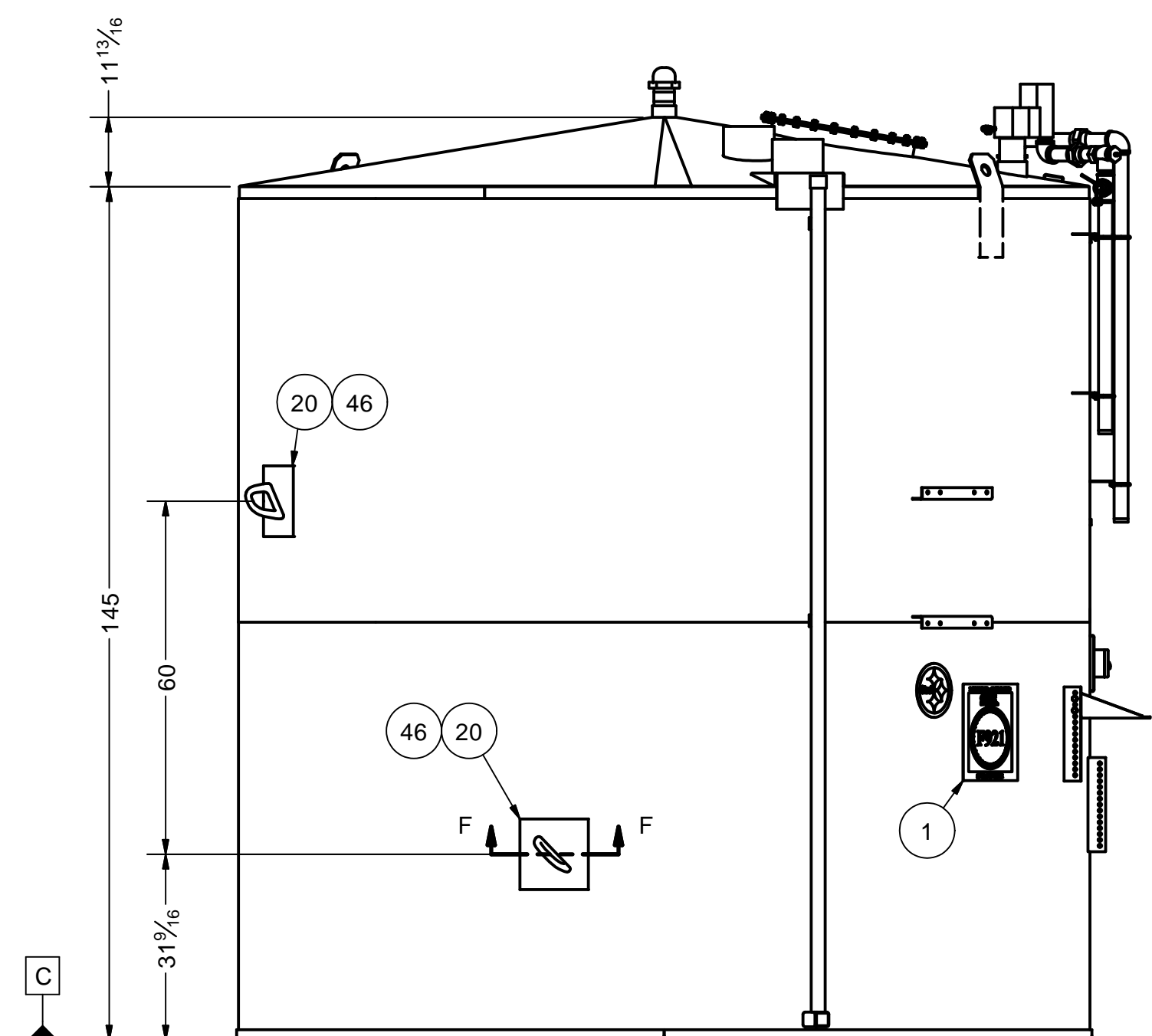
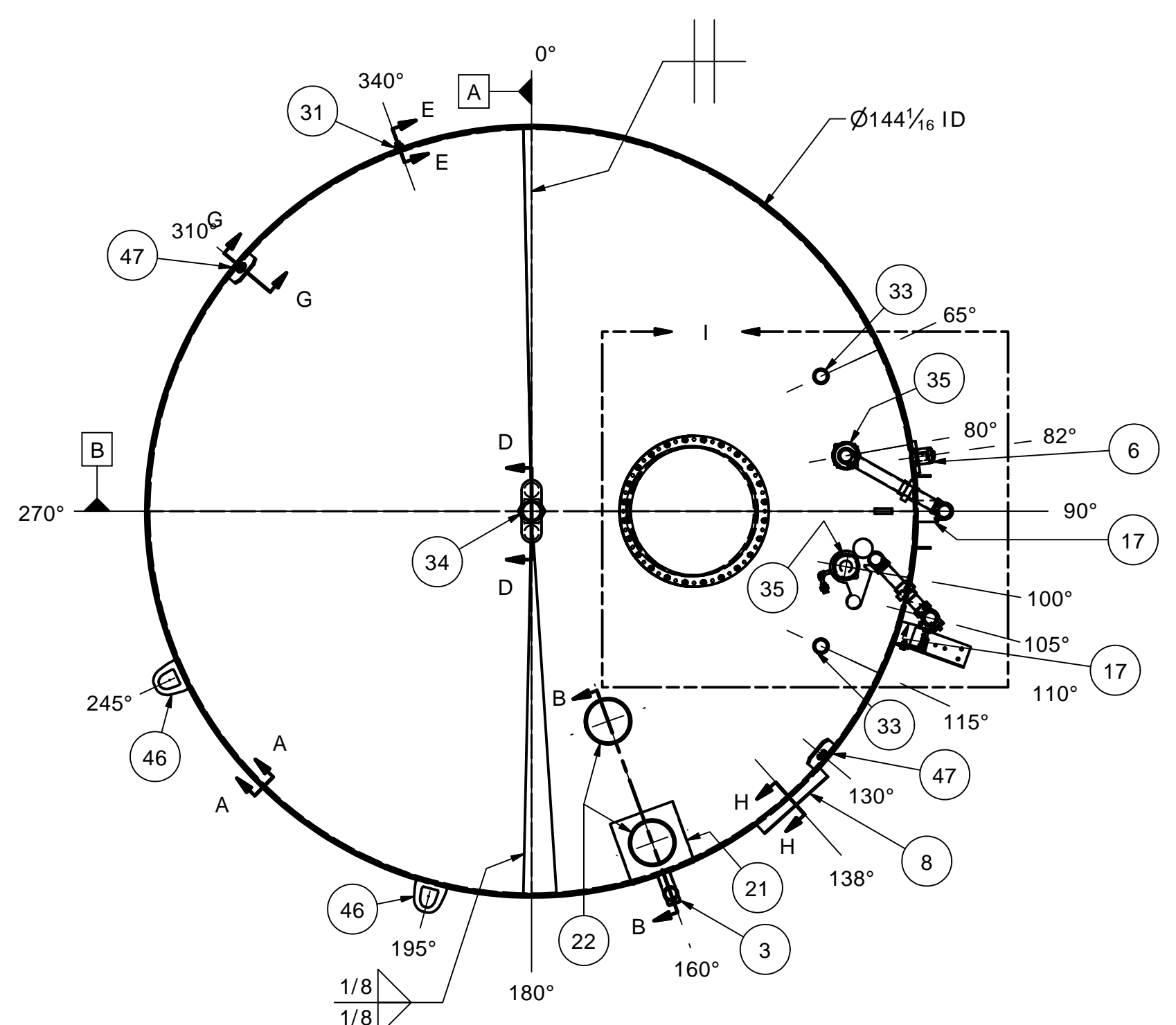


|    |        |            |        |            |         |             |            |         |
|----|--------|------------|--------|------------|---------|-------------|------------|---------|
| QC | LAYOUT | DIM. INSP. | WELDER | WELD INSP. | COATING | COAT. INSP. | COMP. DATE | HEAT #: |
|----|--------|------------|--------|------------|---------|-------------|------------|---------|



| PARTS LIST |           |     |   |                 |                  |
|------------|-----------|-----|---|-----------------|------------------|
| ITEM       | S/L ITEM# | QTY | DESCRIPTION                                 | MASS            | NOTES            |
| 1          | TB000811  | 1   | Label Kit,F921                              | 0.298 lbmass    |                  |
| 2          | 2000-0011 | 1   | Manway,Kit,24.0,SP,3.5n.,.250f.,.250c,BunaN | 78.914 lbmass   |                  |
| 3          | 2000-0014 | 1   | Monitor Pipe Assy,144 Vert Tank             | 47.976 lbmass   |                  |
| 4          | 2000-0019 | 1   | Pressure Relief Kit,.25 pipe,24 Hose        | 1.572 lbmass    |                  |
| 5          | TB002284  | 1   | Submersible Pump Kit,STP75-VL3-07 .75hp     | 142.180 lbmass  |                  |
| 6          | 2000-0041 | 1   | Switch Kit, Submersible Pump,0.75hp         | 3.426 lbmass    |                  |
| 7          | TC000283  | 3   | Bracket, DW Fill Box, .25x3x16              | 3.139 lbmass    |                  |
| 8          | TC000663  | 2   | Bracket,Reel For Vert Tanks LAN0191         | 3.290 lbmass    |                  |
| 9          | 3000-0066 | 1   | Head,Half,.135,144id,Coned,OL,2.0ctr        | 320.451 lbmass  |                  |
| 10         | 3000-0069 | 1   | Head,Half,.135,144id,Cone,Hole,OL,2.0ctr    | 295.654 lbmass  |                  |
| 11         | 3000-0073 | 2   | Head,Half,.250,144id,1.500fIng              | 601.135 lbmass  |                  |
| 12         | 3000-0074 | 2   | Head,Half,.25,144,770id,1.500fIng           | 607.453 lbmass  |                  |
| 13         | TC002406  | 2   | Shell,.188,144id,72,360d,Ofst1              | 1739.894 lbmass |                  |
| 14         | 3000-0091 | 2   | Shell,.Wrap,135,144,375id,72,362d           | 1259.032 lbmass |                  |
| 15         | TC001037  | 1   | Bracket,Filter,.188x4x13                    | 3.912 lbmass    |                  |
| 16         | TC000509  | 4   | Bracket,Pipe For DW Vert,10ga,4x11          | 3.264 lbmass    |                  |
| 17         | TB000842  | 4   | Bracket,2.0 U-Bolt,12ga,1x4x4               | 0.586 lbmass    |                  |
| 18         | TC000681  | 3   | Bracket,U-Shape,10ga,.75x1x3                | 0.165 lbmass    |                  |
| 19         | TC000683  | 1   | Bracket,U-Shape,10ga,1x9,25x6               | 2.535 lbmass    |                  |
| 20         | TC000662  | 2   | Reinforcement Plate,.250,12x12,144 Tank     | 10.227 lbmass   |                  |
| 21         | 3000-0656 | 1   | E-Vent Platform,.135,2,12Pitch              | 9.470 lbmass    |                  |
| 22         | TB001384  | 2   | Pipe,8,Sch40,6,TOE                          | 14.292 lbmass   |                  |
| 23         | TB001373  | 1   | Pipe,3,Sch40,4,TBE                          | 0.214 lbmass    |                  |
| 24         | TB001369  | 3   | Pipe,2.00,Sch40,1,900,TBE                   | 0.252 lbmass    |                  |
| 25         | TB001367  | 1   | Pipe,2.00,Sch40,4,TBE                       | 0.996 lbmass    |                  |
| 26         | TB001363  | 1   | Pipe,2.0,Sch40,12,TBE                       | 3.102 lbmass    |                  |
| 27         | 3200-0022 | 1   | Pipe,2.00,Sch40,39.875,TBE                  | 12.129 lbmass   |                  |
| 28         | 3200-0025 | 1   | Pipe,2.00,Sch40,63.063,TBE                  | 19.195 lbmass   |                  |
| 29         | TB001368  | 2   | Pipe,2.00,Sch40,6,TBE                       | 1.523 lbmass    |                  |
| 30         | 3200-0136 | 1   | Pipe,2.00,Sch40,144,TOE                     | 43.882 lbmass   |                  |
| 31         | TB002015  | 1   | Weld Flange,Threaded,1, BLK                 | 0.190 lbmass    |                  |
| 32         | TB002170  | 1   | Pipe Plug,1,Square Head,BLK                 | 0.378 lbmass    |                  |
| 33         | TB001222  | 2   | Coupling,Full,2.00,Merch,Thrd               | 1.216 lbmass    |                  |
| 34         | TB001225  | 1   | Coupling,Full,3.00,Merch,Thrd               | 3.568 lbmass    |                  |
| 35         | TB001227  | 2   | Coupling,Full,4.00,Merch,Thrd               | 4.381 lbmass    |                  |
| 36         | TB001180  | 1   | Bushing,Hex,4.00x2.00,DbITap,150#           | 6.074 lbmass    |                  |
| 37         | TB001255  | 3   | Elbow,2.00x90,150#,Thrd                     | 1.886 lbmass    |                  |
| 38         | TB002282  | 1   | Bushing,Hex,2.00x.250,150#                  | 1.100 lbmass    |                  |
| 39         | TB001456  | 2   | Union,2.00,150#                             | 3.294 lbmass    |                  |
| 40         | TB001961  | 1   | Valve,AntiSiphon,2.00,5to12HeadPress        | 4.099 lbmass    |                  |
| 41         | TB001447  | 1   | Tee,2.00,150#,Thrd                          | 2.278 lbmass    |                  |
| 42         | TB001052  | 2   | Nut,.500,13 Z5                              | 0.043 lbmass    |                  |
| 43         | 3400-0003 | 8   | Nut,.375-16UNC,Hex,Zinc Plated              | 0.018 lbmass    |                  |
| 44         | DIKBU     | 4   | U-Bolt,.375-16,2.0 Pipe,3.125,Zinc Pl       | 0.256 lbmass    | TC002196         |
| 45         | TB000111  | 2   | Bolt,Hex,.500-13UNCx1.250,Zinc Pl           | 0.120 lbmass    |                  |
| 46         | TB000904  | 2   | Lift Lug,Large,16500#                       | 5.186 lbmass    |                  |
| 47         | TC000211  | 2   | Lift Lug,Top                                | 11.051 lbmass   |                  |
| 48         | TB001979  | 1   | Vent,Double Outlet,3.00,Thrd                | 0.406 lbmass    |                  |
| 49         | TB000219  | 1   | Decal,TrueNorth Steel,White                 | 0.017 lbmass    |                  |
| 50         | TB000817  | 2   | Holder,Brass Label,Fargo                    | 0.275 lbmass    | 3950-0036, HURON |
| 51         | TB000813  | 1   | Label,SwRI Above Ground Storage Tank        | 0.005 lbmass    |                  |
| 52         | TB000822  | 1   | Label,H,Tank Requires Emer. Relief          | 0.047 lbmass    |                  |
| 53         | TB000826  | 1   | Label,K,Vent Space Between Outer & Inner    | 0.047 lbmass    |                  |

| DATE      | REV | DESCRIPTION  | ECN NO.       | BY      |
|-----------|-----|--|---------------|---------|
| 2/23/2016 | 6   | UPDATED DETAILS                                      | E2016-0107    | TWS     |
| 6/4/15    | 5   | MISC UPDATES TO MATCH MFG                            | E2015-0150    | TWS     |
| 4/29/2015 | 4   | 1. ADDED MANWAY DIMENSION<br>2. CHANGE TO 2/12 PITCH |               | DCLAUDE |
| 3/19/2015 | 3   | CHANGE MANWAY  | ECN 2015-0011 | JLK     |

NOTES:  
 1) FINISH:  
 EXTERIOR: PRIME GREY AND PAINT WHITE, FAST DRYING ENAMEL  
 Bottom - Bitumastic # 50  
 INTERIOR: NO COATING  
 2) TOTAL VENTING CAPACITY: 270,067.09 FT<sup>3</sup>/HR

|  |   |  |  |
|--|---|--|--|
|  | 4401 West Main<br>Fargo, ND 58103<br>Phone: 701-282-2345<br>Fax: 701-282-5516<br>TrueNorthSteel.com |  |  |
|  | UNLESS OTHERWISE SPECIFIED:<br>UNITS = INCHES<br>TOLERANCE:<br>LINEAR ± 1/8"<br>ANGULAR ± 1/2"      | DRAWN: Tstoll<br>DATE: 11/3/2014<br>CHECKED: DATE: |  |