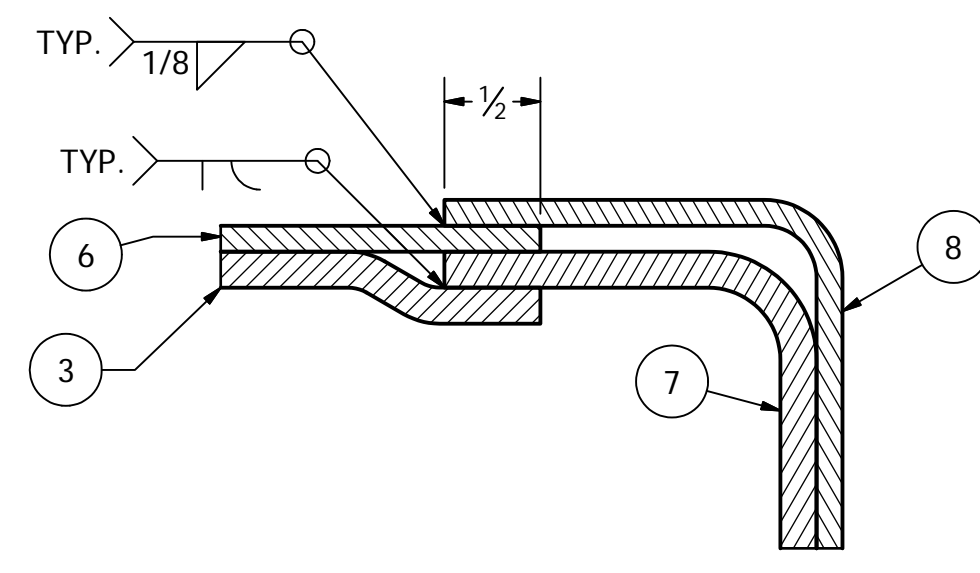
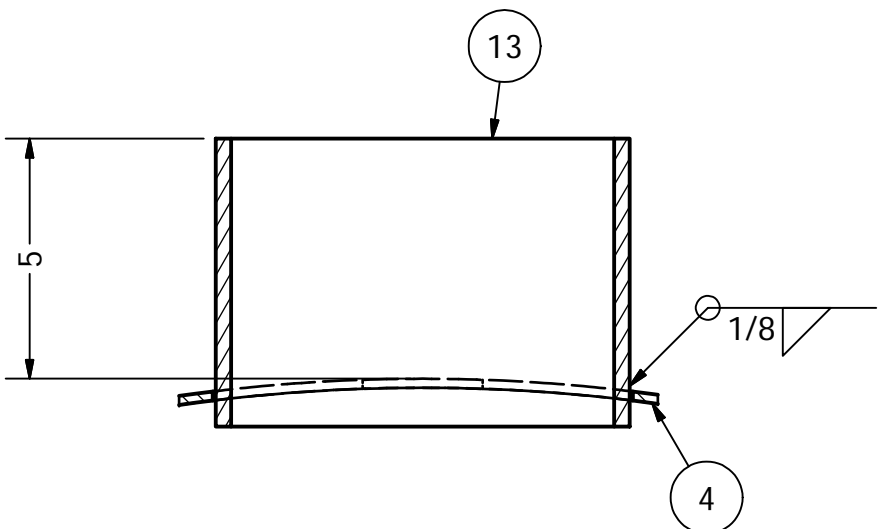


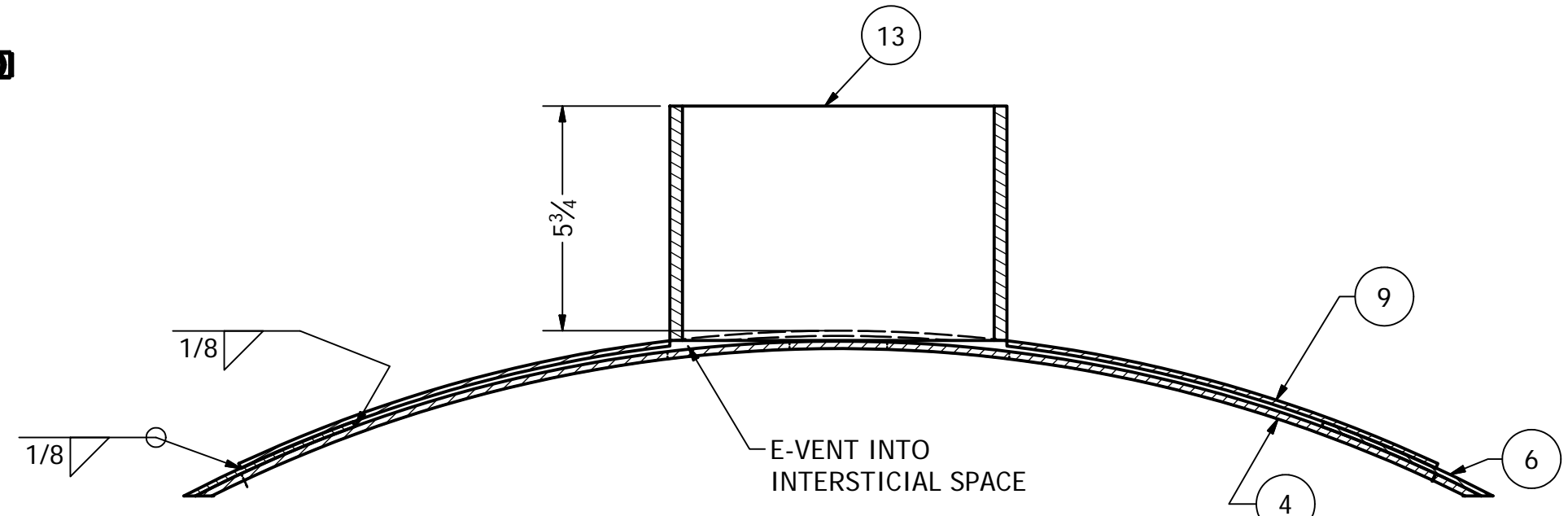
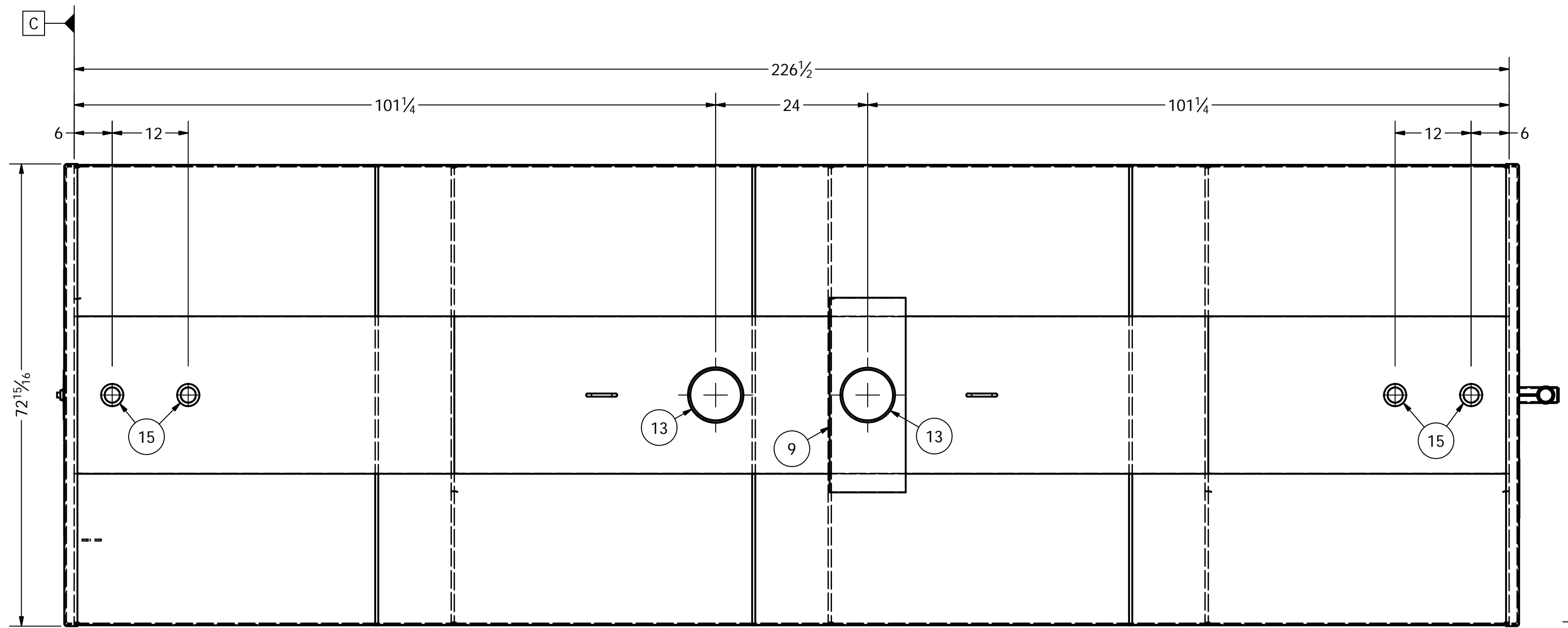
QC	LAYOUT	DIM. INSP.	WELDER	WELD INSP.	COATING	COAT. INSP.	COMP. DATE	HEAT #
----	--------	------------	--------	------------	---------	-------------	------------	--------



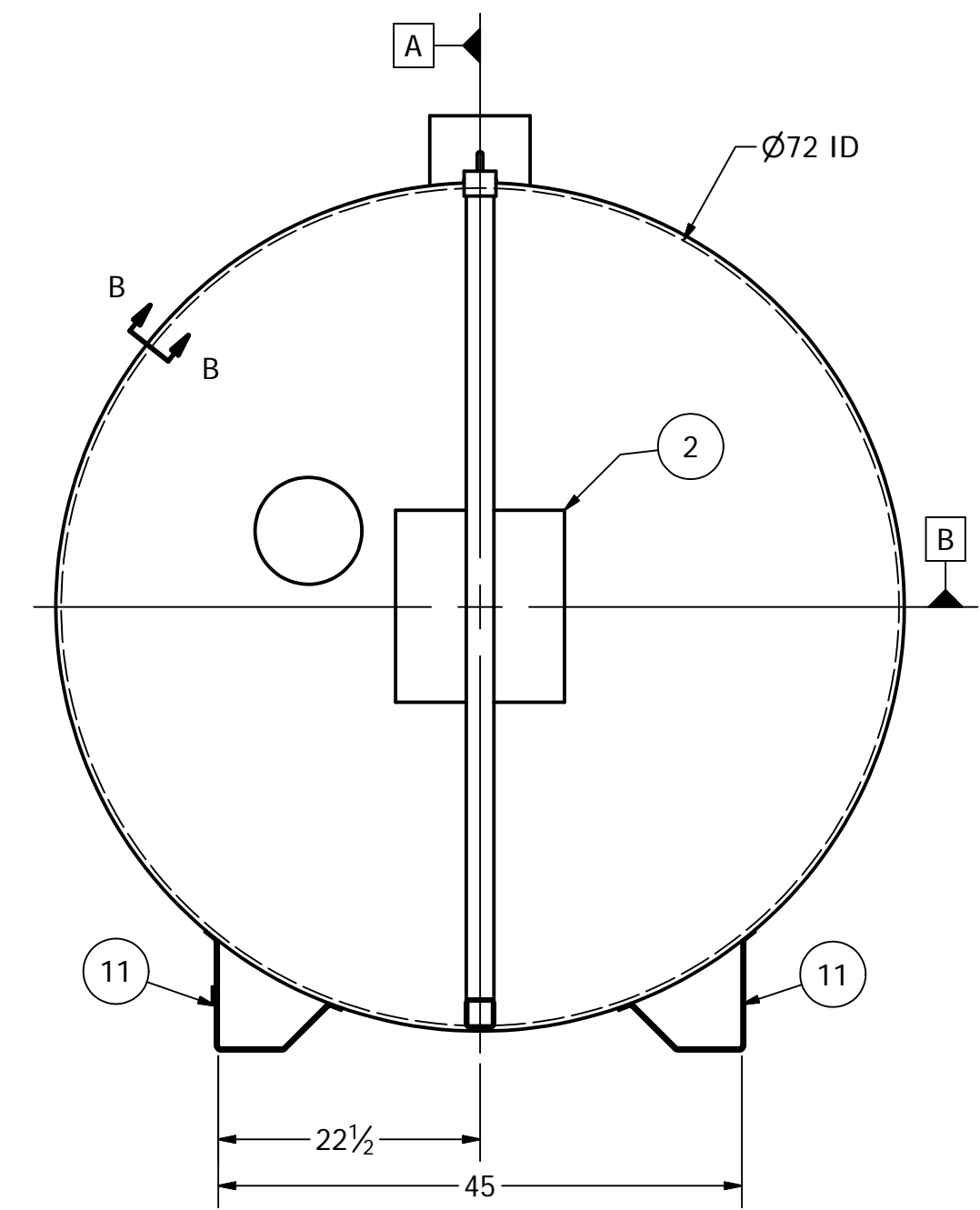
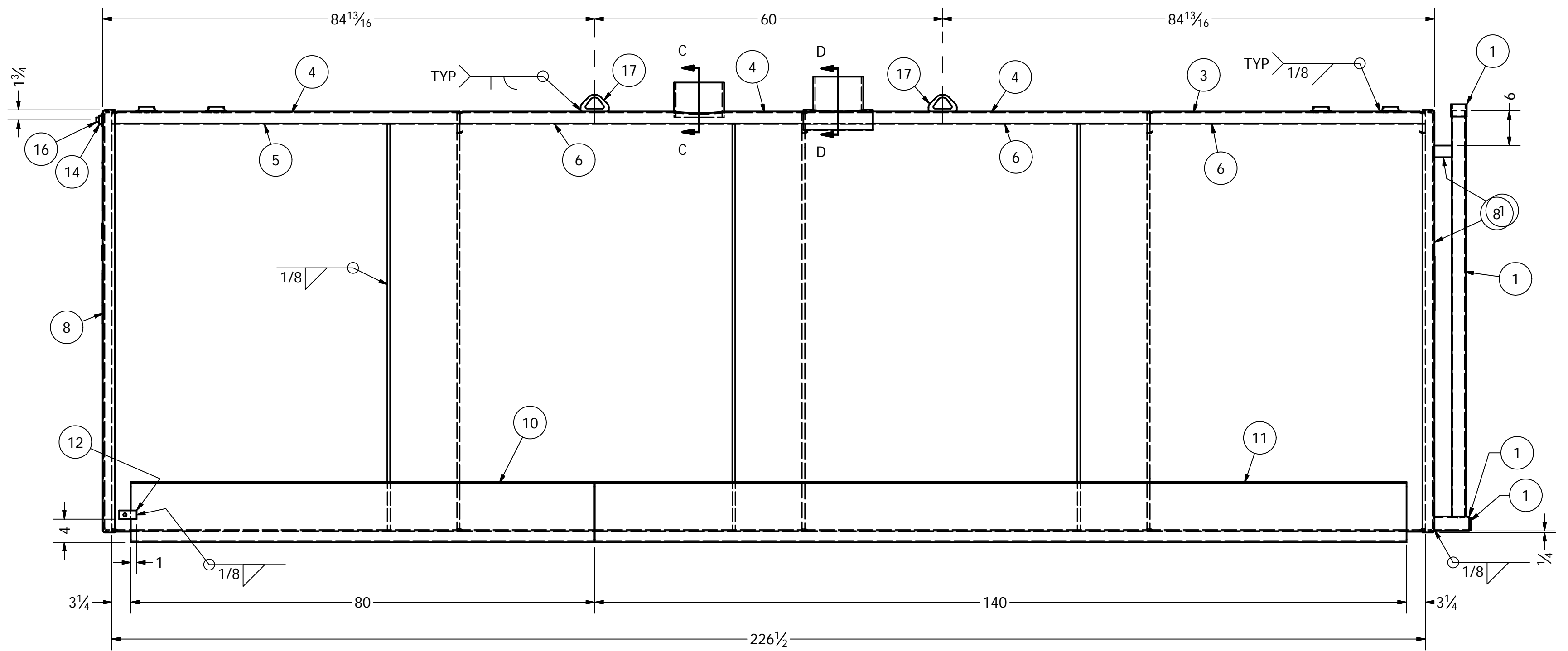
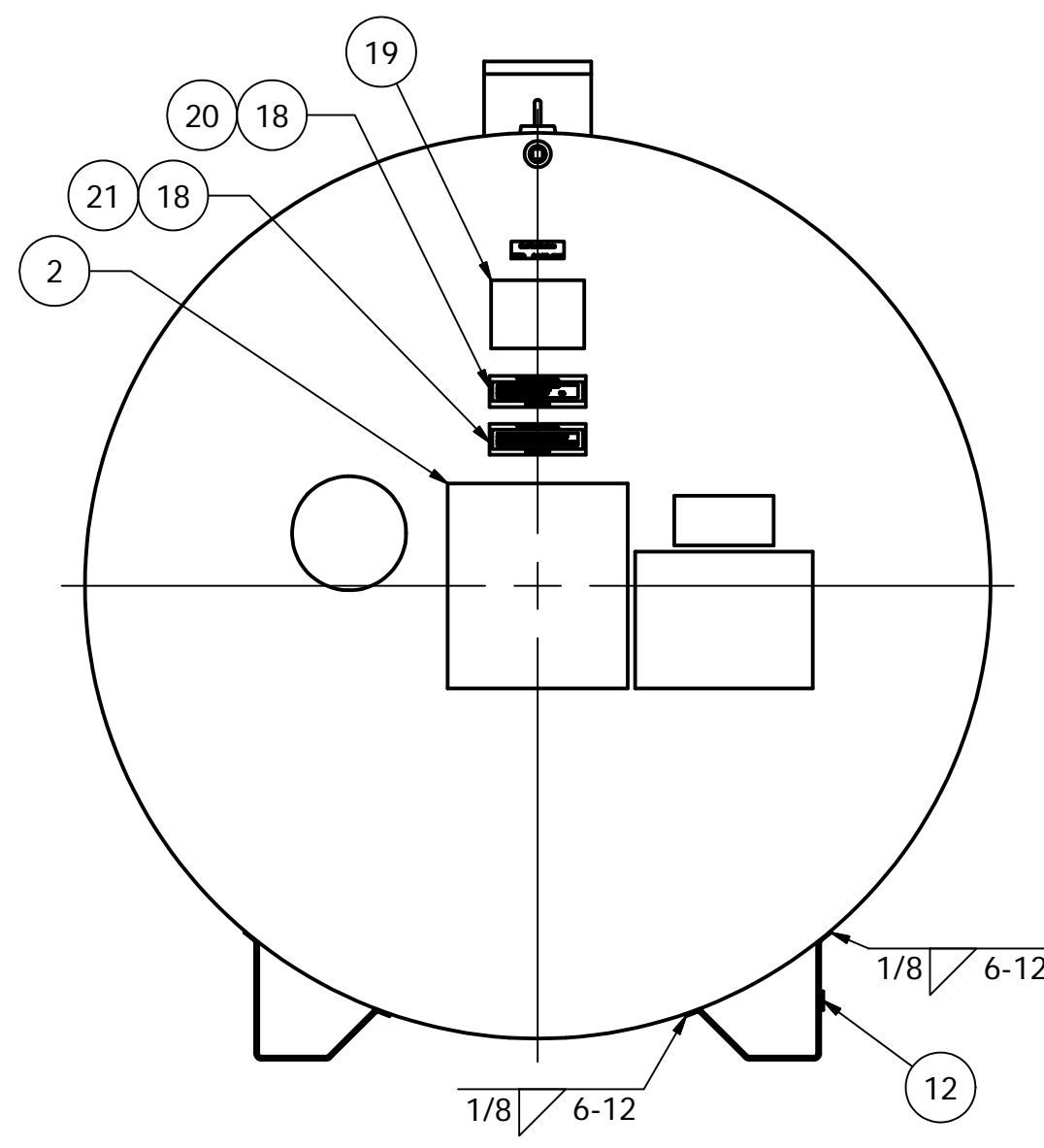
SECTION B-B
SCALE 1



SECTION C-C
SCALE 1/4



SECTION D-D
SCALE 1/4



PARTS LIST					
ITEM	SL ITEM#	QTY	DESCRIPTION	MASS	NOTES
1	2000-0002	1	Monitor Pipe Assy,72 Tank	25.914 lbmass	
2	TB000811	1	Label Kit,F921	0.263 lbmass	
3	TC002707	1	Shell,.188,72id,48,360d,Ofst2	582.076 lbmass	
4	TC002706	3	Shell,.188,72id,60,360d,Ofst1	726.883 lbmass	
5	3000-0027	1	Shell,.135,72.375id,48,320d	372.113 lbmass	
6	3000-0028	3	Shell,.135,72.375id,60,320d	465.142 lbmass	
7	TC000198	2	Head,Circle,.188,72id,.938flng	238.067 lbmass	
8	3000-0035	2	Head,Circle,.135,72.645id,1.125flng	175.559 lbmass	
9	3000-0040	1	E-Vent Plate,.135,12X31.625,72 Tank	14.536 lbmass	
10	3000-0042	2	Skid,SSP72,.250,80,45sp,STI	129.507 lbmass	
11	3000-0043	2	Skid,SSP72,.250,140,45sp,STI	226.637 lbmass	
12	TC000778	1	Grounding Lug,.250,1.5x3.0	0.301 lbmass	
13	TB001384	2	Pipe,8,Sch40,6,TOE	14.292 lbmass	
14	TB002015	1	Weld Flange,Threaded,1, BLK	0.190 lbmass	
15	TB002022	4	Weld Flange,Threaded,2,BLK	0.534 lbmass	
16	TB002170	1	Pipe Plug,1,Square Head,BLK	0.378 lbmass	
17	TB000905	2	Lift Lug,Small,6800#	0.806 lbmass	
18	TB000817	2	Holder,Brass Label	0.275 lbmass	
19	TB000813	1	Label,SwRI Above Ground Storage Tank	0.002 lbmass	
20	TB000822	1	Label,H,Tank Requires Emer. Relief	0.047 lbmass	
21	TB000826	1	Label,K,Vent Space Between Outer & Inner	0.047 lbmass	

DATE	REV	DESCRIPTION	ECN NO.	BY
6/2/2015	3	UPDATED SKID PROFILE	E2015-0068	TWS
1/14/2015	2	FIXED HEAD SIZES		DCLAUDE
1/8/2015	1	ADD 1" WF AND PLUG		Tstoll
12/30/2014	0	RELEASE		Tstoll

NOTES:
1) FINISH:
EXTERIOR: PRIME GREY, WHITE PAINT W/FAST DRYING ENAMEL
INTERIOR: NO COATING

<p>UNLESS OTHERWISE SPECIFIED: UNITS = INCHES TOLERANCE: LINEAR ±1/8" ANGULAR ±1/2"</p>	<p>4401 West Main Fargo, ND 58103 Phone: 701-282-2345 Fax: 701-282-5516 TrueNorthSteel.com</p>	
	<p>DRAWN: Tstoll DATE: 10/16/2014 CHECKED: DATE:</p>	