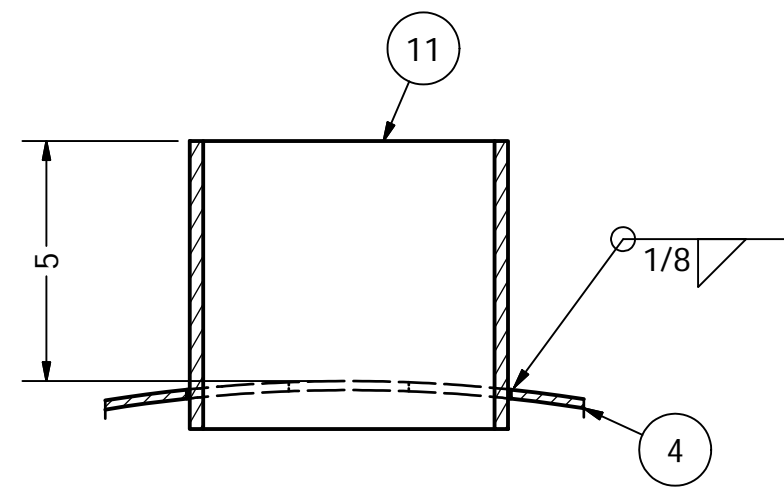
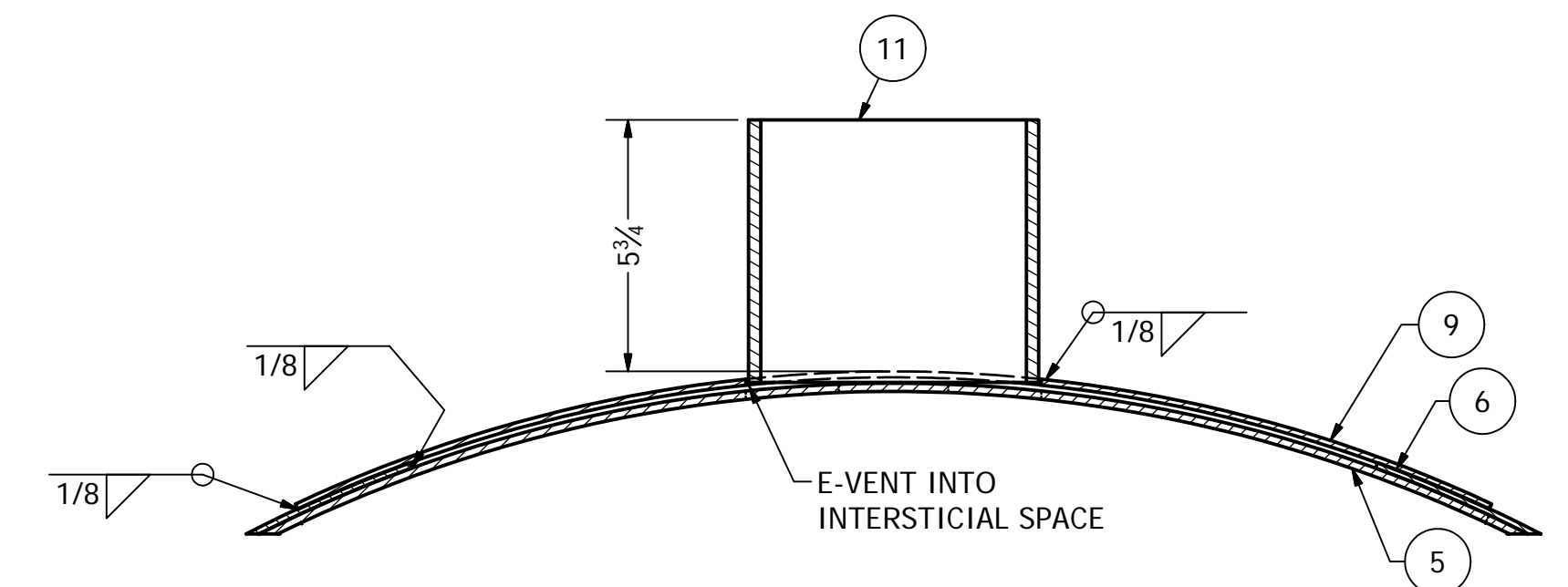
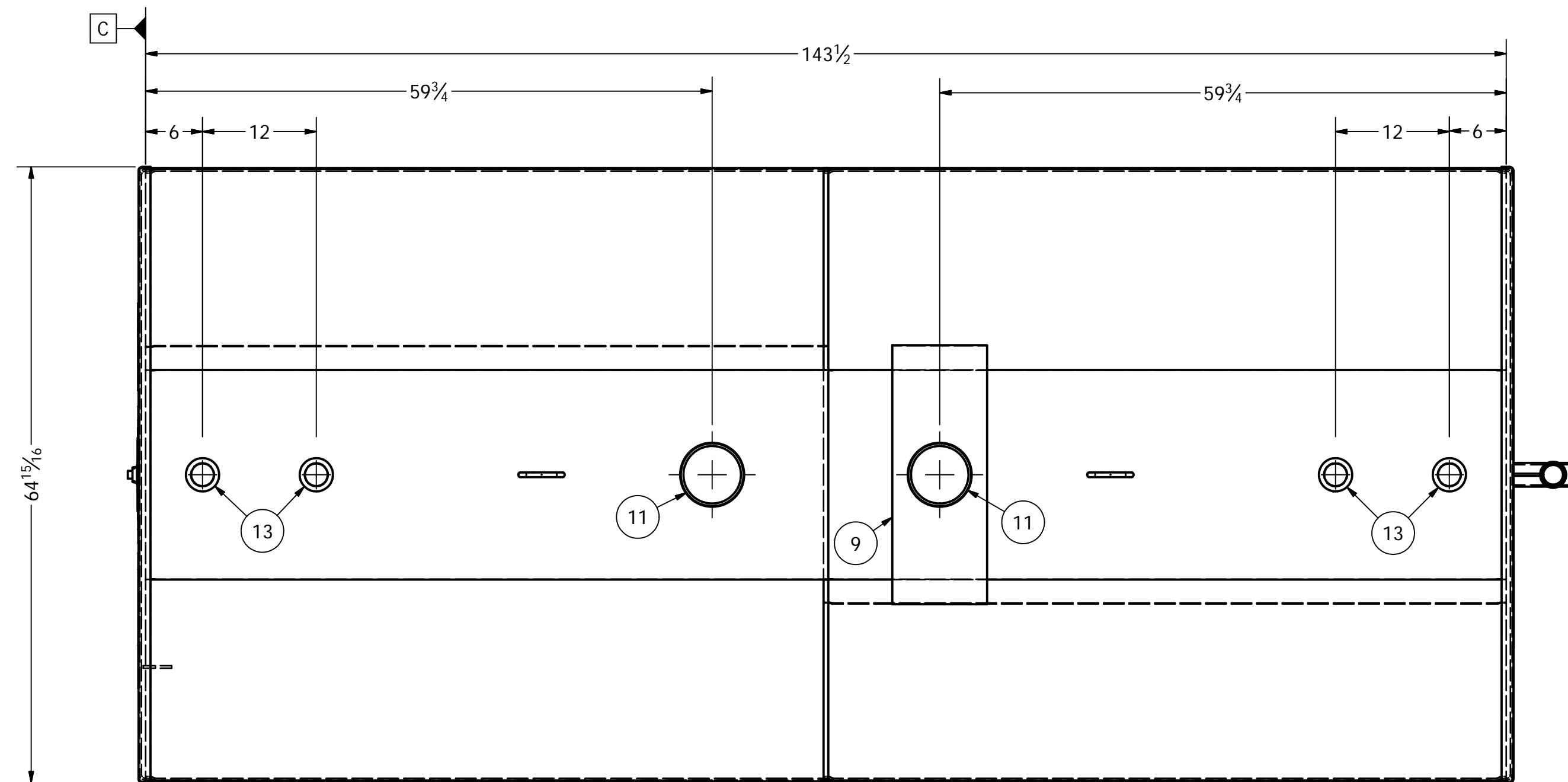


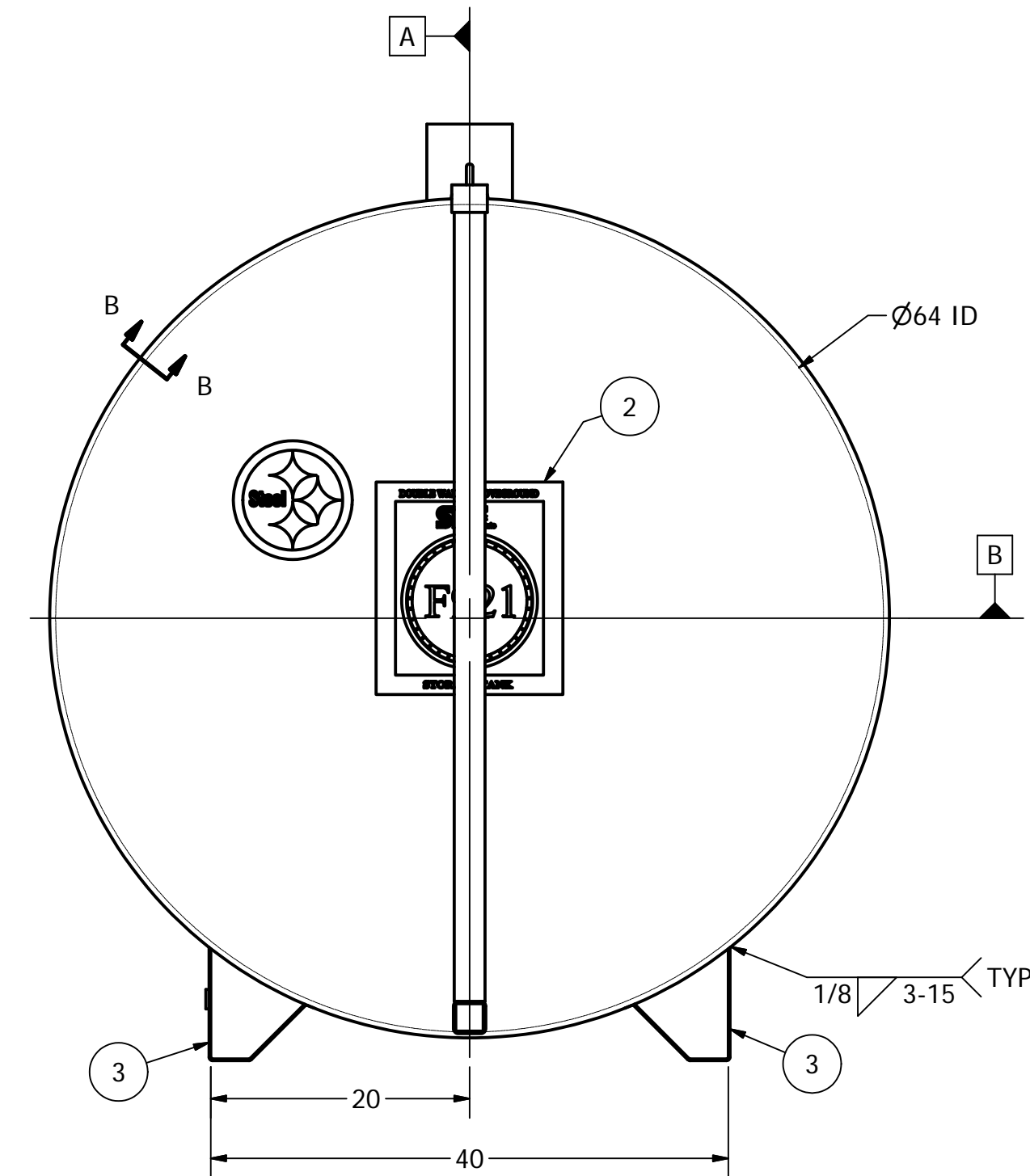
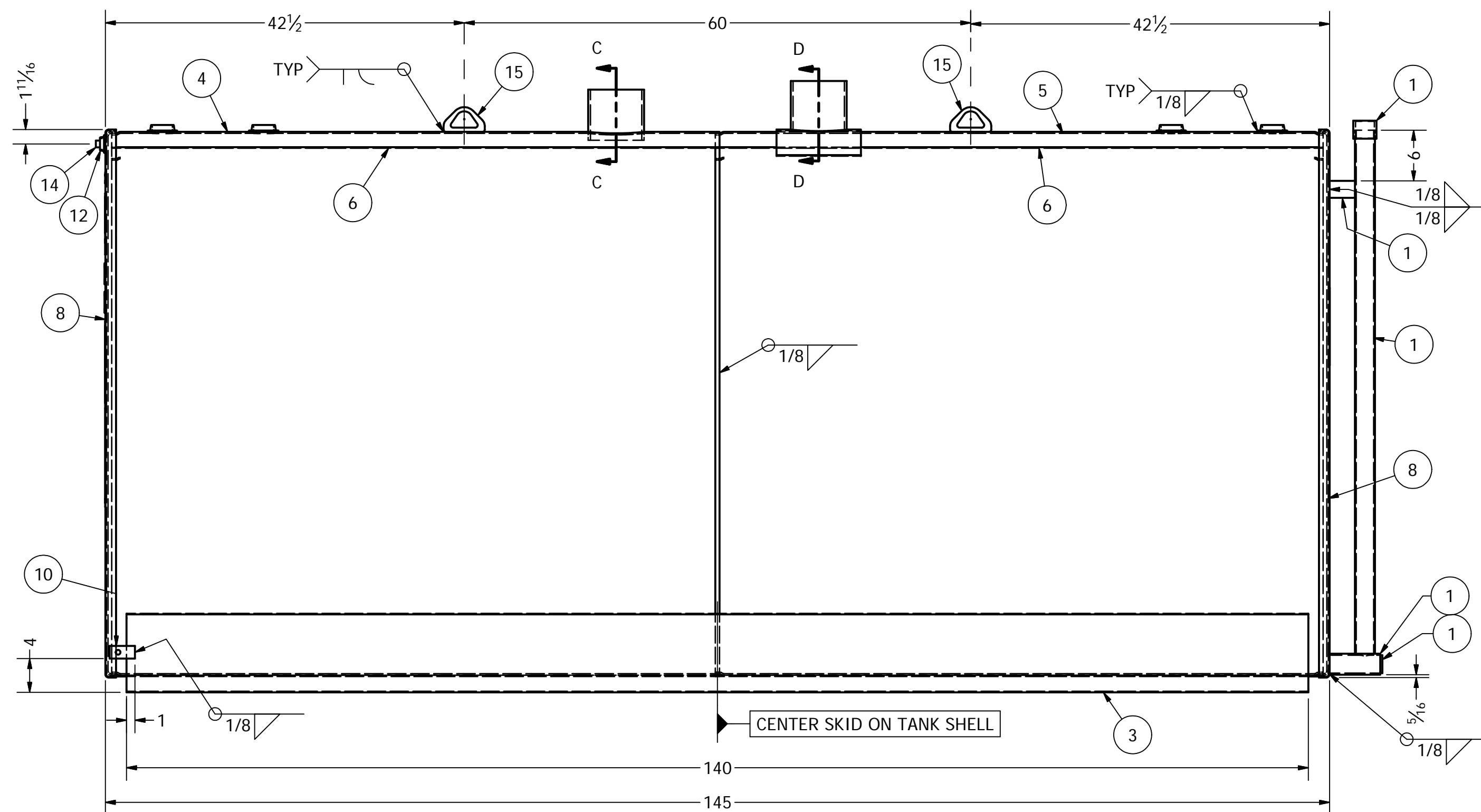
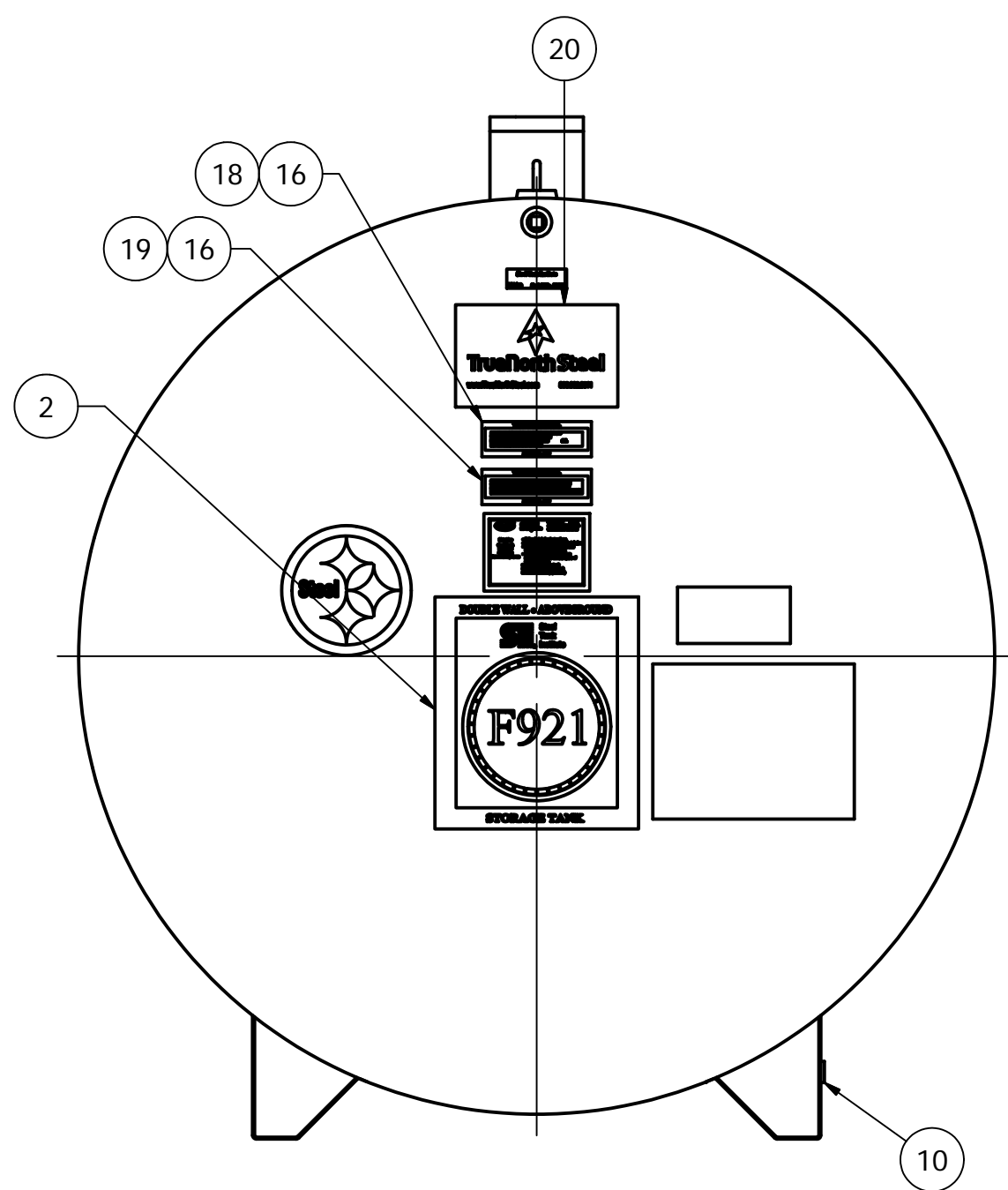
SECTION B-B
SCALE 1



SECTION C-C
SCALE 1/4



SECTION D-D
SCALE 1/4



PARTS LIST					
ITEM	STOCK #	QTY	DESCRIPTION	MASS	NOTES
1	2000-0001	1	Monitor Pipe Assy,64 Tank	23.476 lbmass	
2	TB000811	1	Label Kit,F921	0.303 lbmass	
3	3000-0013	2	Skid,SSP64,.135,140,40sp,STI	102.965 lbmass	
4	3000-0020	1	Shell,.188,64id,72,360d,Ofst1	774.519 lbmass	
5	3000-0021	1	Shell,.188,64id,72,360d,Ofst2	774.937 lbmass	
6	3000-0026	2	Shell,.135,64.375id,72,320d	496.587 lbmass	
7	3000-0032	2	Head,Circle,.188,64id,.938flng	181.455 lbmass	
8	3000-0033	2	Head,Circle,.135,64.645id,1.125flng	134.347 lbmass	
9	3000-0038	1	E-Vent Plate,.135,10x28.125,64 Tank	10.777 lbmass	
10	TC000778	1	Grounding Lug,.250,1.5x3.0	0.301 lbmass	
11	TB001382	2	Pipe,6,Sch40,6,TOE	9.497 lbmass	
12	TB002015	1	Weld Flange,Threaded,1, BLK	0.190 lbmass	
13	TB002022	4	Weld Flange,Threaded,2,BLK	0.534 lbmass	
14	TB002170	1	Pipe Plug,1,Square Head,BLK	0.378 lbmass	
15	TB000905	2	Lift Lug,Small,6800#	0.806 lbmass	
16	TB000817	2	Holder,Brass Label,Fargo	0.275 lbmass	3950-0036, HURON
18	TB000822	1	Label,H,Tank Requires Emer. Relief	0.047 lbmass	
19	TB000826	1	Label,K,Vent Space Between Outer & Inner	0.047 lbmass	
20	TB000219	1	Decal,10" Black TrueNorth Steel	0.017 lbmass	

DATE	REV	DESCRIPTION	ECN NO.	BY
5/6/2016	4	CHANGE TO 140" SKID; UPDATE NOTES	E2016-0227	TWS
6/26/2015	3	ADDED TNS DECAL	NC-2764	DCLAUDE
6/2/2015	2	UPDATED SKID PROFILE	E2015-0068	TWS
1/7/2015	1	ADD 1" WF AND PLUG		Tstoll
12/30/2014	0	RELEASE		Tstoll

NOTES:
 1) FINISH:
 EXTERIOR: PRIME GREY, WHITE PAINT W/FAST DRYING ENAMEL
 INTERIOR: NO COATING
 2) REQUIRED VENTING CAPACITY - 194,522.11 (ft³/hr)
 3) BUILD & TESTING
 THIS TANK SHALL BE BUILT & TESTED IN ACCORDANCE WITH STI-F921 STANDARD FOR ABOVE GROUND TANKS

	4401 West Main Fargo, ND 58103 Phone: 701-282-2345 Fax: 701-282-5516 TrueNorthSteel.com		
	UNLESS OTHERWISE SPECIFIED: UNITS = INCHES TOLERANCE: LINEAR ±1/8" ANGULAR ±1/2"	DRAWN: Tstoll CHECKED: DATE DATE: 10/16/2014	