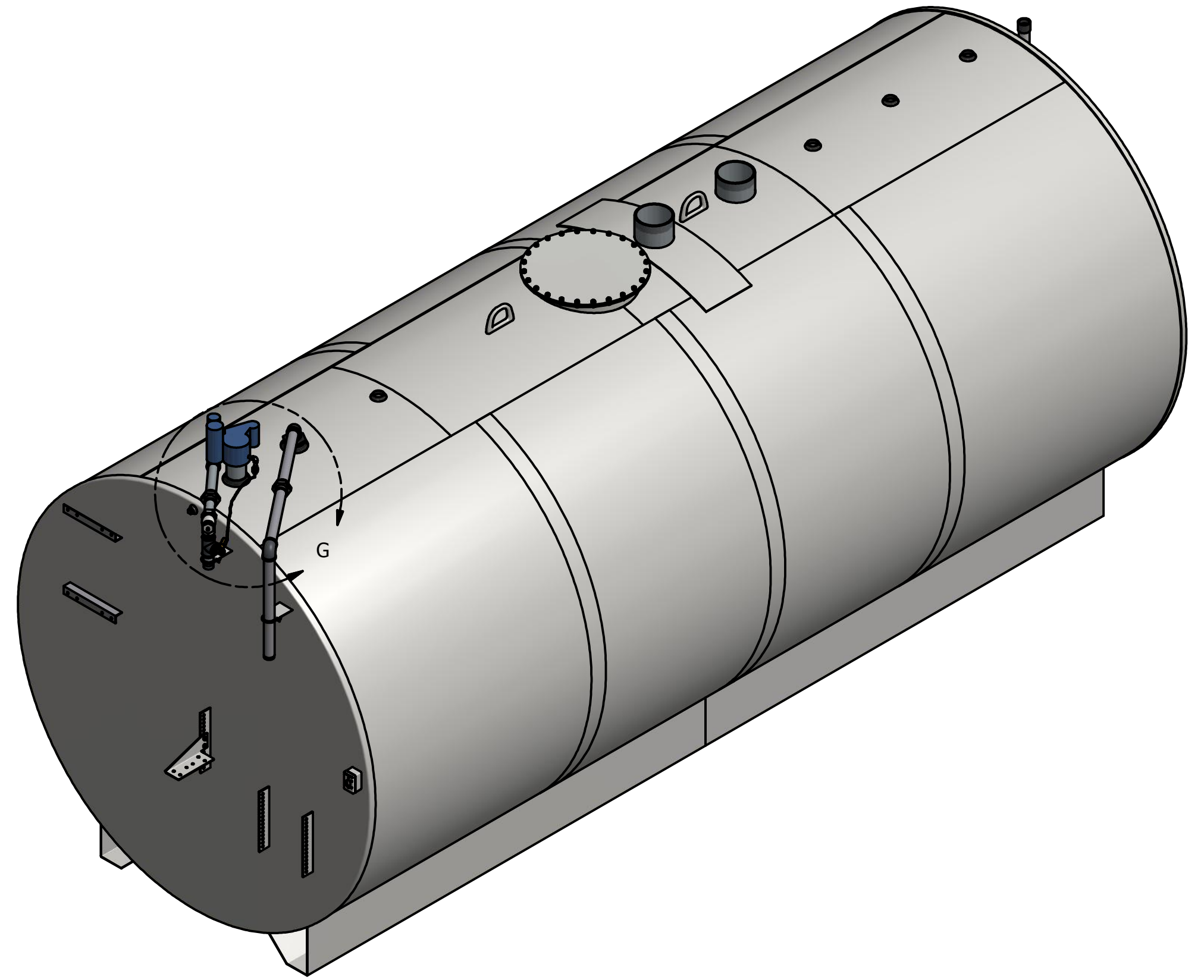


DETAIL G



| | | |
|----------------------------------------------------------------------------------------------------------------------------------------------------------------|----------------------------------------------------------------------------------------------------------------------------------------------------|-------------------------------------|
| <p>UNLESS OTHERWISE SPECIFIED:</p> <p>UNITS = INCHES</p> <p>TOLERANCE:</p> <p>LINEAR ±1/8"</p> <p>ANGULAR ±1/2"</p> | <p>4401 West Main Fargo, ND 58103 Phone: 701-282-2345 Fax: 701-282-5516 TrueNorthSteel.com</p> | |
| | <p>DRAWN: DCLAUDE</p> <p>CHECKED: DATE</p> | <p>DATE: 1/23/2015</p> <p>DATE:</p> |
| <p>THIS DRAWING IS THE SOLE PROPERTY OF TRUENORTH STEEL INC. ANY COPIES/EDITS MADE WITHOUT THE WRITTEN CONSENT OF TRUENORTH STEEL, IS STRICTLY PROHIBITED.</p> | | |
| | | <p>SHEET 2 OF 2</p> |