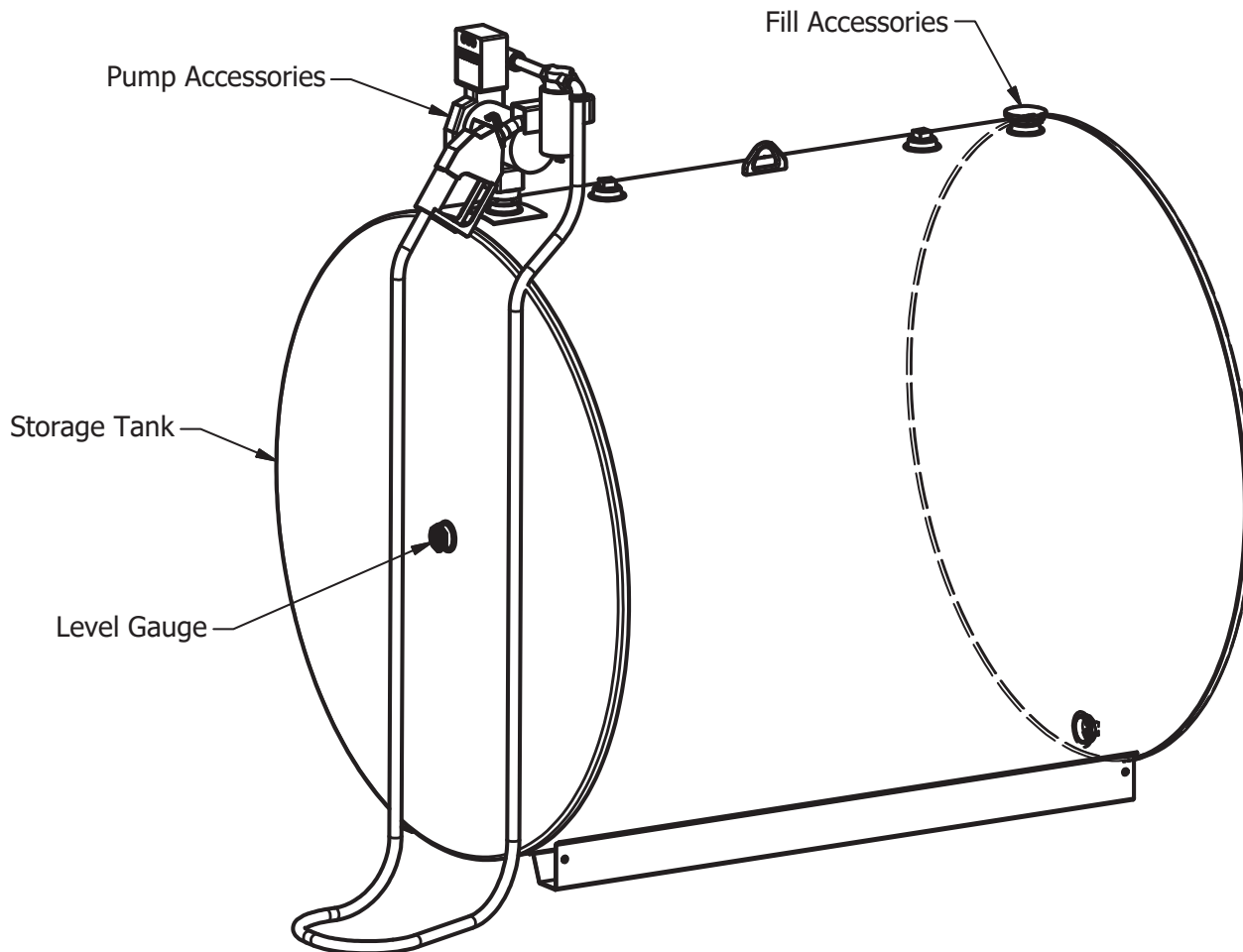


# FARM SKID STORAGE TANK MANUAL FILL-RITE® PUMP

## FEATURES

1. Storage Tank
2. Fill Accessories
3. Level Gauge
4. Pump Accessories



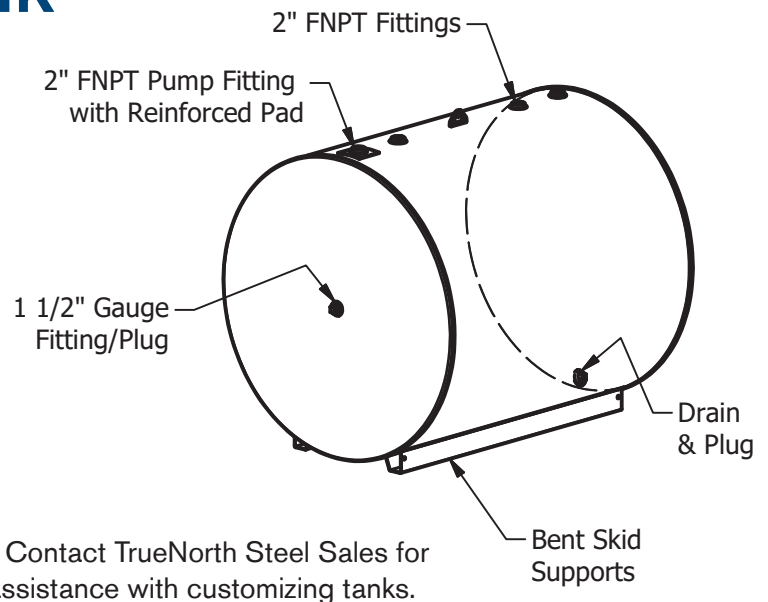
Document #4000-0028

## FEATURE 1: STORAGE TANK

1. Steel tank of specified size and color
2. Three 2" FNPT fittings standard, other sizes and customized layout available upon request
3. One 2" FNPT fitting reinforced for pump
4. One 1 1/2" FNPT fitting with plug for level gauge
5. One drain fitting with plug
6. Bent skid supports standard

### STANDARD SIZES AND PART NUMBERS

<b>1002-0022</b>	38"X5'	300 Gallon
<b>1002-0023</b>	48"X6'	550 Gallon
<b>1002-0016</b>	64"X6'	1000 Gallon
<b>1002-0010</b>	64"X12'	2000 Gallon
<b>1002-0139</b>	64"X18'	3000 Gallon
<b>1002-0012</b>	64"X24'	4000 Gallon



## FEATURE 2: FILL ACCESSORIES

### STANDARD PART NUMBERS

- TB000340** Gas, fill cap, PetroClear® TV-2  
**TB000334** Diesel, hinged fill cap, Morrison Bros. Co. 179 M  
**TB001395** Plug, 2", for all open fittings

\* Contact TrueNorth Steel Sales for assistance with alternative fill accessories if needed.

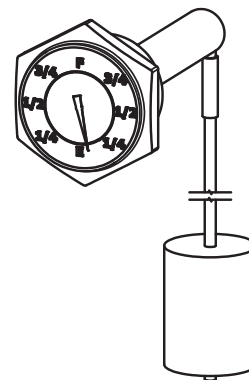


## FEATURE 3: LEVEL GAUGE

### STANDARD LEVEL GAUGE

- TB000300** Gauge, Rochester F7183, 1 1/2"

\* Contact TrueNorth Steel Sales for assistance with alternative gauge accessories if needed.



## FEATURE 4: PUMP ACCESSORIES

### ITEMS FOR GASOLINE PUMPS

**TB001533** Pump, Fill-Rite® 700, 20 gpm, 3/4"X12' hose, no meter

**TB001534** Pump, Fill-Rite® 701, 20 gpm, 3/4"X12' hose, mechanical meter

**TB001045** Optional nozzle, Harco 11T, automatic

**TB000354** Filter head, 3/4" NPT

**TB000363** Filter

**TB001338** 3/4"X7" pipe nipple, 1/pump (metered pump)

**TB001355** 3/4"X3" pipe nipple, 2/pump (non-metered pump)

**TB001242** 3/4"X90" pipe elbow, 1/pump (non-metered pump)

### ITEMS FOR DIESEL PUMPS

**3900-0268** Pump, Fill-Rite® 711, 20 gpm, 1"X18' hose, mechanical meter

**TB001531** Pump, Fill-Rite® 319, 35 gpm, 1"X18' hose, digital meter

**TB000355** Filter head, 1" NPT

**TB000376** Filter

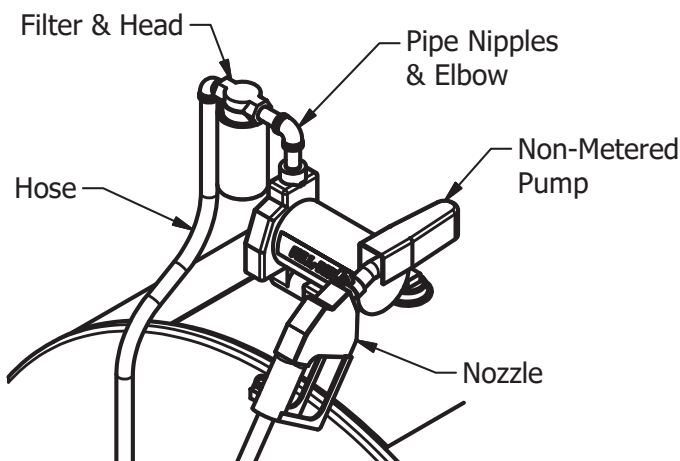
**TB001349** 1"X8" pipe nipple, 2/pump

### SUCTION PIPES

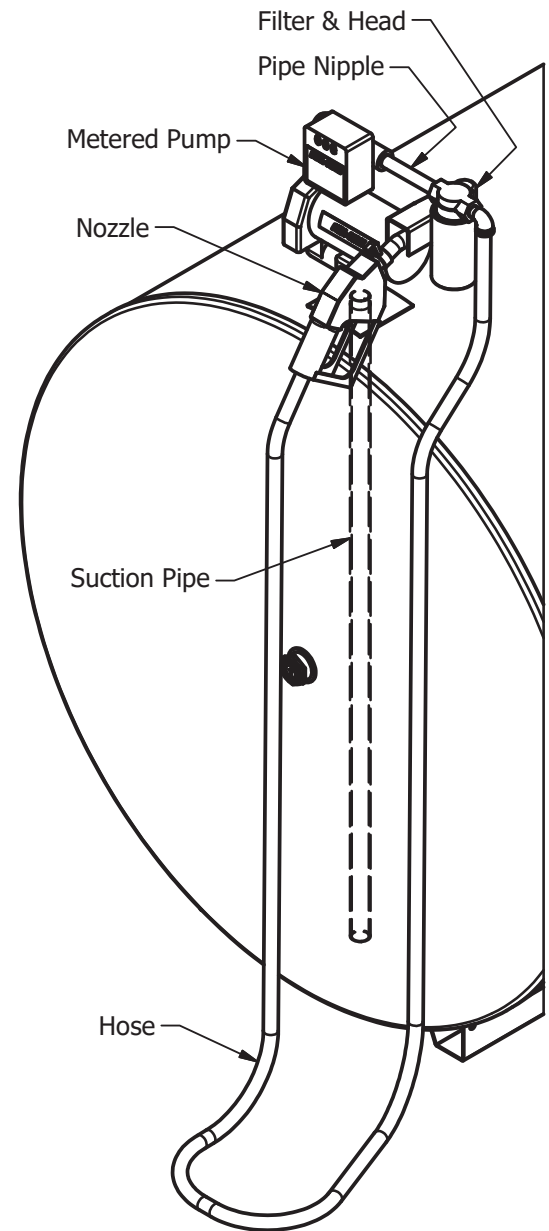
**TC000940** 1 1/4"X37" pipe, 38" diameter tank

**3200-1428** 1 1/4"X47" pipe, 48" diameter tank

**3200-1426** 1 1/4"X63" pipe, 64" diameter tank



Non-Metered Pump System



Metered Pump System