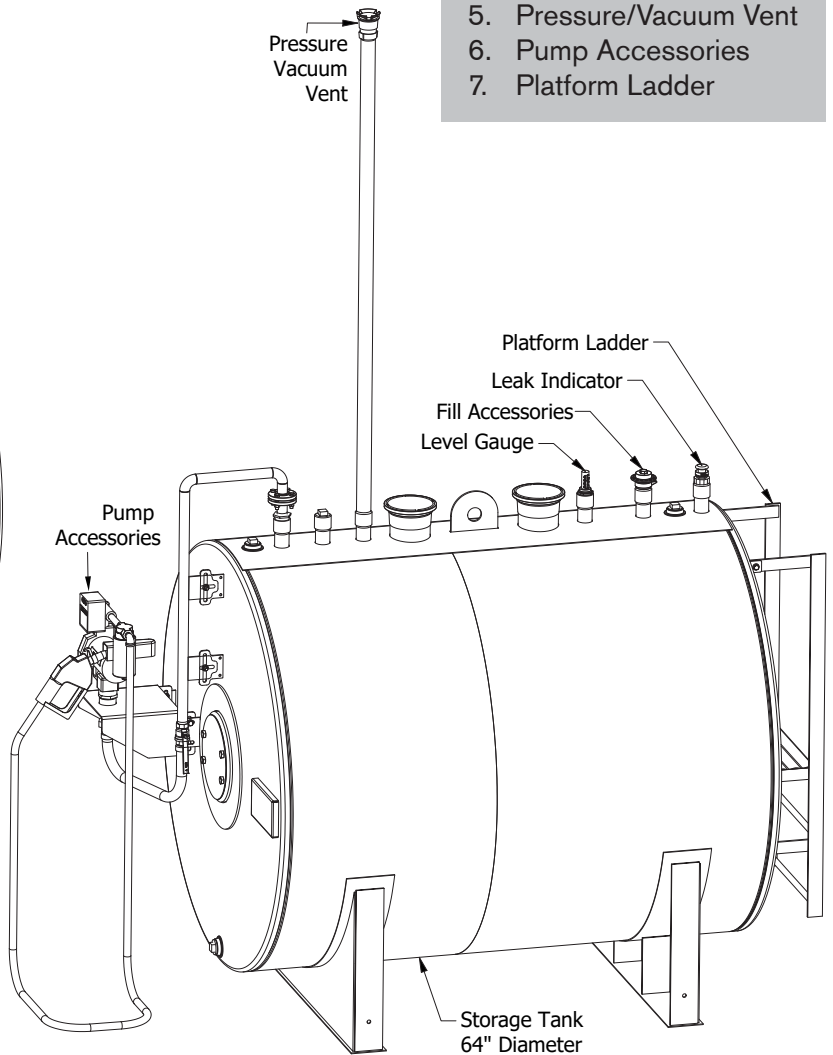
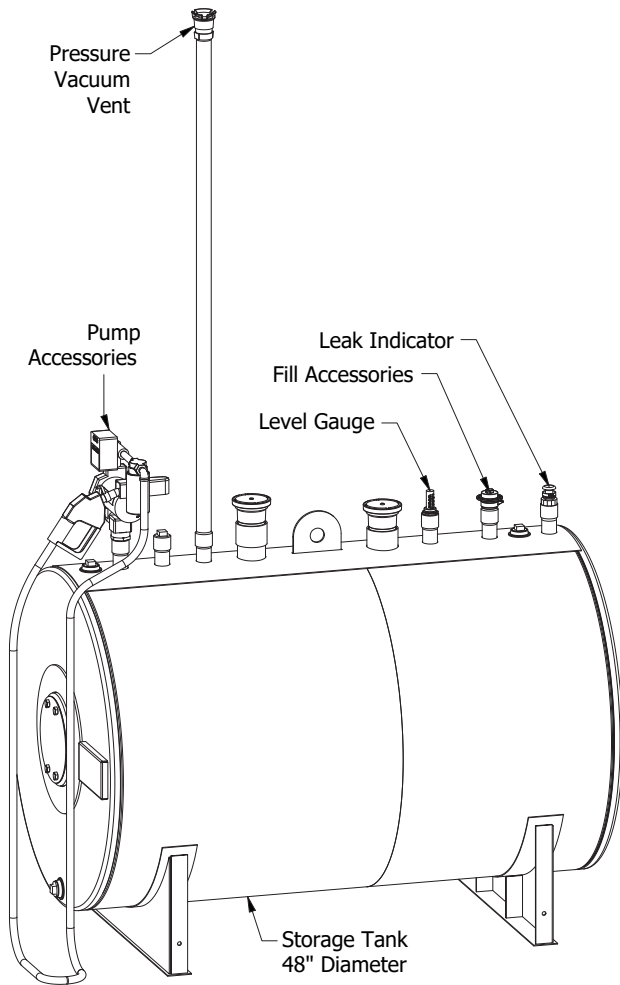


FIREGUARD® HORIZONTAL STORAGE TANK MANUAL FILL-RITE® PUMP



FEATURES

1. Storage Tank
2. Fill Accessories
3. Level Gauge
4. Leak Detection
5. Pressure/Vacuum Vent
6. Pump Accessories
7. Platform Ladder

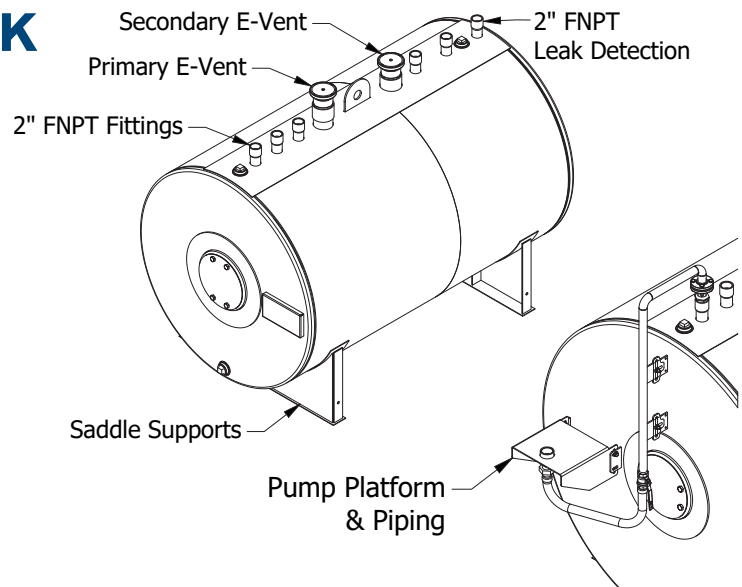
Document #4000-0026

FEATURE 1: STORAGE TANK

1. Steel tank of specified size and color
2. Two Morrison Bros. Co. emergency vents for primary and secondary tanks
3. One 2" NPT fitting for secondary leak detection
4. Five 2" FNPT fittings standard, other sizes and customized layout available upon request
5. Saddle supports standard
6. Pump platform and piping included on tanks of 64" diameter and over

STANDARD SIZES AND PART NUMBERS

1006-0320	38"X5'	300 Gallon
1006-0315	48"X6'	550 Gallon
1006-0319	48"X11'	1000 Gallon
1006-0316	64"X6'	1000 Gallon
1006-0268	64"X12'	2000 Gallon



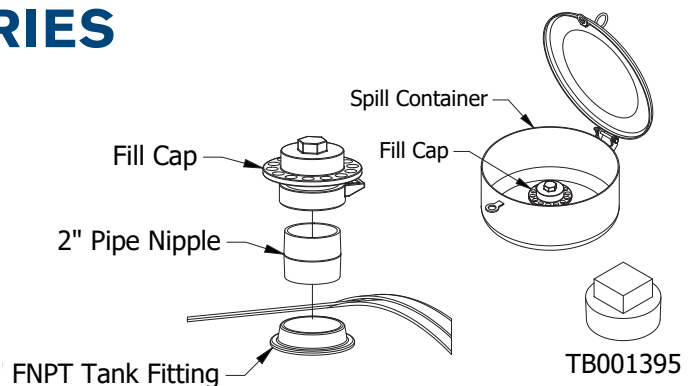
* Contact TrueNorth Steel Sales for assistance with customizing tanks.

FEATURE 2: FILL ACCESSORIES

STANDARD PART NUMBERS

- TB000333** Fill cap, 2", Morrison Bros. Co. 178-0300 AC
TB001369 Pipe nipple, 2", close-length
TB002054 Optional spill container, 3 1/2 gallon Morrison Bros. Co. 517-000 AC
TB001395 Plug, 2", for all open fittings

* Contact TrueNorth Steel Sales for assistance with alternative fill accessories if needed.

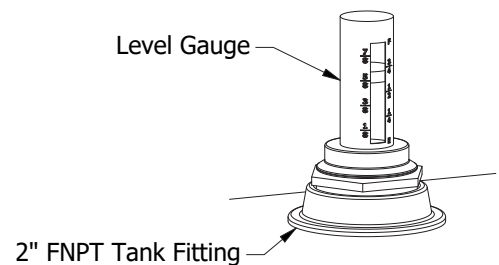


FEATURE 3: LEVEL GAUGE

STANDARD PART NUMBERS

- 3900-0998** Gauge, At-A-Glance, Model D-2-56, 48" Fireguard® tank
TB000501 Gauge, At-A-Glance, Model D-2-72, 64" Fireguard® tank

* Contact TrueNorth Steel Sales for assistance with alternative gauge accessories if needed.

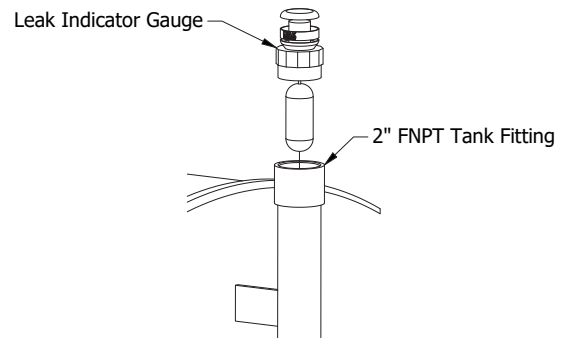


FEATURE 4: LEAK DETECTION

STANDARD LEAK INDICATOR GAUGE

3900-0867 Morrison Bros. Co. 724 Leak Indicator Gauge

* Contact TrueNorth Steel Sales for assistance with alternative leak detection accessories if necessary.



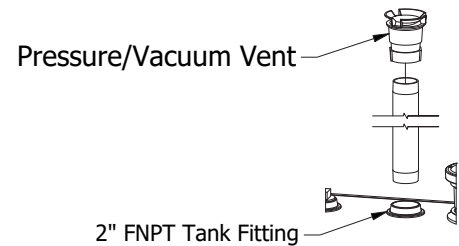
FEATURE 5: PRESSURE/VACUUM VENT

STANDARD PART NUMBERS

TB002185 Pressure/vacuum vent, Morrison Bros. Co.
749-0100 AV

3200-0616 Riser pipe, 2"X7', galvanized

* Contact TrueNorth Steel Sales for assistance with alternative venting accessories if needed.



FEATURE 6: PUMP ACCESSORIES

ITEMS FOR GASOLINE PUMPS

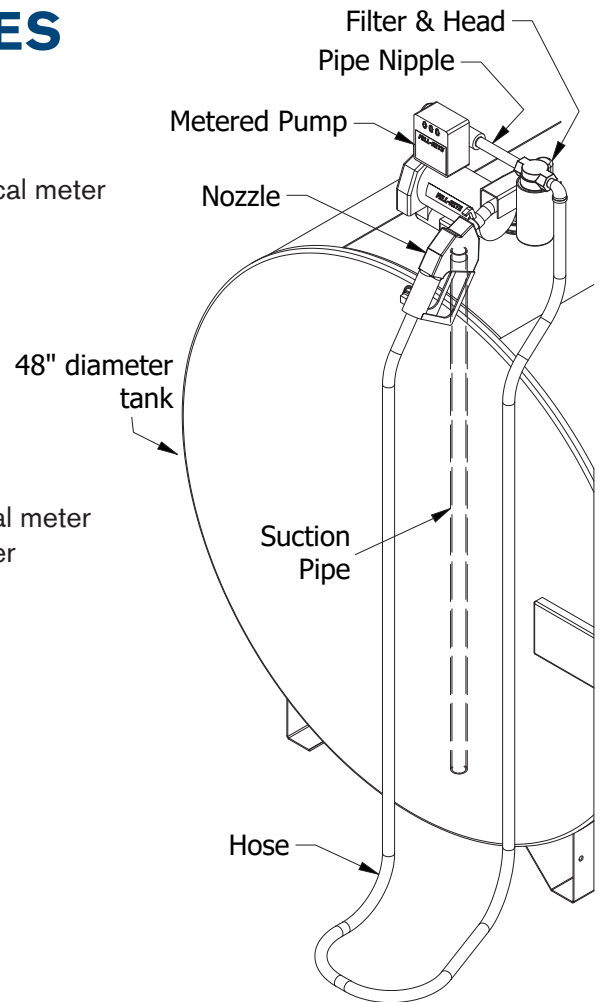
- TB001533** Pump, Fill-Rite® 700, 20 gpm, 3/4"X12' hose, no meter
- TB001534** Pump, Fill-Rite® 701, 20 gpm, 3/4"X12' hose, mechanical meter
- TB001045** Optional nozzle, Harco 11T, automatic
- TB000354** Filter head, 3/4" NPT
- TB000363** Filter
- TB001338** 3/4"X7" pipe nipple, 1/pump (metered pump)
- TB001355** 3/4"X3" pipe nipple, 2/pump (non-metered pump)
- TB001242** 3/4"X90" pipe elbow, 1/pump (non-metered pump)

ITEMS FOR DIESEL PUMPS

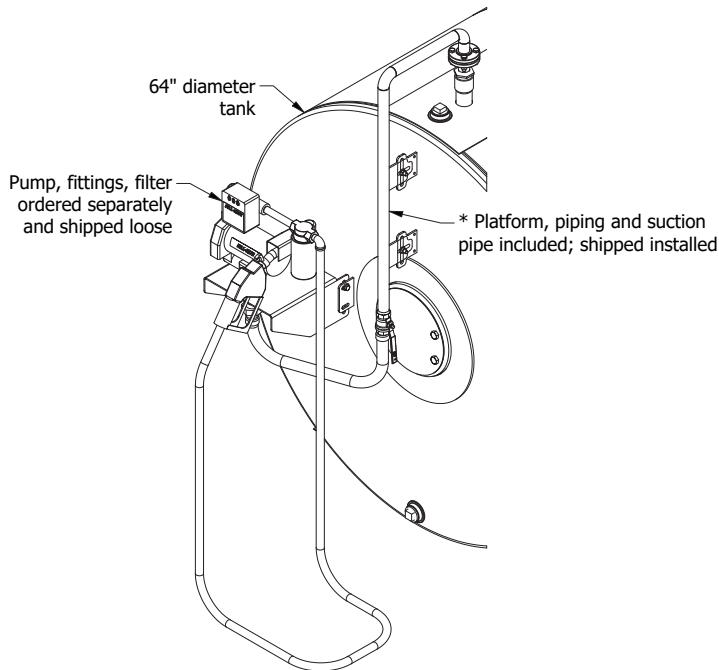
- 3900-0268** Pump, Fill-Rite® 711, 20 gpm, 1"X18' hose, mechanical meter
- TB001531** Pump, Fill-Rite® 319, 35 gpm, 1"X18' hose, digital meter
- TB000355** Filter head, 1" NPT
- TB000376** Filter
- TB001349** 1"X8" pipe nipple, 2/pump

SUCTION PIPES

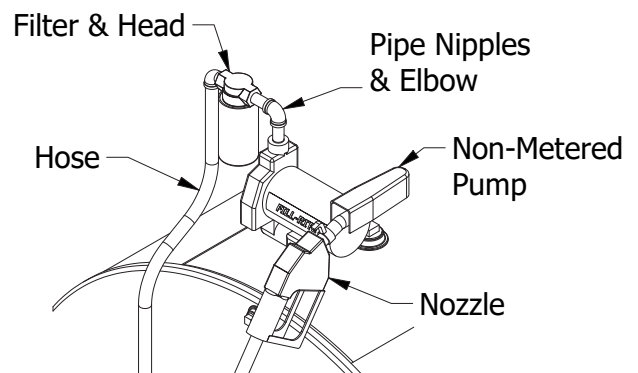
- 3200-1437** 1 1/4"X55" pipe, 48" diameter tank
- 3200-1020** 1 1/4"X71" pipe, 64" diameter tank



Metered Pump System



64" with Pump Platform



Non-Metered Pump System

FEATURE 7: PLATFORM LADDER

Ships as an installed option on the tank when specified through sales request.

Bolt-on ladder assembly, painted finish. Color is same as tank unless specified otherwise.

Grip-strut standing platform for access to fittings on top of tank.

STANDARD LADDER ASSEMBLIES, LENGTH, AND TANK SIZE

2000-2856 48" - size 48 diameter tanks

2000-2855 60" - size 64 diameter tanks

2000-2857 72" - size 72 diameter tanks

2000-2858 84" - size 84 diameter tanks

(other sizes available in 1' increments up to 132" length)

* Contact TrueNorth Steel Sales for assistance with alternative ladder and platform accessories if needed.

