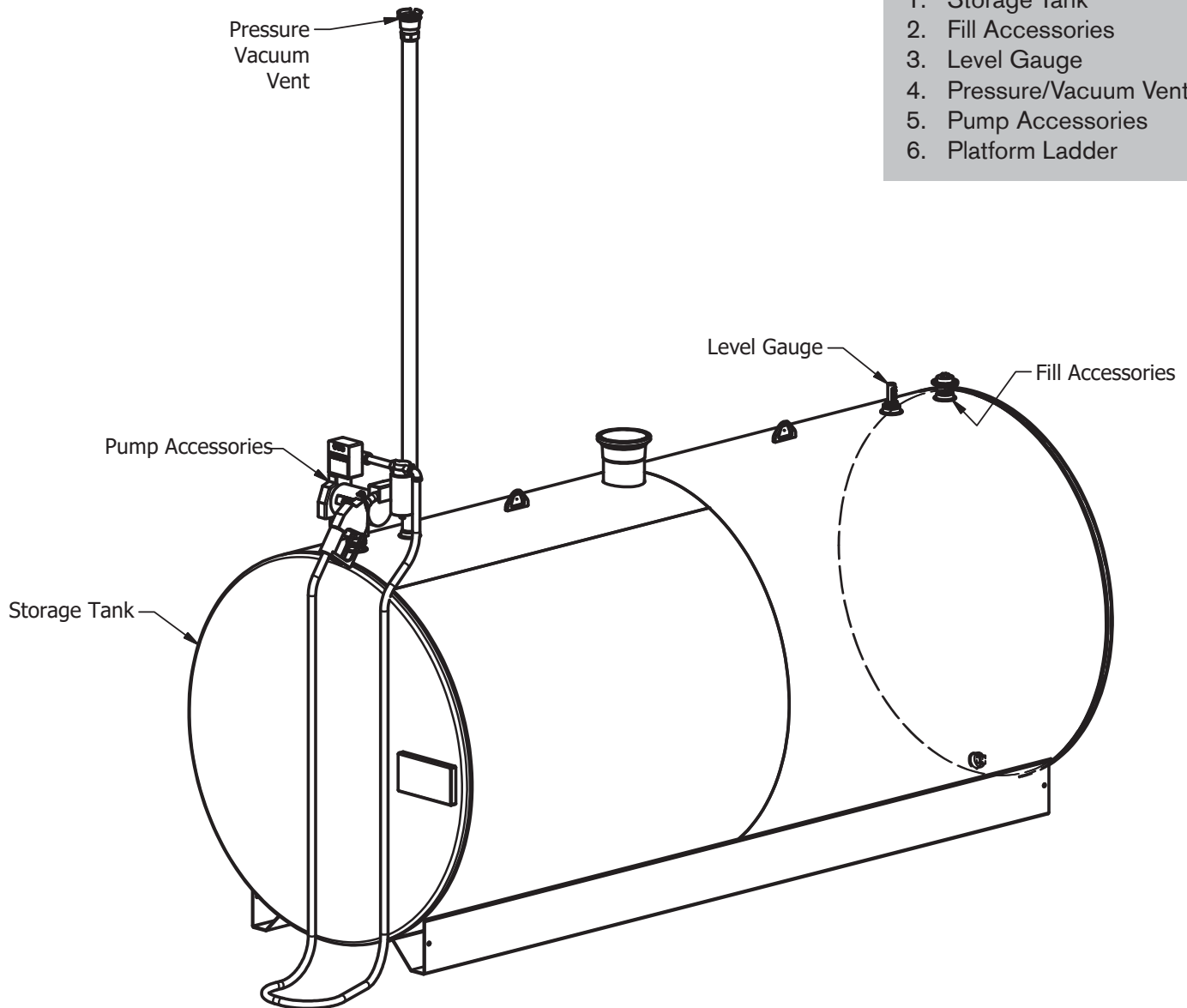


# SINGLE WALL HORIZONTAL STORAGE TANK MANUAL FILL-RITE® PUMP

## FEATURES

1. Storage Tank
2. Fill Accessories
3. Level Gauge
4. Pressure/Vacuum Vent
5. Pump Accessories
6. Platform Ladder



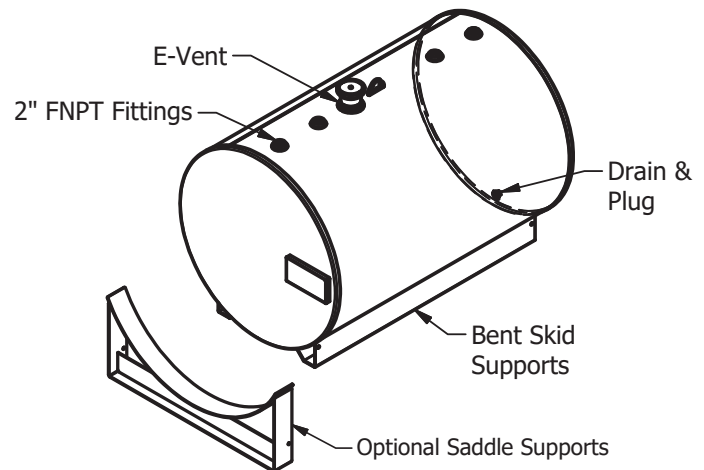
Document #4000-0024

## FEATURE 1: STORAGE TANK

1. Steel tank of specified size and color
2. Morrison Bros. Co. emergency vent
3. Four 2" NPT fittings standard, other sizes and customized layout available upon request
4. Bent skid supports standard, optional saddles available upon request
5. Drain NPT flange with plug

### STANDARD SIZES AND PART NUMBERS

<b>1004-0086</b>	38"X5'	300 Gallon
<b>1004-0087</b>	48"X6'	550 Gallon
<b>1004-0093</b>	64"X6'	1000 Gallon
<b>1004-0088</b>	64"X12'	2000 Gallon
<b>1004-0089</b>	72"X19'	4000 Gallon



\* Contact TrueNorth Steel Sales for assistance in customizing tanks.

## FEATURE 2: FILL ACCESSORIES

### STANDARD PART NUMBERS

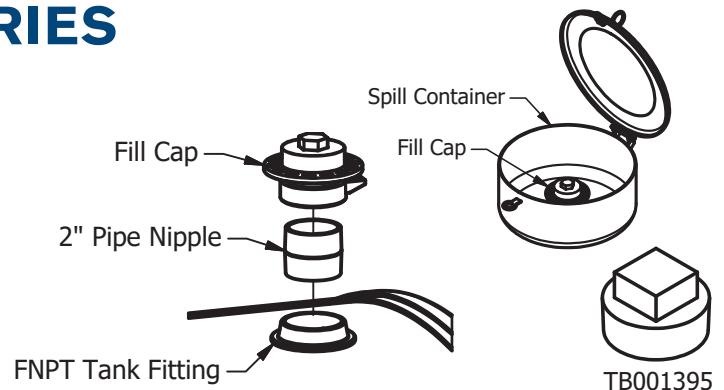
**TB000333** Fill cap, 2", Morrison Bros. Co. 178-0300 AC

**TB001369** Pipe nipple, 2", close-length

**TB002054** Optional spill container, 3 1/2 gallon Morrison Bros. Co. 517-000 AC

**TB001395** Plug, 2", for all open fittings

\* Contact TrueNorth Steel Sales for assistance with alternative fill accessories if needed.



## FEATURE 3: LEVEL GAUGE

### STANDARD PART NUMBERS

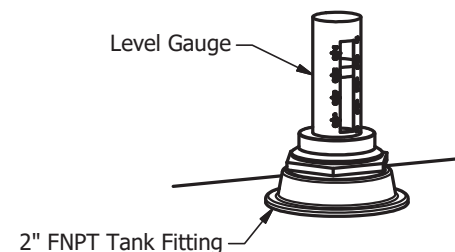
**TB000495** Gauge, At-A-Glance, Model D-2-36, 36" & 38" tanks

**TB000498** Gauge, At-A-Glance, Model D-2-48, 48" tank

**TB000500** Gauge, At-A-Glance, Model D-2-64, 64" tank

**TB000501** Gauge, At-A-Glance, Model D-2-72, 72" tank

\* Contact TrueNorth Steel Sales for assistance with alternative gauge accessories if needed.



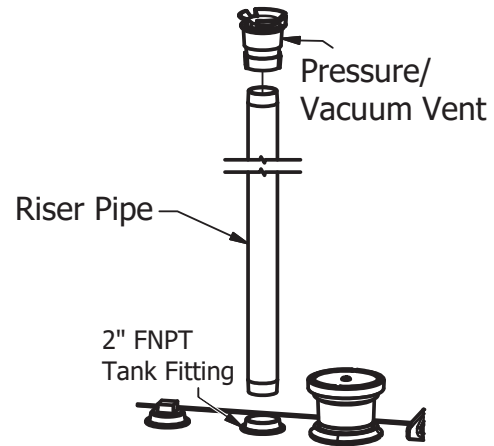
## FEATURE 4: PRESSURE/VACUUM VENT

### STANDARD PART NUMBERS

**TB002185** Pressure/vacuum vent, Morrison Bros. Co.  
749-0100 AV

**3200-0616** Riser pipe, 2"X7', galvanized

\* Contact TrueNorth Steel Sales for assistance with alternative venting accessories if needed.



## FEATURE 5: PUMP ACCESSORIES

### ITEMS FOR GASOLINE PUMPS

- TB001533** Pump, Fill-Rite® 700, 20 gpm, 3/4"X12' hose, no meter
- TB001534** Pump, Fill-Rite® 701, 20 gpm, 3/4"X12' hose, mechanical meter
- TB001045** Optional nozzle, Harco 11T, automatic
- TB000354** Filter head, 3/4" NPT
- TB000363** Filter
- TB001338** 3/4"X7" pipe nipple, 1/pump (metered pump)
- TB001355** 3/4"X3" pipe nipple, 2/pump (non-metered pump)
- TB001242** 3/4"X90" pipe elbow, 1/pump (non-metered pump)

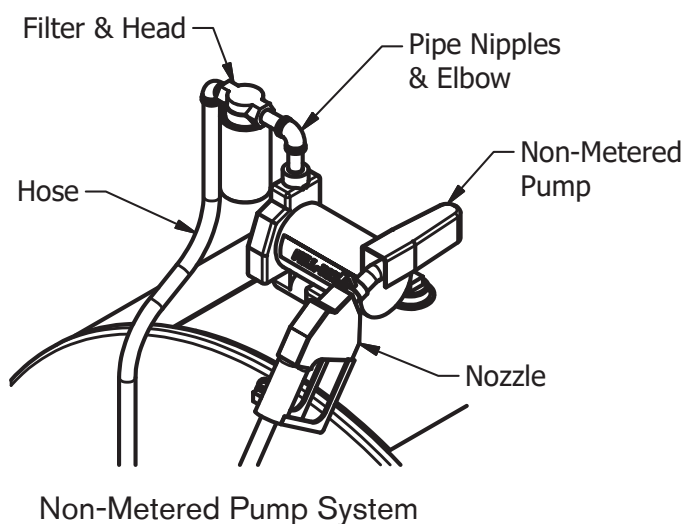
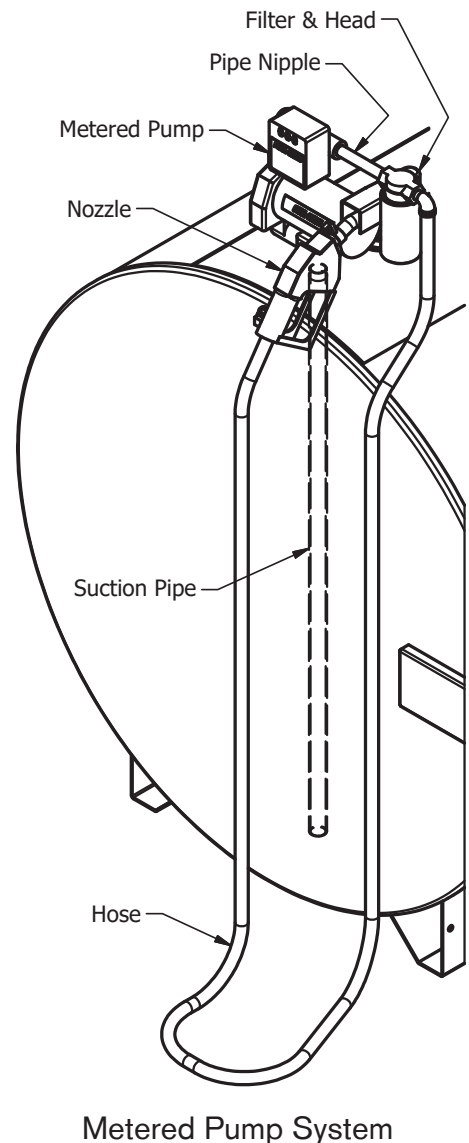
### ITEMS FOR DIESEL PUMPS

- 3900-0268** Pump, Fill-Rite® 711, 20 gpm, 1"X18' hose, mechanical meter
- TB001531** Pump, Fill-Rite® 319, 35 gpm, 1"X18' hose, digital meter
- TB000355** Filter head, 1" NPT
- TB000376** Filter
- TB001349** 1"X8" pipe nipple, 2/pump

### SUCTION PIPES

- TC000940** 1 1/4"X37" pipe, 38" diameter tank
- 3200-1428** 1 1/4"X47" pipe, 48" diameter tank
- 3200-1426** 1 1/4"X63" pipe, 64" diameter tank
- 3200-1020** 1 1/4"X71" pipe, 72" diameter tank

\* Contact TrueNorth Steel Sales for assistance with alternative pump accessories if needed.



## FEATURE 6: PLATFORM LADDER

Ships as an installed option on the tank when specified through sales request.

Bolt-on ladder assembly, painted finish. Color is same as tank unless specified otherwise.

Grip-strut standing platform for access to fittings on top of tank.

### STANDARD LADDER ASSEMBLIES, LENGTH, AND TANK SIZE

**2000-2856** 48" - size 64 diameter tanks

**2000-2855** 60" - size 72 diameter tanks

**2000-2857** 72" - size 84 diameter tanks

(other sizes available in 1' increments up to 132" length)

\* Contact TrueNorth Steel Sales for assistance with alternative ladder and platform accessories if needed.

