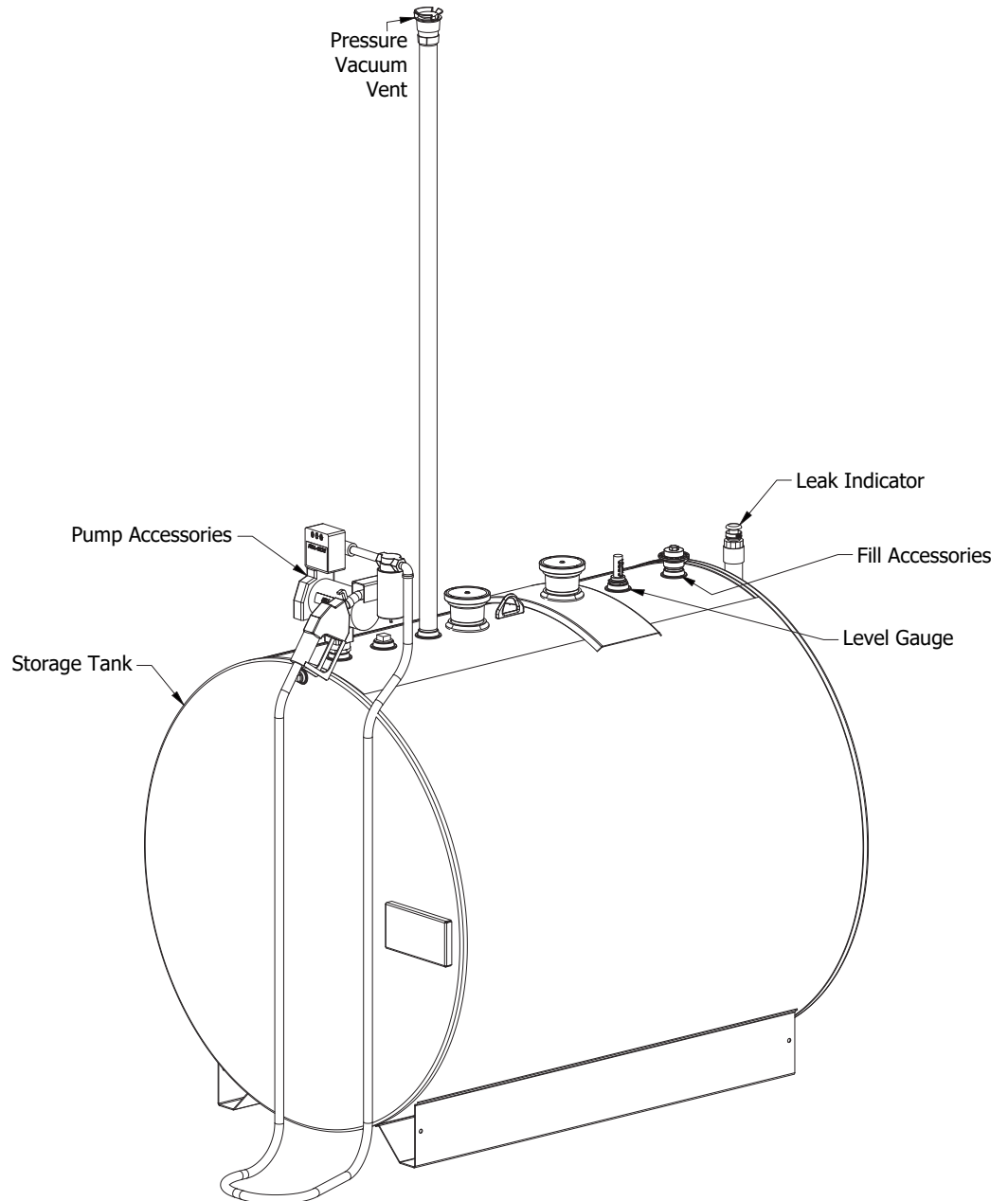


FLAMESHIELD® HORIZONTAL STORAGE TANK MANUAL FILL-RITE® PUMP



FEATURES

1. Storage Tank
2. Fill Accessories
3. Level Gauge
4. Leak Detection
5. Pressure/Vacuum Vent
6. Pump Accessories
7. Platform Ladder

Document #4000-0022

FEATURE 1: STORAGE TANK

1. Steel tank of specified size and color
2. Two Morrison Bros. Co. emergency vents for primary and secondary tanks
3. One 2" NPT fitting for secondary leak detection
4. Five 2" FNPT fittings standard, other sizes and customized layout available upon request
5. Bent skid supports standard, optional saddles available upon request

STANDARD PART NUMBERS

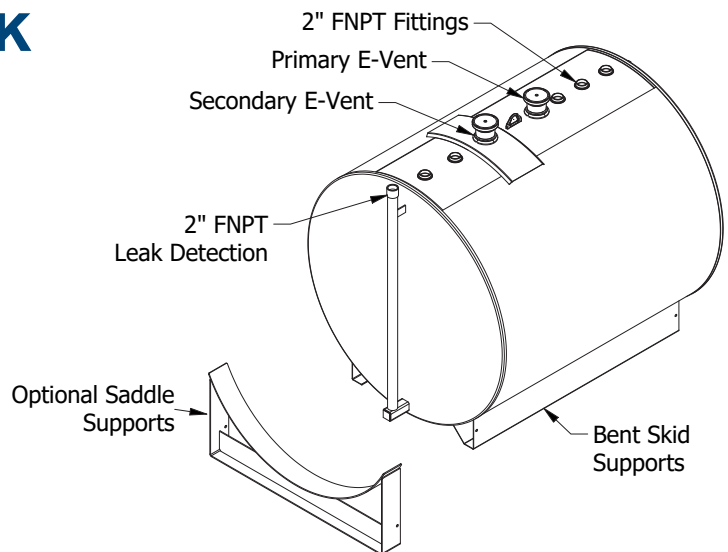
1006-0321 38"X5' 300 Gallon

1006-0220 48"X6' 550 Gallon

1006-0060 64"X6' 1000 Gallon

1006-0199 64"X12' 2000 Gallon

* Contact TrueNorth Steel Sales for assistance in customizing tanks.



FEATURE 2: FILL ACCESSORIES

STANDARD PART NUMBERS

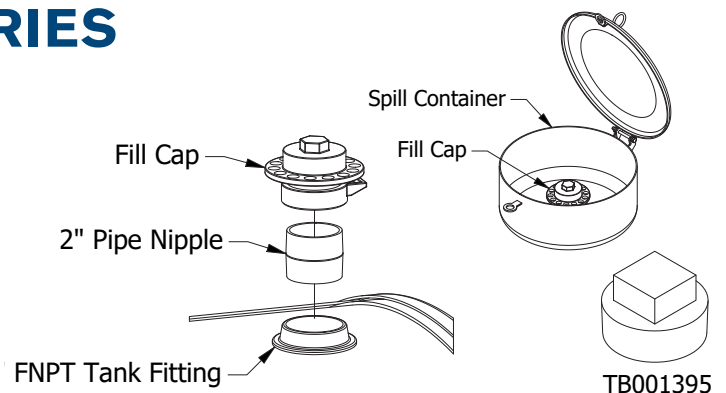
TB000333 Fill cap, 2", Morrison Bros. Co. 178-0300 AC

TB001369 Pipe nipple, 2", close-length

TB002054 Optional spill container, 3 1/2 gallon Morrison Bros. Co. 517-000 AC

TB001395 Plug, 2", for all open fittings

* Contact TrueNorth Steel Sales for assistance with alternative fill accessories if needed.



FEATURE 3: LEVEL GAUGE

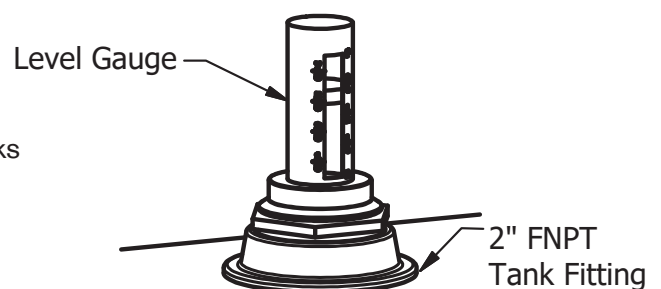
STANDARD PART NUMBERS

TB000495 Gauge, At-A-Glance, Model D-2-36, 36" & 38" tanks

TB000498 Gauge, At-A-Glance, Model D-2-48, 48" tank

TB000500 Gauge, At-A-Glance, Model D-2-64, 64" tank

* Contact TrueNorth Steel Sales for assistance with alternative gauge accessories if needed.

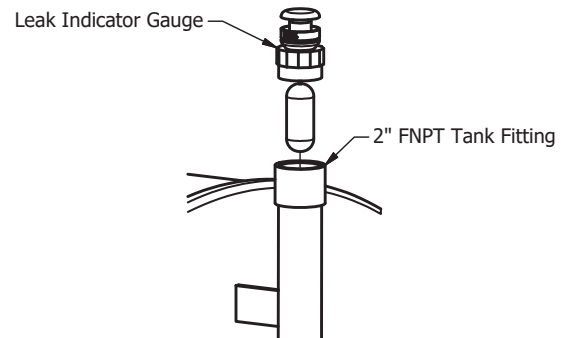


FEATURE 4: LEAK DETECTION

STANDARD LEAK INDICATOR GAUGE

3900-0867 Morrison Bros. Co. 727 Leak Indicator Gauge

* Contact TrueNorth Steel Sales for assistance with alternative leak detection accessories if needed.



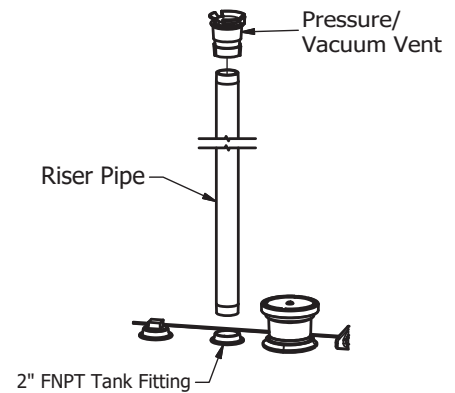
FEATURE 5: PRESSURE/VACUUM VENT

STANDARD PART NUMBERS

TB002185 Pressure/vacuum vent, Morrison Bros. Co.
749-0100 AV

3200-0616 Riser pipe, 2"X7', galvanized

* Contact TrueNorth Steel Sales for assistance with alternative venting accessories if needed.



FEATURE 6: PUMP ACCESSORIES

ITEMS FOR GASOLINE PUMPS

TB001533 Pump, Fill-Rite® 700, 20 gpm, 3/4"X12' hose, no meter

TB001534 Pump, Fill-Rite® 701, 20 gpm, 3/4"X12' hose, mechanical meter

TB001045 Optional nozzle, Harco 11T, automatic

TB000354 Filter head, 3/4" NPT

TB000363 Filter

TB001338 3/4"X7" pipe nipple, 1/pump (metered pump)

TB001355 3/4"X3" pipe nipple, 2/pump (non-metered pump)

TB001242 3/4"X90" pipe elbow, 1/pump (non-metered pump)

ITEMS FOR DIESEL PUMPS

3900-0268 Pump, Fill-Rite® 711, 20 gpm, 1"X18' hose, mechanical meter

TB001531 Pump, Fill-Rite® 319, 35 gpm, 1"X18' hose, digital meter

TB000355 Filter head, 1" NPT

TB000376 Filter

TB001349 1"X8" pipe nipple, 2/pump

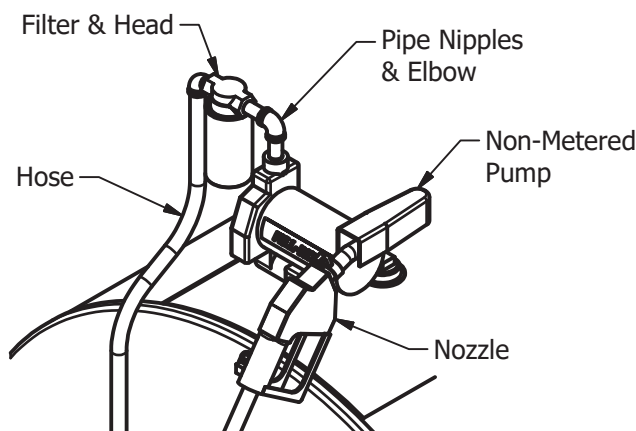
SUCTION PIPES

TC000940 1 1/4"X37" pipe, 38" diameter tank

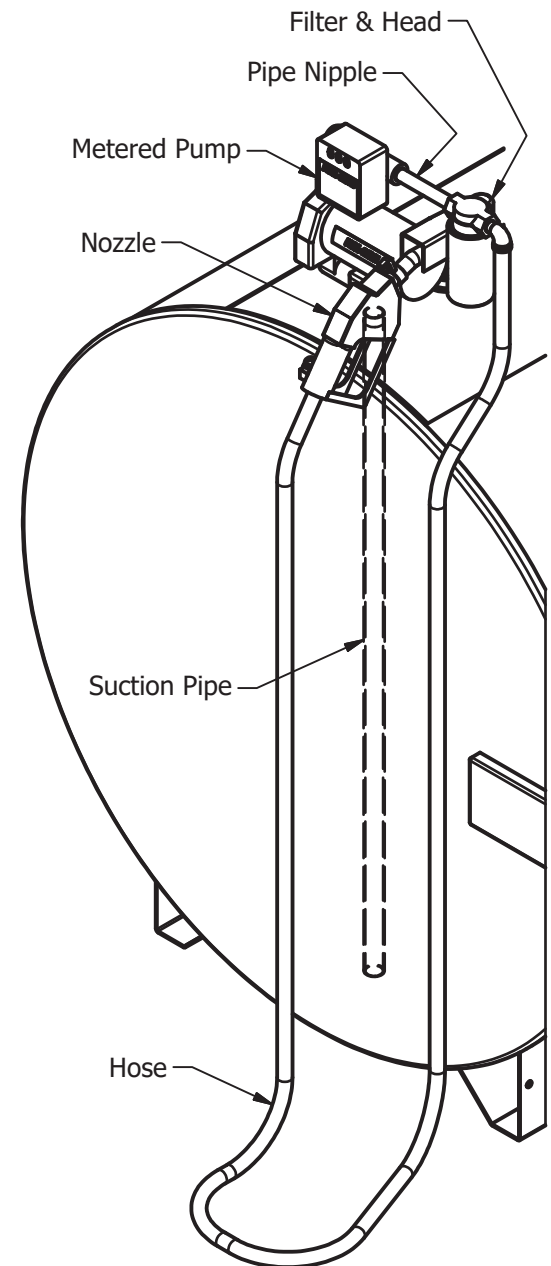
3200-1428 1 1/4"X47" pipe, 48" diameter tank

3200-1426 1 1/4"X63" pipe, 64" diameter tank

* Contact TrueNorth Steel Sales for assistance with alternative pump accessories if needed.



Non-Metered Pump System



Metered Pump System

FEATURE 7: PLATFORM LADDER

Ships as an installed option on the tank when specified through sales request.

Bolt-on ladder assembly, painted finish. Color is same as tank unless specified otherwise.

Grip-strut standing platform for access to fittings on top of tank.

STANDARD LADDER ASSEMBLIES, LENGTH, AND TANK SIZE

2000-2856 48" - size 64 diameter tanks

2000-2855 60" - size 72 diameter tanks

2000-2857 72" - size 84 diameter tanks

(other sizes available in 1' increments up to 132" length)

* Contact TrueNorth Steel Sales for assistance with alternative ladder and platform accessories if needed.

