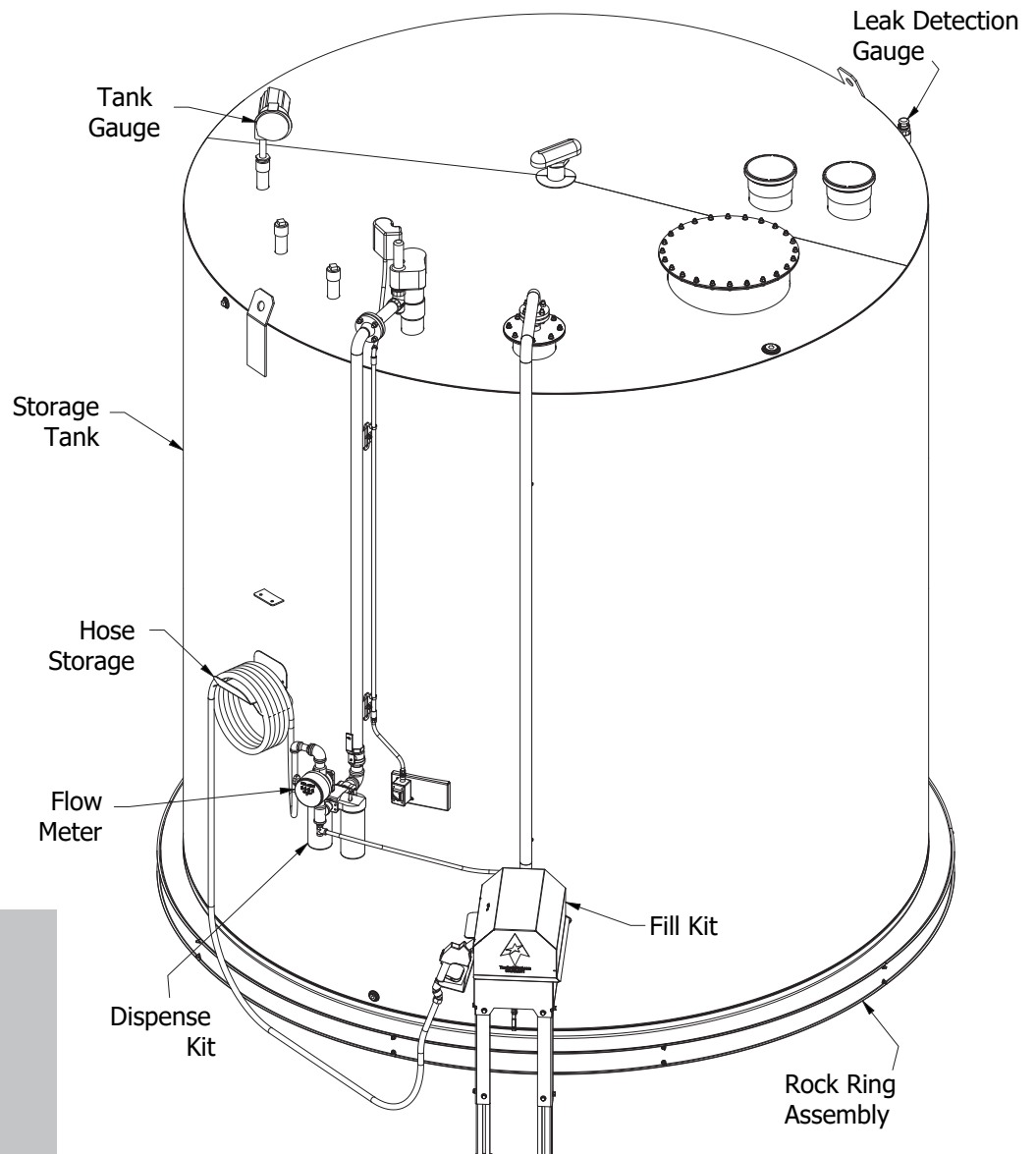


FIREGUARD® VERTICAL STORAGE TANK MANUAL



FEATURES

1. Rock Ring Assembly
2. Storage Tank
3. Tank Gauge
4. Flow Meter
5. Leak Detection Gauge
6. Fill Accessory Kit
7. Dispense Accessory Kit
8. Hose Storage Accessory Kit

Document #4000-0021

FEATURE 1: ROCK RING ASSEMBLY

1. 5" rolled channel sections
2. Hardware for on-site assembly
3. Galvanized finish

STANDARD SIZES AND PART NUMBERS

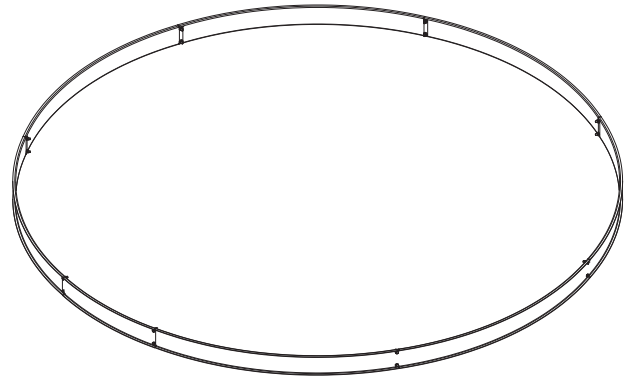
1500-0111 12' Diameter for 11' Tank

1500-0112 13' Diameter for 12' Tank

1500-0113 14' Diameter for 13' Tank

* Other sizes available in 1' increments.

Contact TrueNorth Steel Sales for more information.



FEATURE 2: STORAGE TANK

1. Steel tank of specified size
2. 24" top manway
3. Morrison Bros. Co. emergency vents
4. 2" NPT fitting for leak detection
5. 3" working tee-vent
6. Three 2" NPT fittings, shipped with plugs
7. Hose reel mounting tabs
8. Fill line options: Raise face flange
9. Dispense options: 2" NPT and submersible pump switch

STANDARD SIZES AND PART NUMBERS

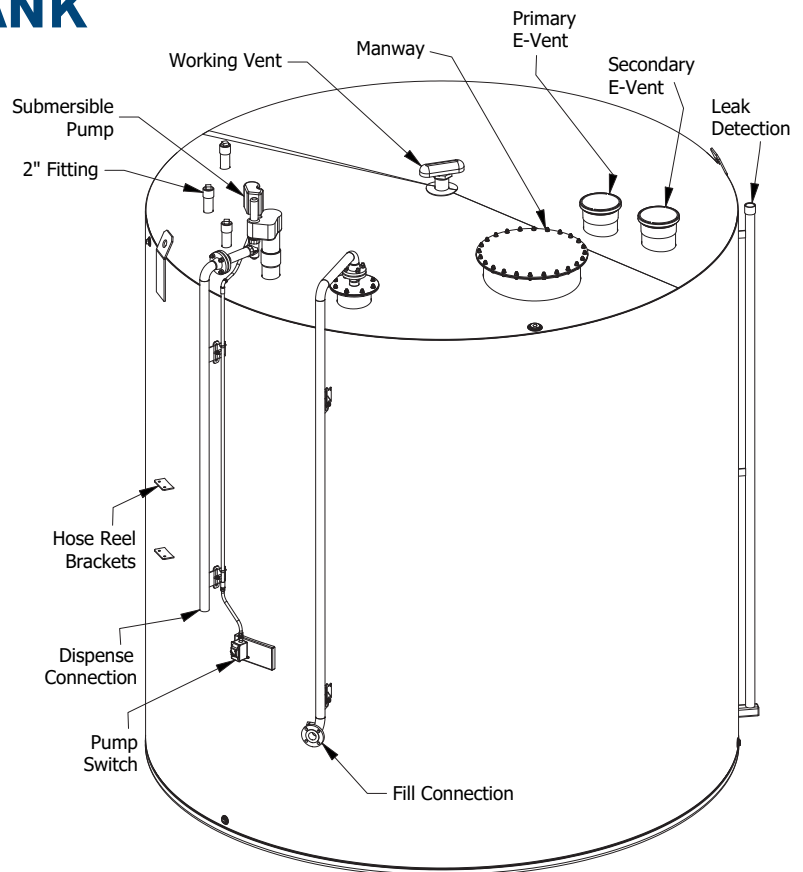
1005-0200 12'x12' 10,000 Gallon

1005-0218 12'x14' 11,800 Gallon

1005-0179 12'x15' 12,600 Gallon

TANK OPTIONS (SHIPPED INSTALLED)

1. Fill Line:
 - Pipe size: 2" or 3"
 - Overfill protection: yes or no
2. Dispense Line:
 - Submersible pump: 1.5 HP or 2 HP
 - Anti-siphon: mechanical or electronic solenoid
3. Color:
 - Standard: white
 - Other colors available



* Custom tank color, size, and fitting layouts available.
Contact TrueNorth Steel Sales for more information.

FEATURE 3: TANK GAUGE

Installed by customer per manufacturer's instructions

STANDARD OPTION PART NUMBERS

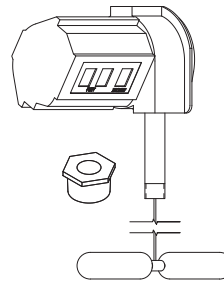
3900-0649 Morrison Bros. Co. 1518, up to 20' height

TB001161 2"x1" NPT bushing

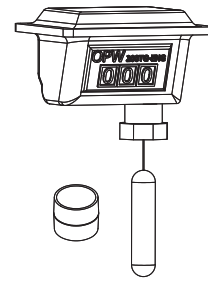
TB000527 OPW200TG ENG, up to 20' height

TB000528 OPW200TG ENG40, up to 40' height

TB001369 2" X close-length NPT pipe nipple



Morrison Bros. Co
1518 w/Bushing



OPW200TG ENG
w/Pipe Nipple

FEATURE 4: FLOW METERS

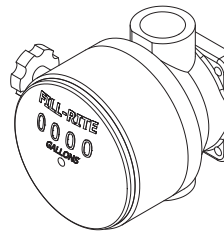
1. Fill-Rite® brand products
2. 1 1/2" NPT connection size
3. Analog or digital/pulse options

PART NUMBERS

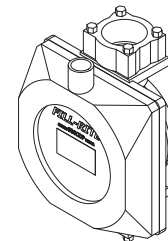
TB002318 Analog

3900-0728 Digital with pulse

Note: Flow meters must be installed with meter rotated to a bottom-to-top flow direction. See manufacturer's instruction.



Analog



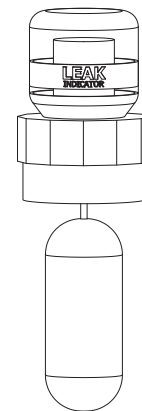
Digital with pulse

FEATURE 5: LEAK GAUGE

1. Installed by customer per manufacturer's instruction
2. Morrison Bros. Co. brand product
3. 2" NPT connection size

PART NUMBERS

3900-0867 Leak indicator model 724-0200AI



Leak Indicator Float Gauge

FEATURE 6: FILL BOX ACCESSORY KITS

1. Containment box
2. Flange assembly for tank connection
3. Flange gasket kit
4. Check valve, ball valve, cap, pipe fittings

PART NUMBERS

1505-0040 Fill box kit, 2" pipe size

1505-0041 Fill box kit, 3" pipe size

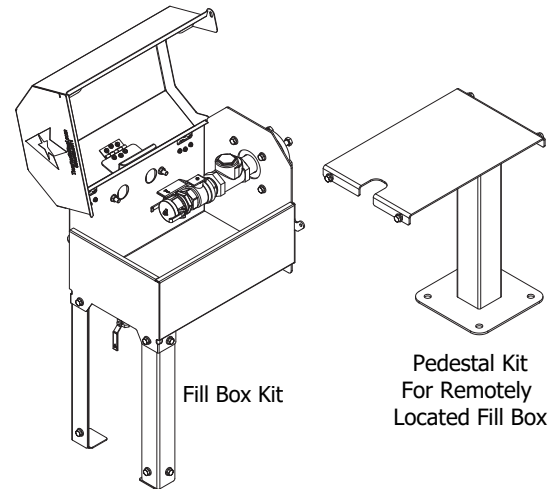
REMOTELY LOCATED FILL BOX SUPPORT PEDESTAL

1505-0075 Pedestal kit with hardware

INSTALLATION INSTRUCTIONS

4001-0011 Fill Box Kit for AG Tanks

Note: Piping kits are not available for remotely located fill box plans. Piping and fittings must be planned and ordered separately.



FEATURE 7: DISPENSING ACCESSORY KITS

1. Ball valve and all pipe fittings
2. Filter head and filters
3. Pressure relief valve and hose
4. Hose and hose hanger
5. Nozzle and swivel connector

PART NUMBERS

1504-0054 1" hose and nozzle size

1504-0055 1 1/2" hose and nozzle size

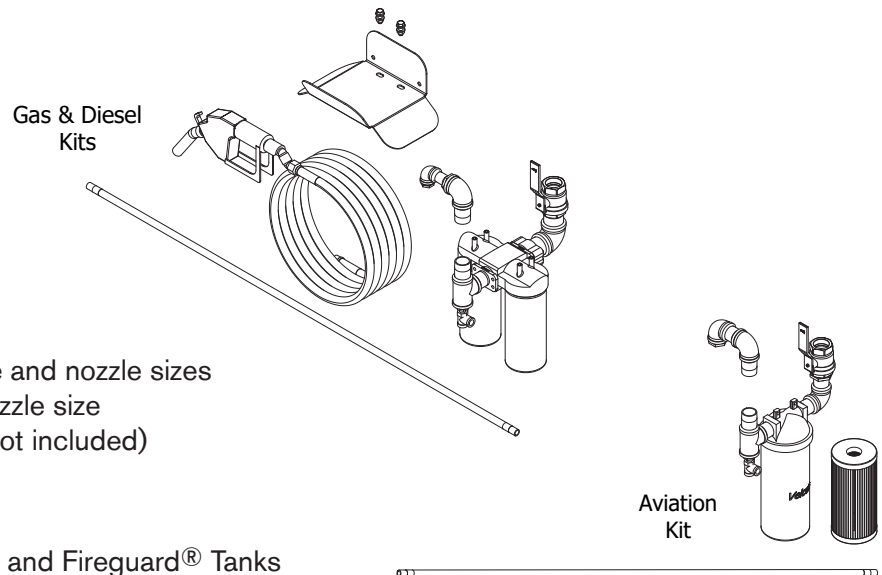
1504-0053 Combination 1" & 1 1/2" hose and nozzle sizes

1504-0056 Gas kit with 3/4" hose and nozzle size

1504-0052 Aviation kit (hose and nozzle not included)

INSTALLATION INSTRUCTIONS

4001-0010 Dispense Kit for Flameshield® and Fireguard® Tanks

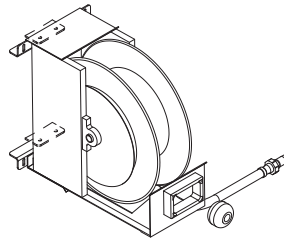


FEATURE 8: HOSE STORAGE KIT

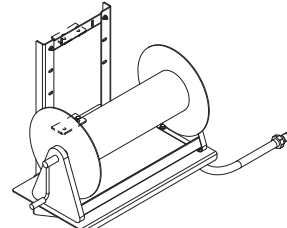
1. Reelcraft® reel
2. Flex pipe with connection fittings
3. Hose stop

PART NUMBERS

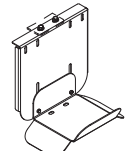
- 1505-0047** 1" with spring rewind
1505-0048 1 1/2" with spring rewind
1505-0049 1" with manual crank
1504-0045 Adjustable hose hanger



Spring Rewind



Manual Crank



Adjustable Hanger

INSTALLATION INSTRUCTIONS

4000-0012 Hose Storage Kits for AG Tanks