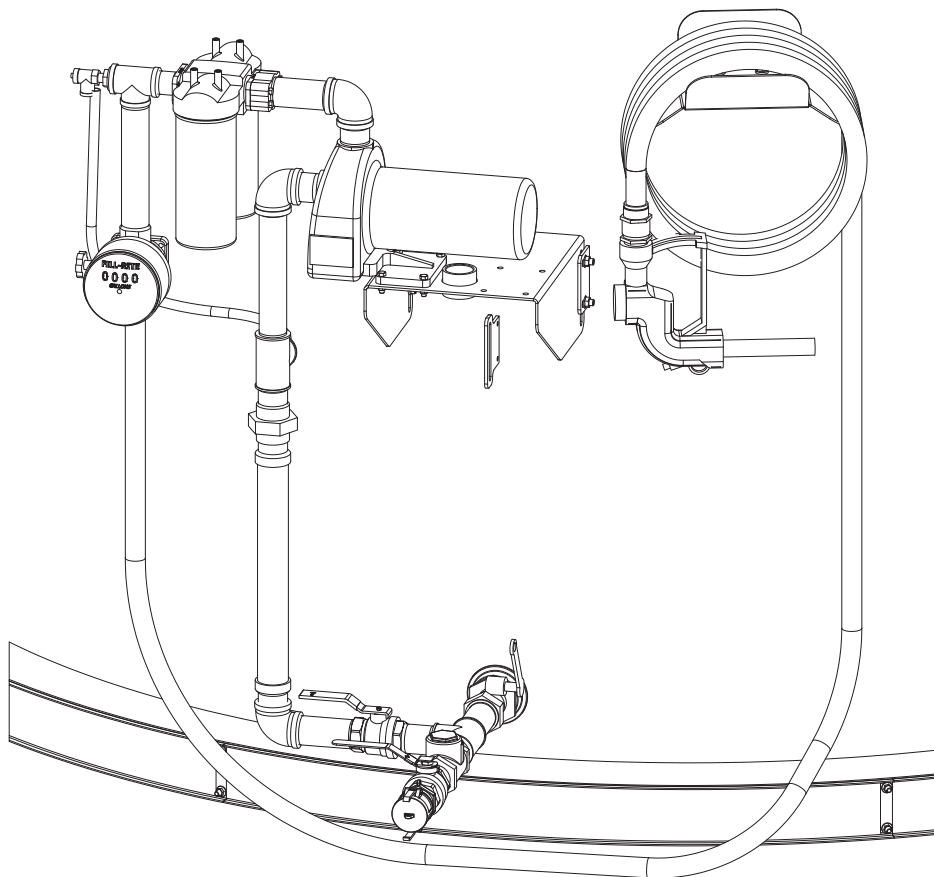


# FILL & DISPENSE KITS, GORMAN-RUPP PUMP SINGLE WALL VERTICAL TANKS INSTALLATION GUIDE



**This instruction applies to the following kits available from TrueNorth Steel:**

**1504-0044** Fill & dispense kit, Gorman-Rupp, 2" fill pipe  
**1504-0050** Fill & dispense kit, Gorman-Rupp, 3" fill pipe

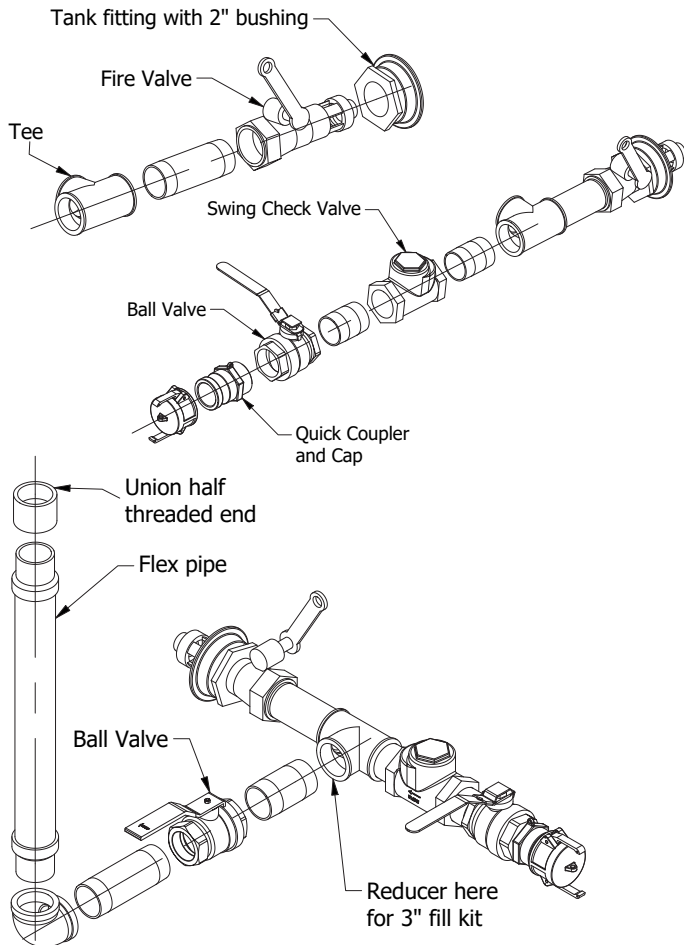
## **FILL & DISPENSE KIT CONTENTS**

1. Pump mounting platform and hardware
2. Fire, check, and ball valves
3. Flex pipe and pipe fittings
4. Pressure relief valve and hose

Document #4000-0017

## INSTALLATION STEPS

Note: Use thread sealant supplied with kit on all threaded joints.



### INSTALLATION OF PIPE FITTINGS ONTO TANK

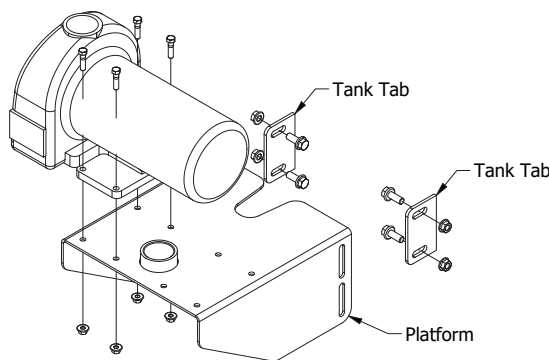
1. Connect fire valve to tank fitting, orient handle upward (if installing a 3" fill line kit, remove bushing from tank fitting)
2. Connect tee fitting using a 6" long pipe nipple, orient tee with side opening facing left

### PIPE FITTINGS FOR FILL LINE

3. Connect swing check valve to end of tee fitting using a pipe nipple, orient so flow is toward tee
4. Connect ball valve to swing check valve using a pipe nipple
5. Connect quick coupler and cap to ball valve

### PIPE FITTINGS FOR PUMP

6. Connect ball valve to tee using a pipe nipple (if installing a 3" fill line, a 2" reducer busing is included for tee connection)
7. Connect pipe elbow to end of tee fitting using a close-length pipe nipple; orient with elbow turned upward
8. Connect 2"x24" flex pipe to pipe elbow
9. Connect threaded half of pipe union to top end of flex pipe



### INSTALL PLATFORM AND PUMP

1. Connect platform to tank mounting tabs using two 3/4" bolts and nuts (**do not tighten until pipe connection is done**)
2. Connect pump to platform using four 3/8" bolts and nuts, use left hole pattern of platform, orient pump with pipe connection to the left

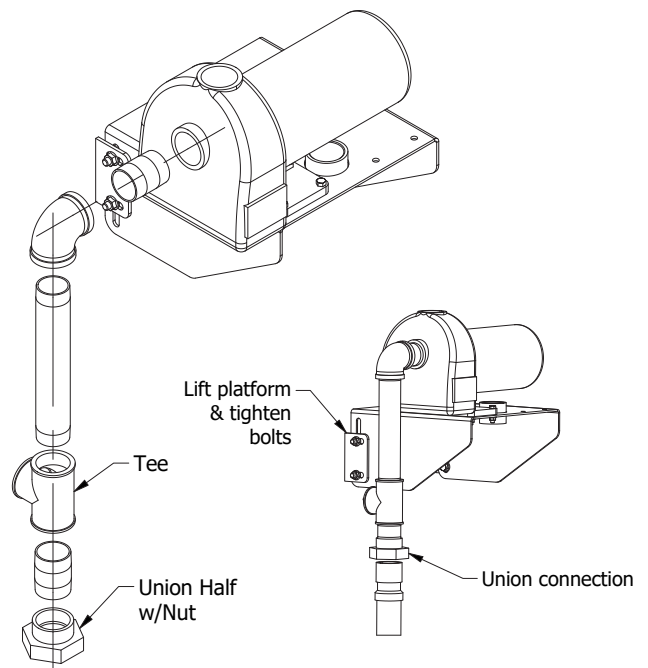
## INSTALLATION STEPS

Note: Use thread sealant supplied with kit on all threaded joints.

### FITTINGS FROM FLEX PIPE TO PUMP

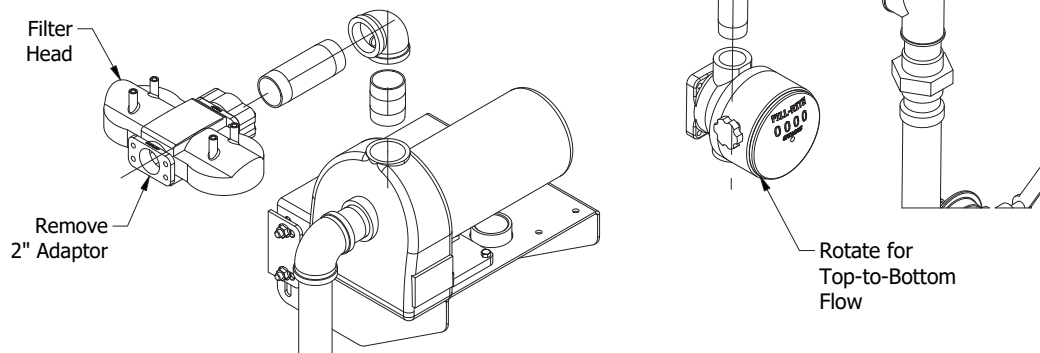
1. Connect elbow to pump using a pipe nipple, orient elbow down
2. Connect tee to elbow using a pipe nipple, orient side opening of tee to face back toward tank
3. Connect half of pipe union with nut to bottom end of tee using a pipe nipple
4. Lift platform and pump up and connect pipe union, tighten platform bolts

**Note:** Pump, platform, and fittings may be pre-assembled before attaching platform to tank tabs if desired



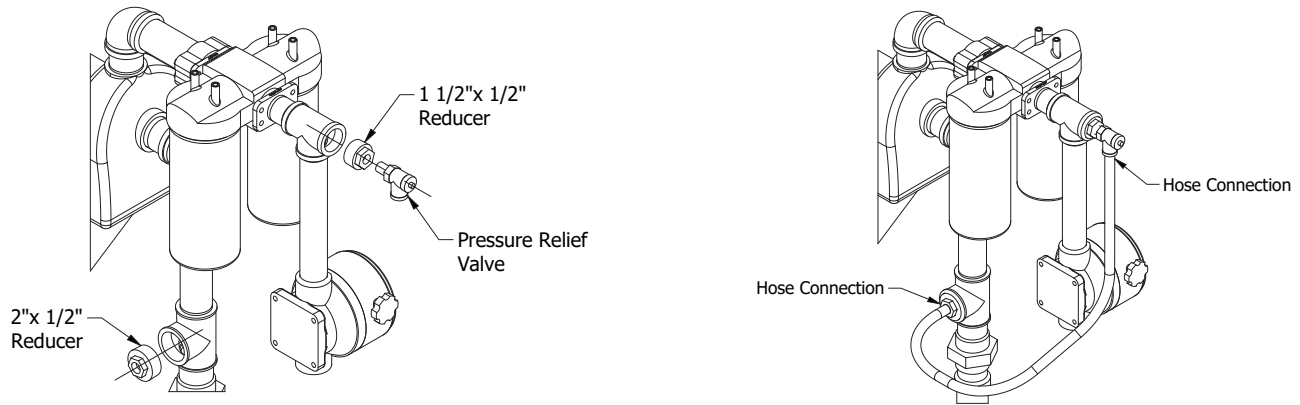
### FILTERS AND METER INSTALLATION

1. Connect elbow to pump using a pipe nipple, orient so elbow turns to the left of the pump
2. Connect filter head using pipe nipple
3. Remove 2" adaptor from open side of filter head to reduce to 1 1/2" pipe size
4. Connect 1 1/2" pipe tee using a pipe nipple, orient side connection down
5. Connect meter to tee with a pipe nipple, rotate meter for top-to-bottom flow per manufacturer's instructions



## INSTALLATION STEPS

Note: Use thread sealant supplied with kit on all threaded joints.



### INSTALL PRESSURE RELIEF

1. Connect 2"x1/2" reducer bushing to back of 2" tee
2. Connect 1 1/2"x1/2" reducer bushing to end of 1 1/2" tee
3. Connect pressure relief valve to 1 1/2"x1/2" bushing with connection port turned downward
4. Connect hose to relief valve and 2"x1/2" bushing

### HOSE AND NOZZLE INSTALLATION

1. Connect hose hanger to tank tab with two 1/2" bolts and nuts
2. Connect hose to bottom end of flow meter
3. Connect nozzle to end of hose
4. Coil and store hose on hanger to complete installation

