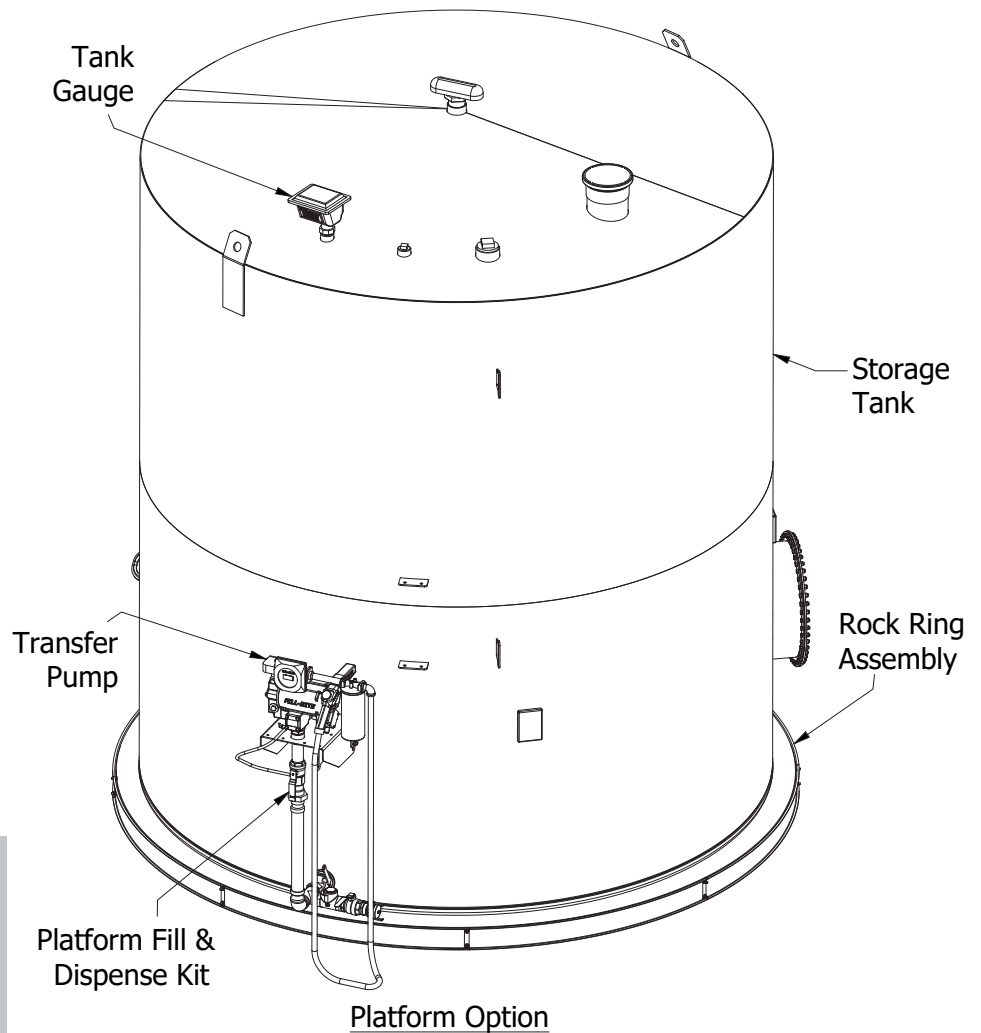
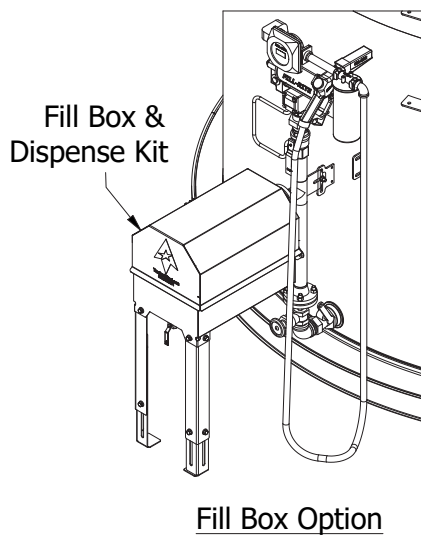


SINGLE WALL VERTICAL STORAGE TANK MANUAL

Fill-Rite® PUMP



FEATURES

1. Rock Ring Assembly
2. Storage Tank
3. Tank Gauge
4. Transfer Pump
5. Fill & Dispense Options:
 - Platform Mount
 - Fill Box at Tank
 - Fill Box Remotely Located

Document #4000-0013

FEATURE 1: ROCK RING ASSEMBLY

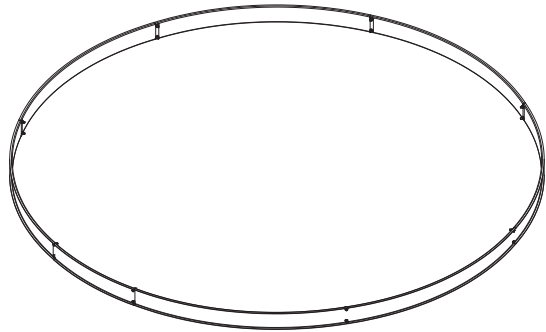
1. 5" rolled channel sections
2. Hardware for on-site assembly
3. Galvanized finish

STANDARD SIZES AND PART NUMBERS

1500-0111 12' Diameter for 11' Tank

1500-0112 13' Diameter for 12' Tank

- * Other sizes available in 1' increments.
Contact TrueNorth Steel Sales for more information.



FEATURE 2: STORAGE TANK

1. Steel tank of specified size
2. 24" manway at ground level
3. 3" operating tee-vent
4. Emergency vent
5. 2"/3" fill & dispense fitting
6. Mounting tabs for accessory products
7. Two 2" top fittings w/ plug
8. One 4" top fitting w/ plug

STANDARD SIZES AND PART NUMBERS

1003-0275 11'x12' 8,500 Gallon

1003-0277 12'x12' 10,000 Gallon

1003-0278 12'x15' 12,600 Gallon

1003-0311 12'x18' 15,000 Gallon

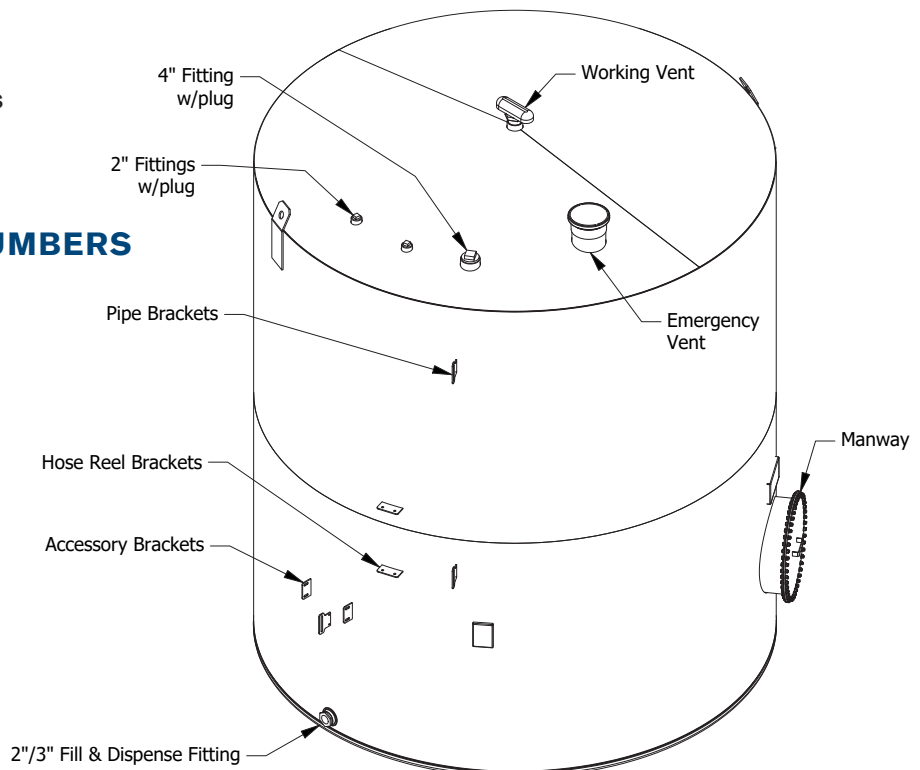
1003-0312 12'x20' 16,900 Gallon

1003-0313 12' 24" 20,000 Gallon

TANK OPTIONS

Color:

- Standard: white
- Other colors available



FEATURE 3: TANK GAUGE

1. Installed by customer per manufacturer's instructions
2. OPW float gauge
3. 2" NPT float guide tube assembly

STANDARD OPTION PART NUMBERS

TB000527 OPW200TG ENG, up to 20' height

TB000528 OPW200TG ENG40, up to 40' height

FLOAT GUIDE TUBE PART NUMBERS

TC000704 Guide tube assembly for 12' tank

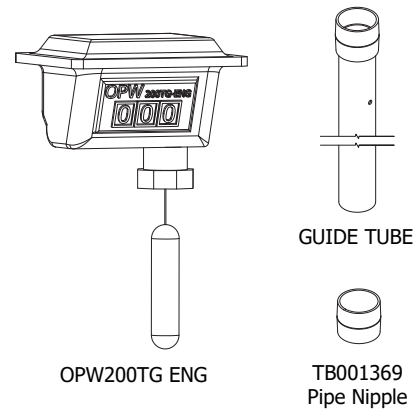
TC000707 Guide tube assembly for 15' tank

TC000710 Guide tube assembly for 18' tank

TC000712 Guide tube assembly for 20' tank

TC000714 Guide tube assembly for 24' tank

TB001369 2" X close-length NPT pipe nipple
(required if not using float guide tube assembly)



FEATURE 4: TRANSFER PUMP

1. Fill-Rite® brand standard
2. Pump comes with 18' hose and nozzle
3. Installed by customer per manufacturer's instructions

STANDARD PART NUMBERS

TB001531 FR319VB 1" hose/nozzle, digital meter

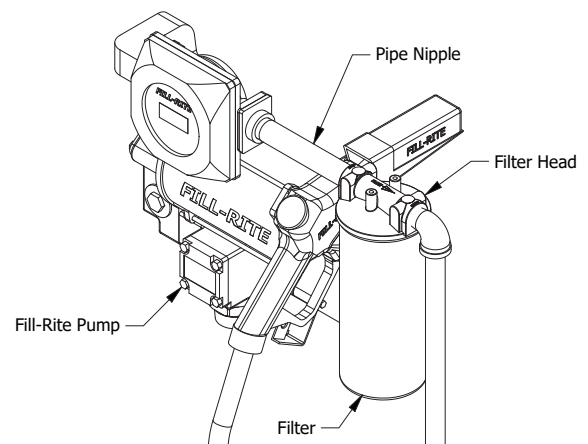
TB002252 FR319VBP 1" hose/nozzle, digital meter & pulser

OPTIONAL PARTS ORDERED SEPARATELY

TB001349 1"x8" pipe nipple

TB000355 Filter head

TB000376 Filter



INSTALLATION INSTRUCTIONS

4000-0020 Fill & Dispense Kits, Fill-Rite® Pump with Platform, Single Wall Vertical Tanks

4000-0016 Fill & Dispense Kits, Fill-Rite® Pump with Fill Box, Single Wall Vertical Tanks



FEATURE 5: FILL & DISPENSE ACCESSORY KITS

OPTION A: PLATFORM MOUNT

1. Pump mounting platform with hardware
2. Fire, check, and ball valves
3. Flex pipe and pipe fittings
4. Pressure relief valve and hose

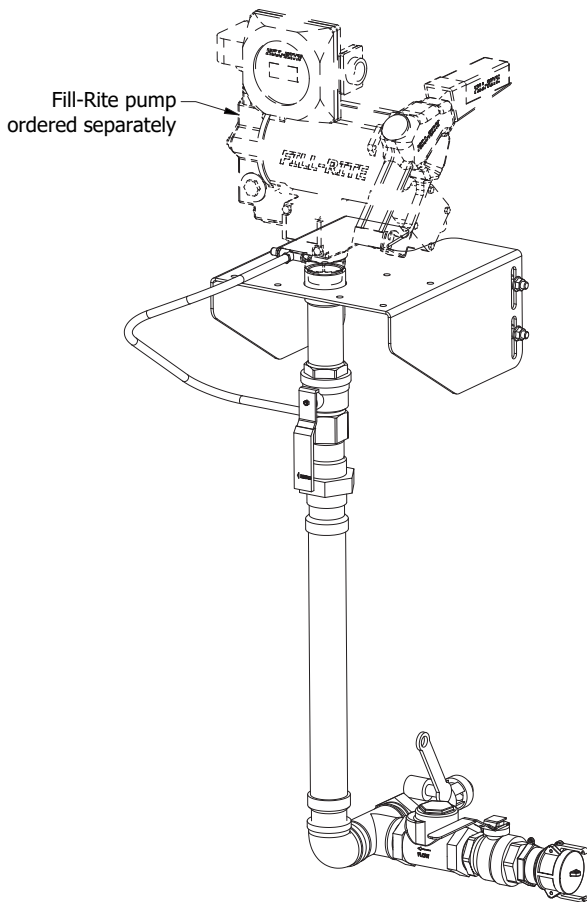
PART NUMBERS

1504-0040 2' fill and pump pipe size

1504-0049 3" fill pipe size, 2" pump pipe size

INSTALLATION INSTRUCTIONS

4000-0020 Fill & Dispense Kits, Fill-Rite® Pump with Platform, Single Wall Vertical Tanks



OPTION A

OPTION B: FILL BOX AT TANK

1. Fire, gate, check, and ball valves
2. Flange and pipe fittings
3. Pipe column assembly
4. Pressure relief valve and hose
5. Fill box assembly and hardware
6. Flange gasket kits
7. 2" NPT Fill-Rite® pump connection

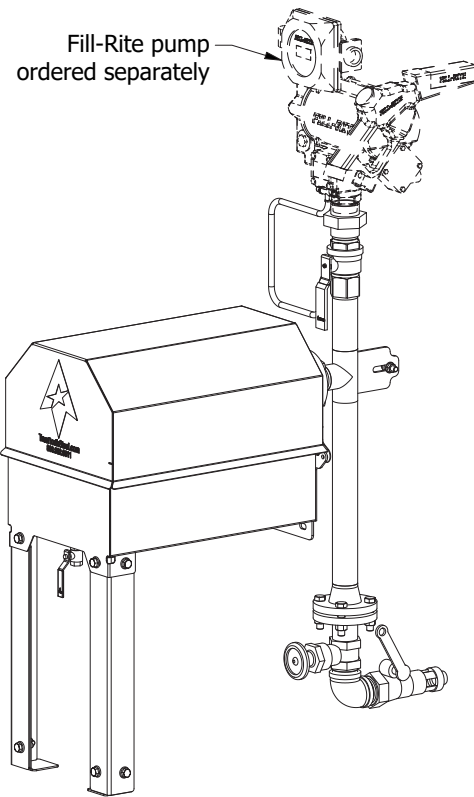
PART NUMBERS

1505-0042 2' fill pipe size

1505-0043 3" fill pipe size

INSTALLATION INSTRUCTIONS

4000-0016 Fill & Dispense Kits, Fill-Rite® Pump with Fill Box, Single Wall Vertical Tanks



OPTION B

FEATURE 5: FILL & DISPENSE ACCESSORY KITS (continued)

OPTION C: FILL BOX REMOTELY LOCATED

1. Fire, gate, check, and ball valves
2. Flange and pipe fittings
3. Pipe column assembly
4. Pressure relief valve and hose
5. Fill box assembly and hardware
6. Flange gasket kits

PART NUMBERS

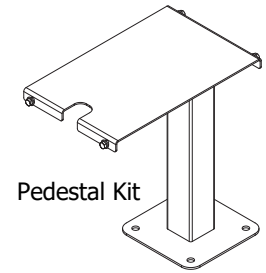
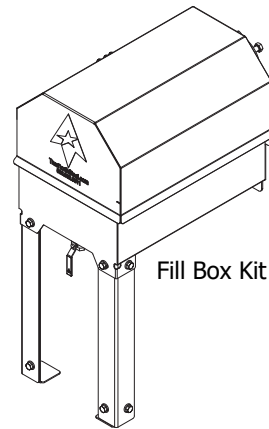
1505-0068 Standard kit; 2" fill, includes fill box and pedestal

1505-0040 Fill box kit, 2" pipe size

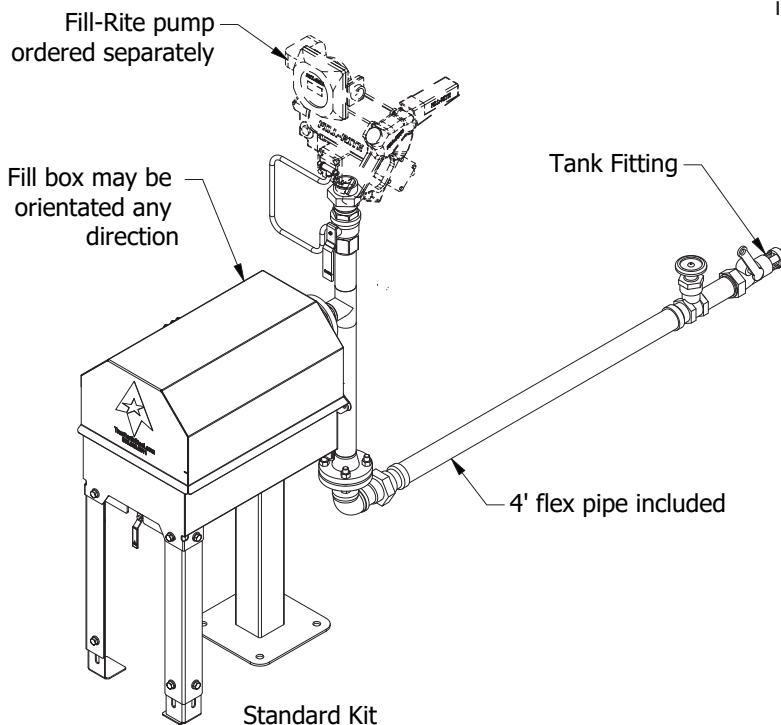
1505-0075 Pedestal support kit

INSTALLATION INSTRUCTIONS

4000-0016 Fill & Dispense Kits, Fill-Rite® Pump with Fill Box, Single Wall Vertical Tanks



* Fill box and pedestal kits may be purchased independently to configure various layouts



OPTION C