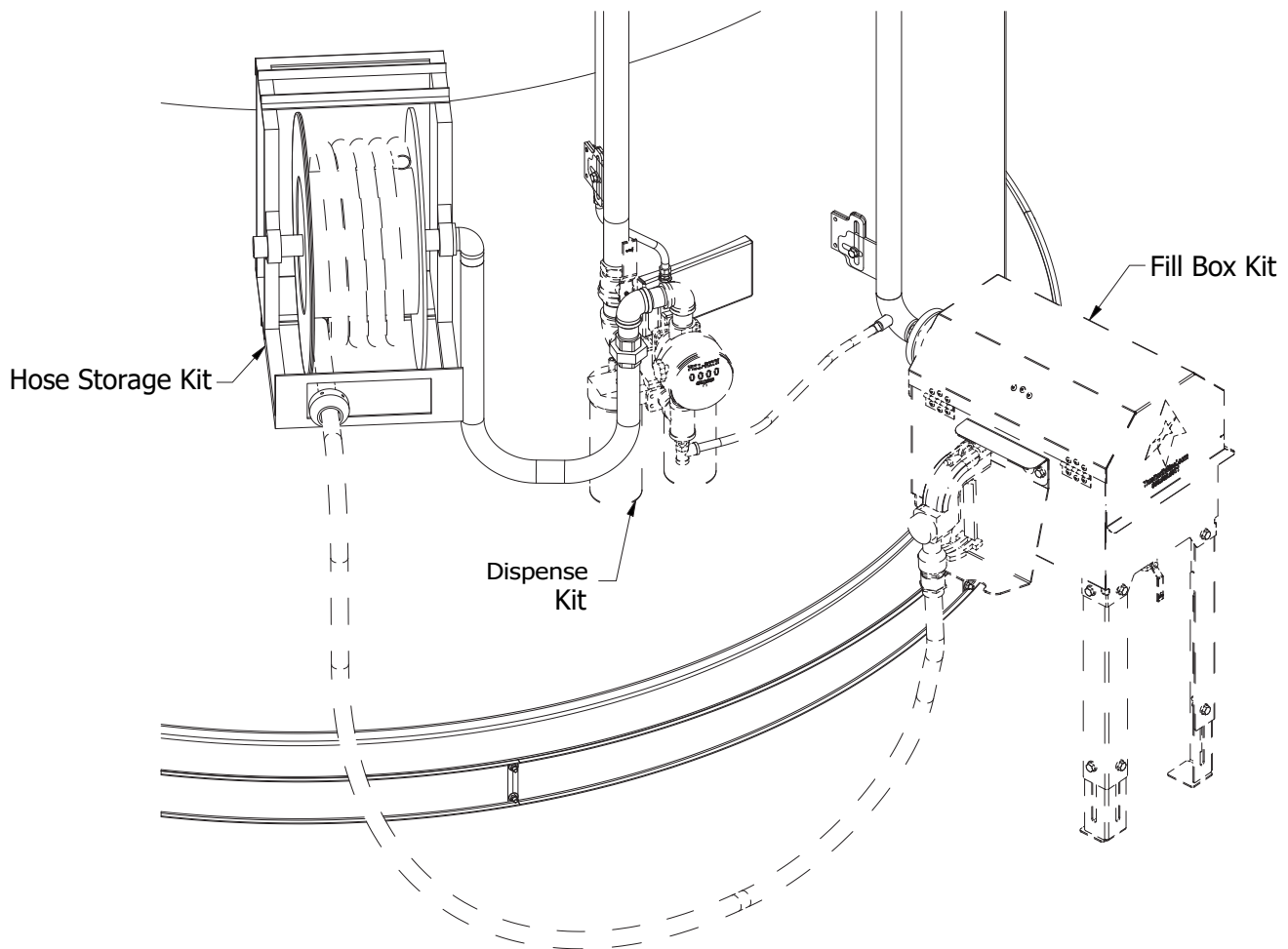


# HOSE STORAGE KITS FOR AG TANKS INSTALLATION GUIDE



## This instruction applies to the following kits available from TrueNorth Steel:

- 1505-0047** 1" with spring rewind reel
- 1505-0048** 1 1/2" with spring rewind reel
- 1505-0049** 1" with manual crank reel
- 1505-0045** Adjustable hose hanger

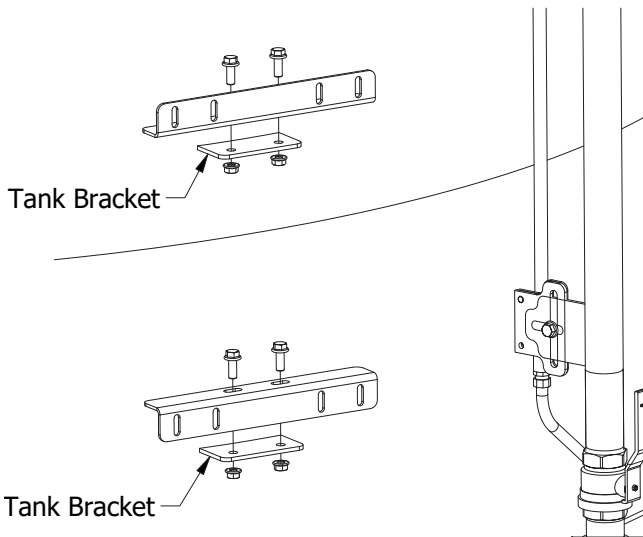
## HOSE STORAGE KIT CONTENTS

1. Reelcraft® reel assembly (1" or 1 1/2")
2. 4' flex hose
3. Hose bumper (1" or 1 1/2")
4. Mounting brackets hardware
5. Pipe union and nipple

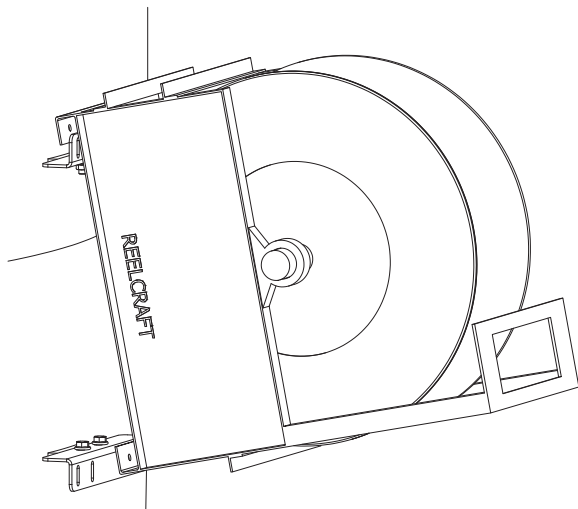
Document #4000-0012

# INSTALLATION STEPS

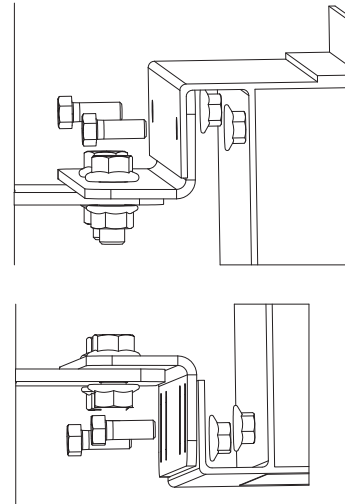
## REELCRAFT® HOSE REEL WITH SPRING REWIND



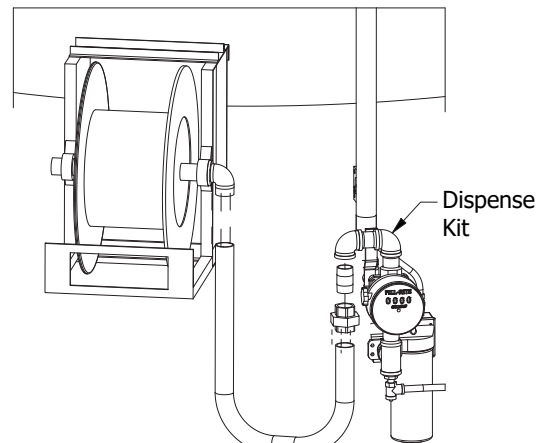
1. Install mounting bracket on top of upper tank bracket with flange oriented upward
2. Install mounting bracket on top of lower tank bracket with flange oriented downward



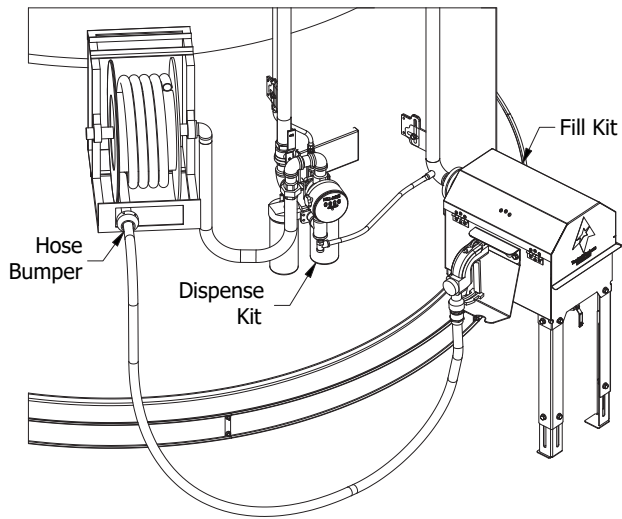
3. Hook reel over top of upper mounting bracket
4. Let reel hang down from top and rest against face of lower mounting bracket



5. Secure reel to upper and lower brackets with four 3/8" bolts and nuts



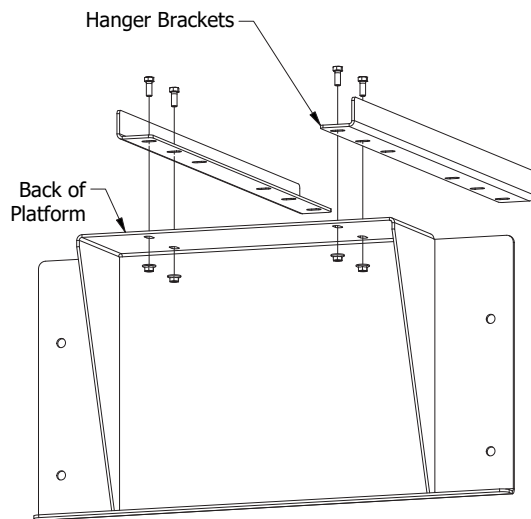
6. Using thread sealer on all threaded joints, connect pipe nipple and one part of union fitting to downturned elbow of dispensing kit
7. Connect second part of union fitting to one end of flex hose
8. Connect other end of flex hose to hose reel and join union fitting together to complete connection from dispense kit to hose reel



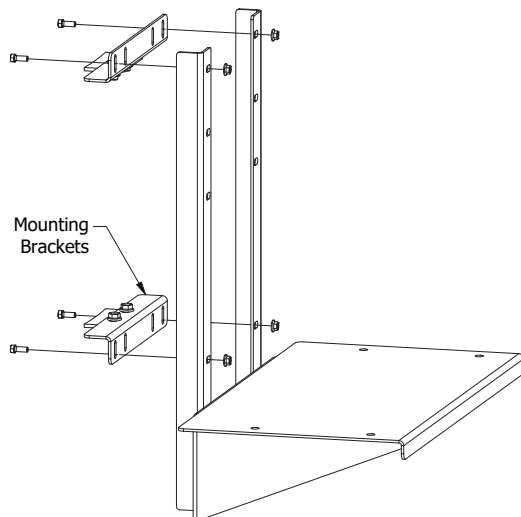
9. Connect hose to reel and load per manufacturer's instructions
10. Install hose bumper in location to leave desired length of hose off reel when retracted
11. Install and stow nozzle per dispense kit installation instructions

# INSTALLATION STEPS

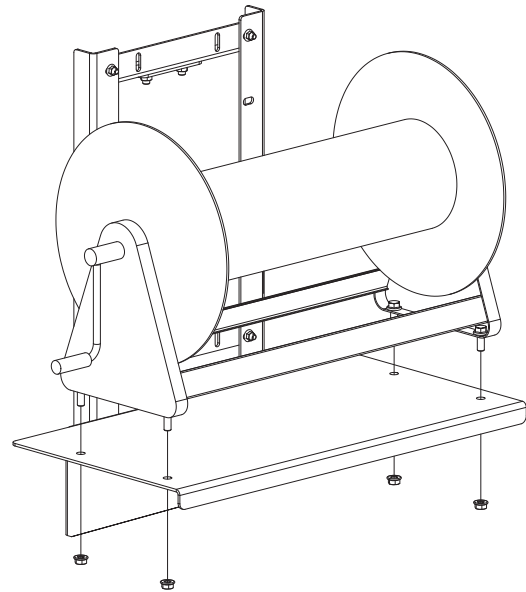
## REELCRAFT® HOSE REEL WITH HAND CRANK REWIND



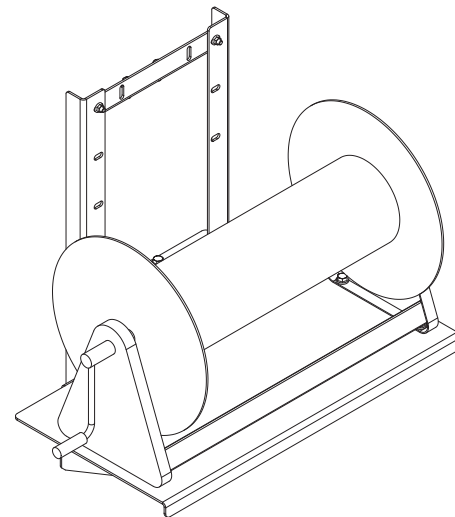
1. Attach 2 hanger brackets to back of reel platform with 4 bolts and nuts through the first 2 holes of hanger brackets (legs of hanger brackets must be oriented outward as shown)



2. Attach 2 mounting brackets to tank brackets per instructions on previous section
3. Attach platform to mounting brackets through holes of hanger brackets



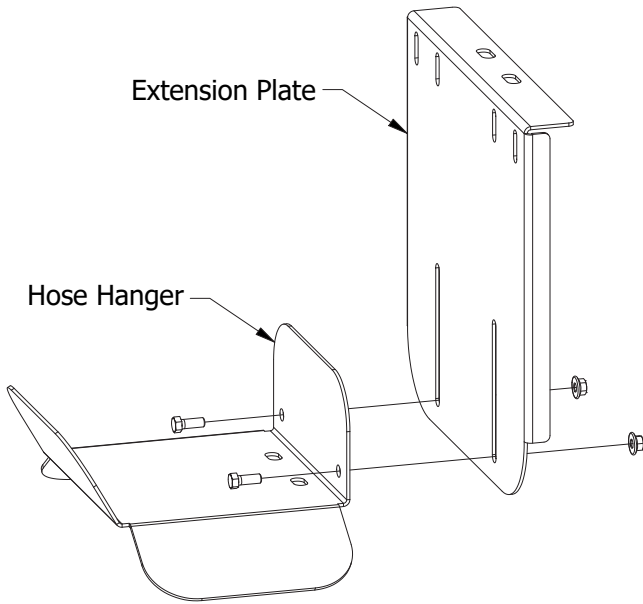
4. Assemble hand crank reel per manufacturer's instructions
5. Attach reel to top of reel platform with 4 bolts and nuts



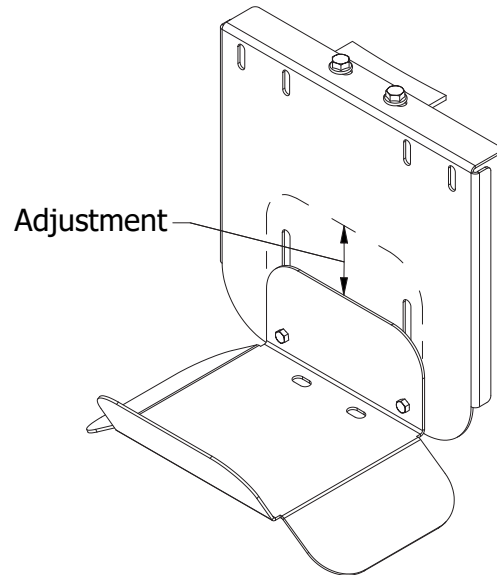
6. Attach hoses and complete installation per instruction on previous section

# INSTALLATION STEPS

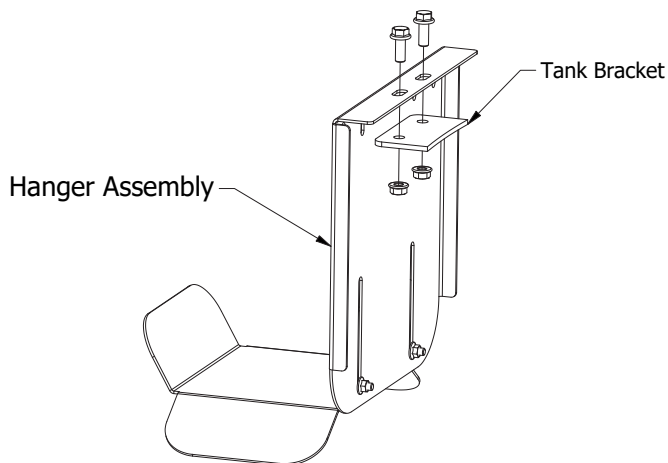
## ADJUSTABLE HANGER BRACKET



1. Assemble hose hanger and extension plate with two 3/8" bolts and nuts



4. Loosen 3/8" bolts to adjust up or down to desired elevation and re-tighten



2. Position hanger assembly with top flange on top of tank bracket
3. Attach hanger assembly to tank bracket with two 1/2" bolts and nuts