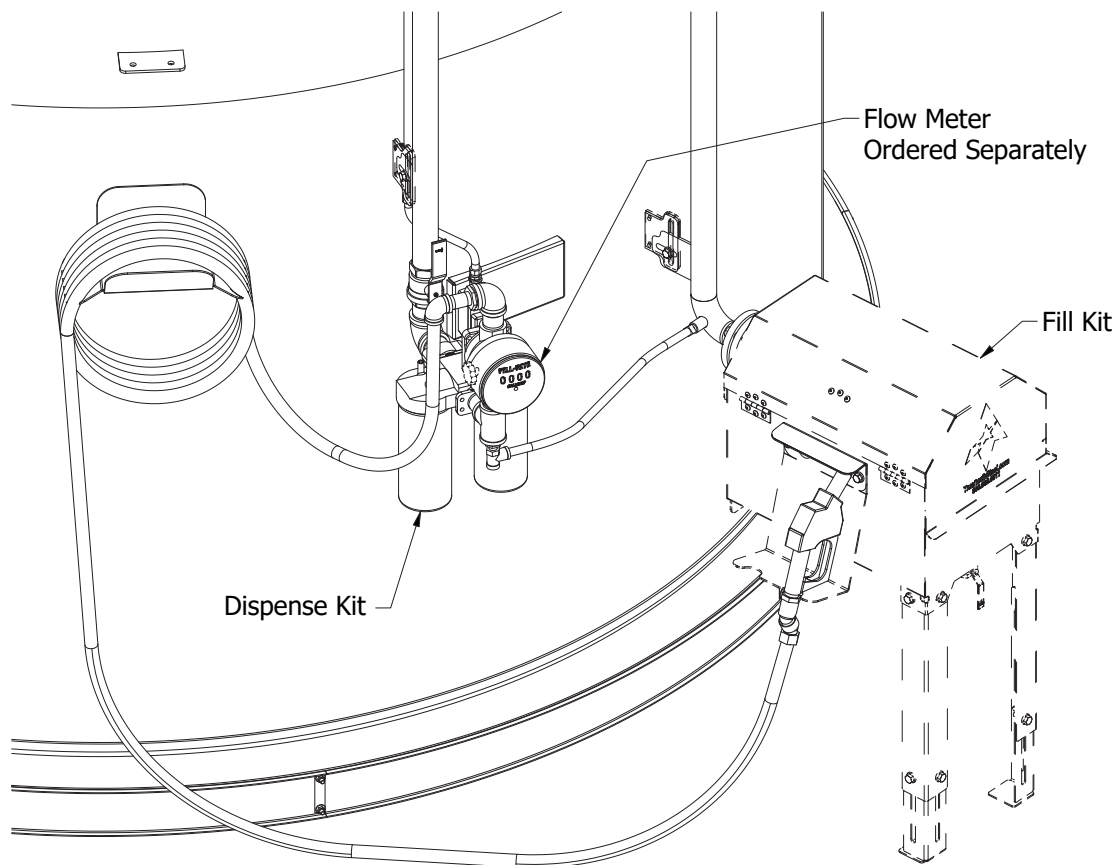


DISPENSE KITS FOR VERTICAL FLAMESHIELD® AND FIREGUARD® TANKS INSTALLATION GUIDE



This instruction applies to the following kits available from TrueNorth Steel:

- 1504-0054** 1" hose and nozzle size
- 1504-0055** 1 1/2" hose and nozzle size
- 1504-0053** Combination 1" & 1 1/2" hose and nozzle sizes
- 1504-0056** 3/4" hose and nozzle size (Gas)
- 1504-0052** Hose and nozzle kit not included (Aviation)

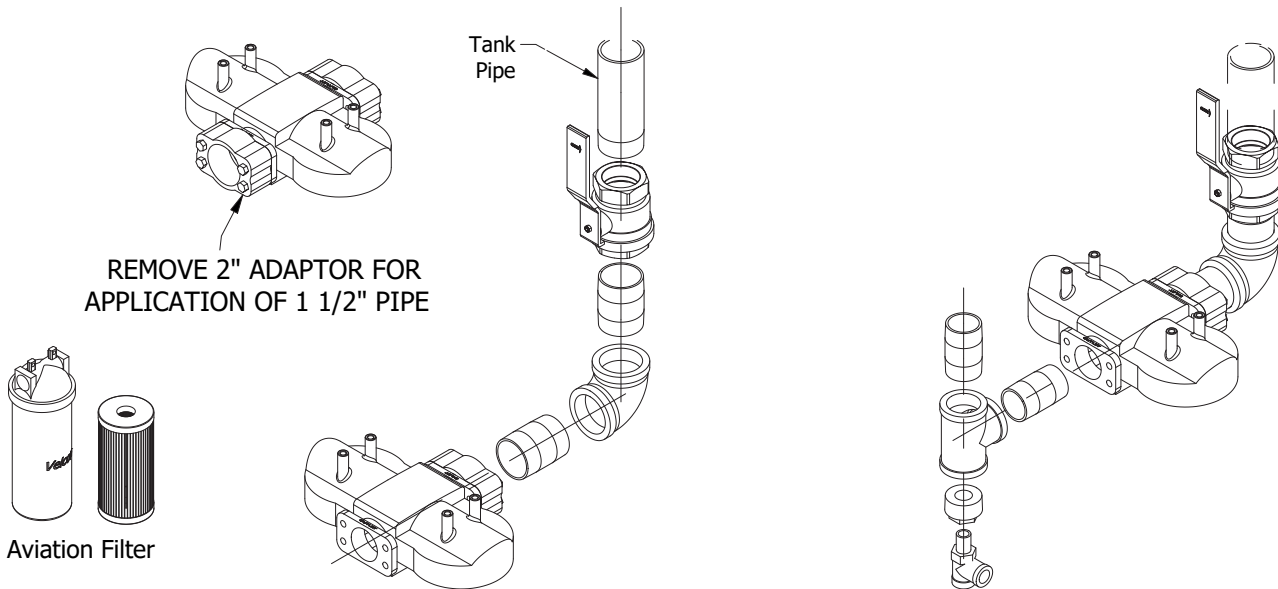
DISPENSE KIT CONTENTS

1. Ball valve
2. Filter head and filters
3. Pressure relief valve and hose
4. Pipe fittings: elbows, bushings, nipples
5. Hose, swivel, nozzle
6. Hose hanger
7. Thread sealant

Document #4000-0010

INSTALLATION GUIDE

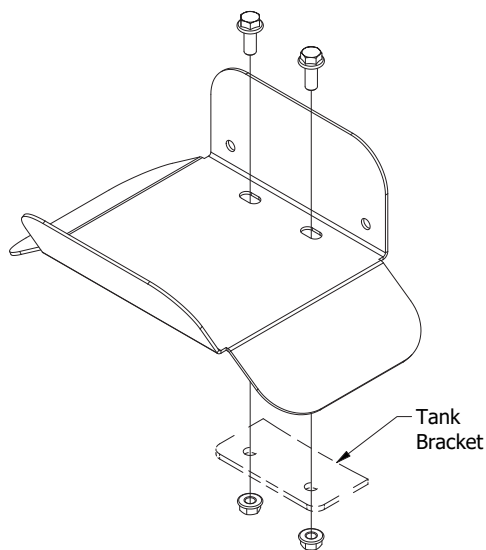
Note: Use thread sealer supplied with kit on all threaded joints



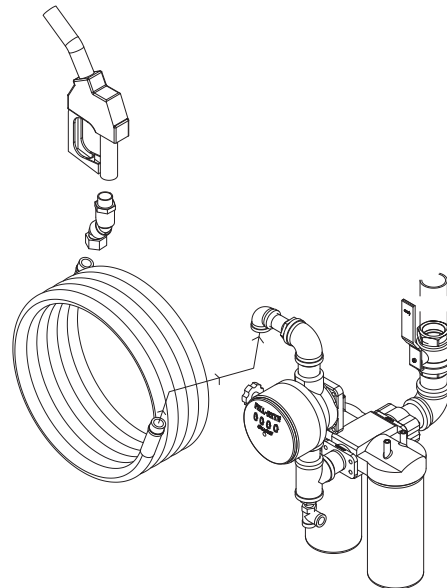
1. Attach ball valve to tank pipe
2. Connect elbow and 2 pipe nipples
3. Attach filter head to pipe nipple (cannister filter used for Aviation system)
4. Remove 2" pipe adaptor from side of filter head
5. Connect 2 pipe nipples and tee to filter head, install filters onto head
6. Connect bushing to downward outlet of tee
7. Install pressure relief valve on bushing, orient hose connection to right



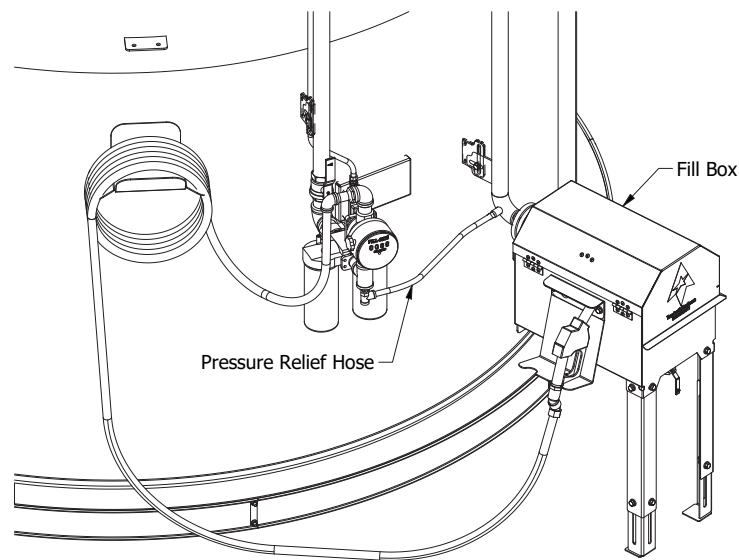
8. Rotate meter for bottom-to-top flow per manufacturer's instructions (meter sold separately)
9. Install meter above pipe tee using pipe nipple
10. Connect remaining pipe nipples and elbows
11. End line with a downward oriented elbow



12. Position hose hanger on top of lower tank bracket
13. Secure with 2 nuts and bolts through holes of hanger and bracket

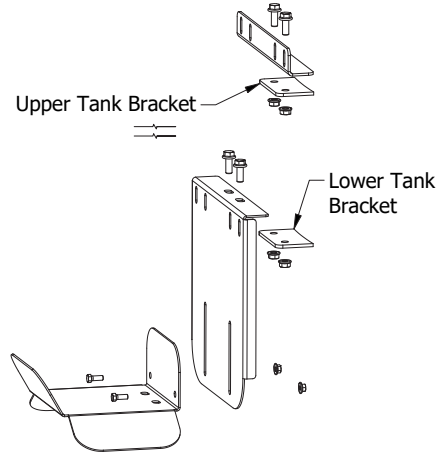
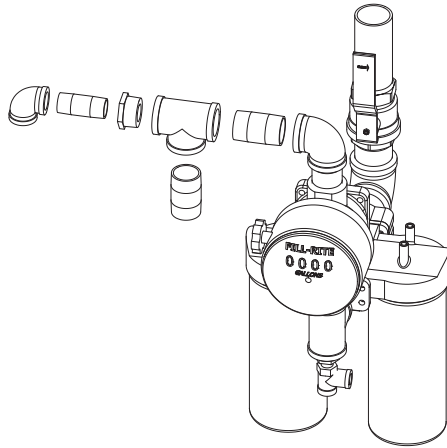


14. Connect one end of hose to downturned pipe elbow
15. Connect nozzle swivel to other end of hose
16. Connect nozzle to swivel connector

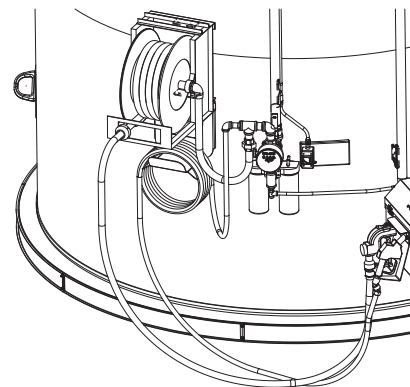
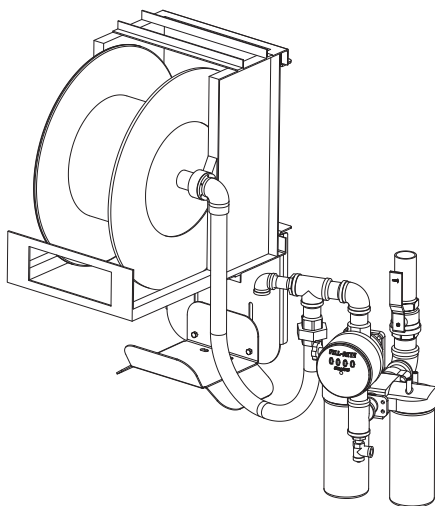


17. Coil hose onto hanger
18. House nozzle in fill box holster
19. Connect hose from pressure relief valve to fitting on the fill pipe

INSTALLATION OF DUAL HOSE AND NOZZLE



1. Complete installation following instruction through elbow above meter
2. Connect tee and nipple to elbow, oriented in down direction for first hose
3. Connect elbow and nipple to tee, oriented in down direction for second hose (reducer bushing provided in kit as needed for various hose sizes)
4. Assemble hose hanger assembly with 3/8" nuts and bolts
5. Attach hose hanger assembly on top of lower tank bracket with 1/2" nuts and bolts
6. Attach hose reel hanger bracket on top of upper tank bracket with 1/2" nuts and bolts (bracket supplied in reel kit)



7. Install hose reel per kit reel instructions, connect flex pipe to tee with union supplied in hose reel kit
8. Connect hose and nozzle to downturned elbow
9. Coil hose onto lower hose hanger, place nozzle on fill box
10. Install hose for hose reel per reel kit installation instructions
11. Connect swivel and nozzle to hose, place fill on box