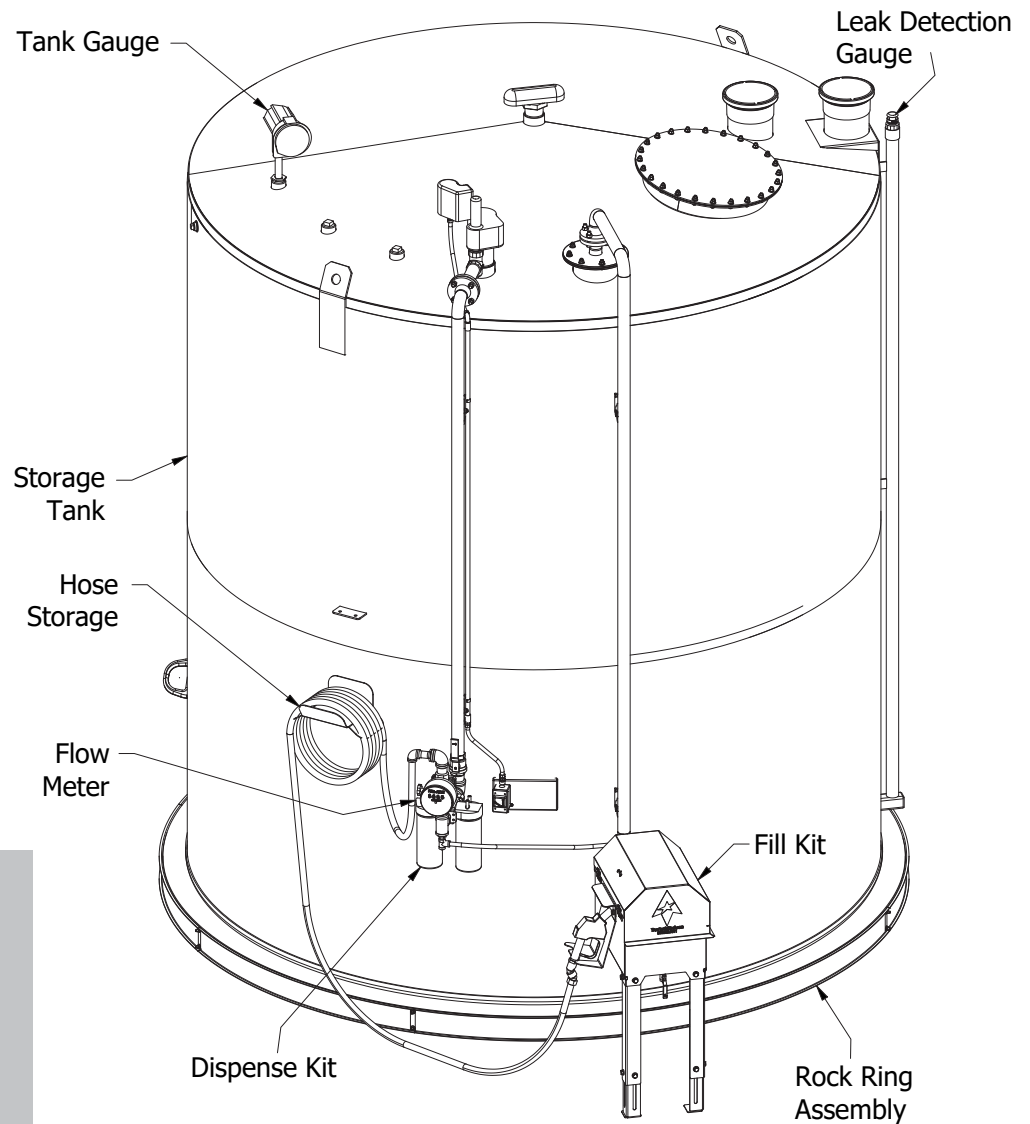


# FLAMESHIELD® VERTICAL STORAGE TANK MANUAL



## FEATURES

1. Rock Ring Assembly
2. Storage Tank
3. Tank Gauge
4. Flow Meter
5. Leak Detection Gauge
6. Fill Accessory Kit
7. Dispense Accessory Kit
8. Hose Storage Accessory Kit

Document #4000-0009

## FEATURE 1: ROCK RING ASSEMBLY

1. 5" rolled channel sections
2. Hardware for on-site assembly
3. Galvanized finish

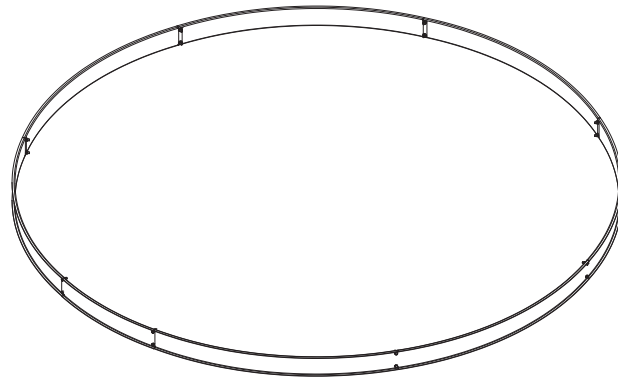
### STANDARD SIZES AND PART NUMBERS

**1500-0111** 12' Diameter for 11' Tank

**1500-0112** 13' Diameter for 12' Tank

**1500-0113** 14' Diameter for 13' Tank

- \* Other sizes available in 1' increments.  
Contact TrueNorth Steel Sales for more information.



## FEATURE 2: STORAGE TANK

1. Steel tank of specified size
2. 24" top manway
3. Morrison Bros. Co. emergency vents
4. 2" NPT fitting for leak detection
5. 3" working tee-vent
6. Three 2" NPT fittings, shipped with plugs
7. Hose reel mounting tabs
8. Fill line options: Raise face flange
9. Dispense options: 2" NPT and submersible pump switch

### STANDARD SIZES AND PART NUMBERS

**1005-0170** 11'x12' 8,500 Gallon

**1005-0171** 12'x12' 10,000 Gallon

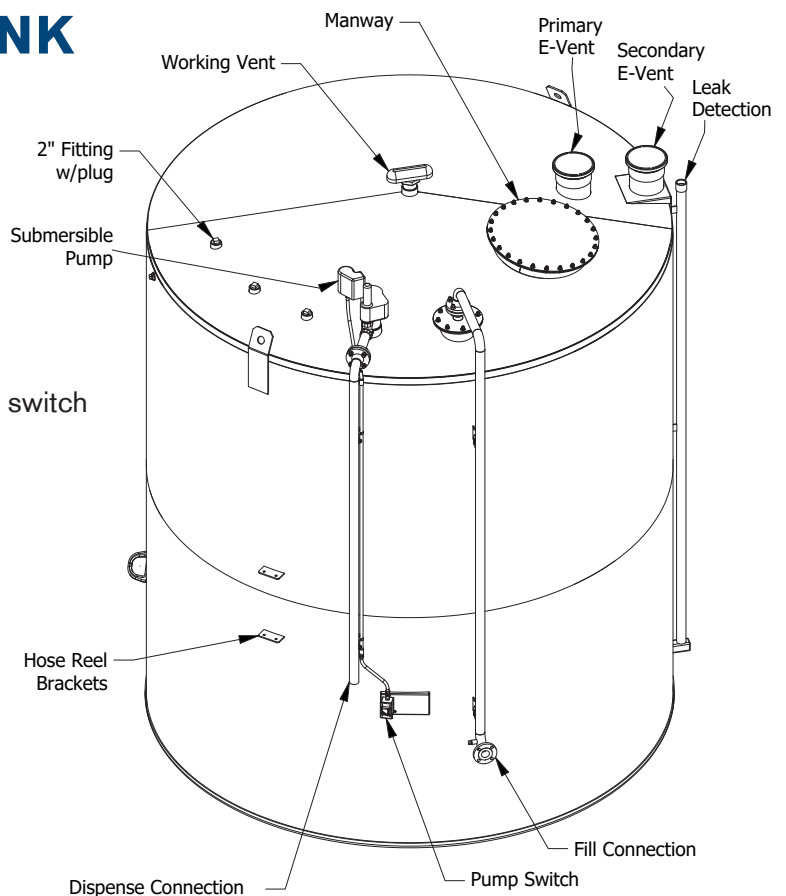
**1005-0172** 12'x15' 12,600 Gallon

**1005-0194** 12'x17' 14,300 Gallon

**1005-0195** 13'x17' 16,800 Gallon

### TANK OPTIONS (SHIPPED INSTALLED)

1. Fill Line:
  - Pipe size: 2" or 3"
  - Overfill protection: yes or no
2. Dispense Line:
  - Submersible pump: 1.5 HP or 2 HP
  - Anti-siphon: mechanical spring or electronic solenoid
3. Color:
  - Standard: white
  - Other colors available



\* Custom tank sizes and fitting layouts available.  
Contact TrueNorth Steel Sales for more information.

## FEATURE 3: TANK GAUGE

Installed by customer per manufacturer's instructions

### STANDARD OPTION PART NUMBERS

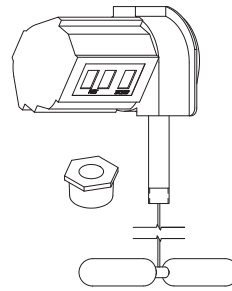
**3900-0649** Morrison Bros. Co. 1518, up to 20' height

**TB001161** 2"x1" NPT bushing

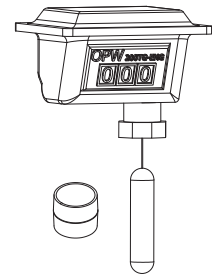
**TB000527** OPW200TG ENG, up to 20' height

**TB000528** OPW200TG ENG40, up to 40' height

**TB0001369** 2" X close-length NPT pipe nipple



Morrison Bros. Co.  
1518 w/Bushing



OPW200TG ENG  
w/Pipe Nipple

## FEATURE 4: FLOW METERS

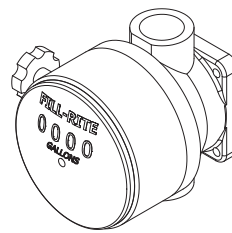
1. Fill-Rite® brand products
2. 1 1/2" NPT connection size
3. Analog or digital/pulse options

### PART NUMBERS

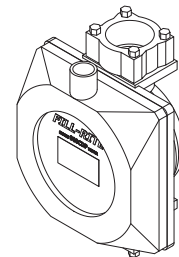
**TB002318** Analog

**3900-0728** Digital with pulse

**Note:** Flow meters must be installed with meter rotated to a bottom-to-top flow direction. See manufacturer's instruction.



Analogue



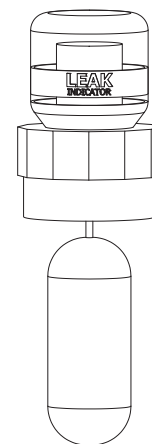
Digital with Pulse

## FEATURE 5: LEAK GAUGE

1. Installed by customer per manufacturer's instructions
2. Morrison Bros. Co. brand product
3. 2" NPT connection size

### PART NUMBERS

**3900-0867** Leak indicator model 724-0200AI



Leak Indicator Float Gauge

## FEATURE 6: FILL BOX ACCESSORY KITS

1. Containment box
2. Flange assembly for tank connection
3. Flange gasket kit
4. Check valve, ball valve, cap, pipe fittings

### PART NUMBERS

**1505-0040** Fill box kit, 2" pipe size

**1505-0041** Fill box kit, 2" pipe size

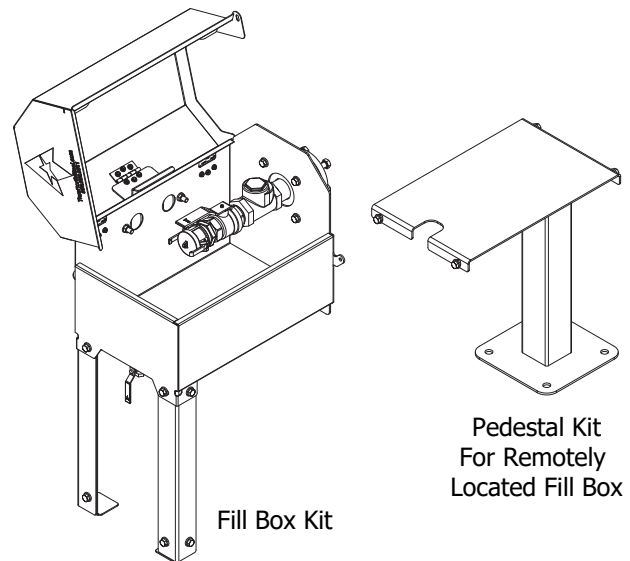
### REMOTELY LOCATED FILL BOX SUPPORTED PEDESTAL

**1505-0075** Pedestal kit with hardware

### INSTALLATION INSTRUCTIONS

**4000-0011** Fill Box Kit for AG Tanks

**Note:** Piping kits are not available for remotely located fill box plans. Piping and fittings must be planned and ordered separately.



## FEATURE 7: HOSE STORAGE KIT

1. Ball valve and all pipe fittings
2. Filter head and filters
3. Pressure relief valve and hose
4. Hose and hose hanger
5. Nozzle and swivel connector

### PART NUMBERS

**1504-0054** 1" hose and nozzle size

**1504-0055** 1 1/2" hose and nozzle size

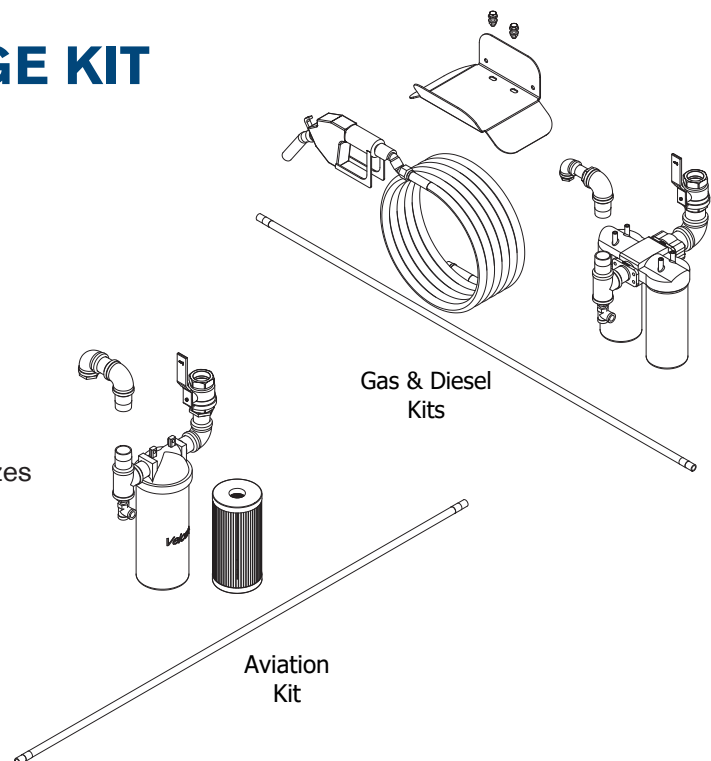
**1504-0053** Combination 1" & 1 1/2" hose and nozzle sizes

**1504-0056** Gas kit with 3/4" hose and nozzle size

**1504-0052** Aviation kit; hose and nozzle not included

### INSTALLATION INSTRUCTIONS

**4000-0010** Dispense Kit for Vertical Flameshield® and Fireguard® Tanks



## FEATURE 8: HOSE STORAGE KIT

1. Reelcraft® reel
2. Flex pipe with connection fittings
3. Hose stop

### PART NUMBERS

**1505-0047** 1" with spring rewind

**1505-0048** 1 1/2" with spring rewind

**1505-0049** 1" with manual crank

**1504-0045** Adjustable hose hanger

### INSTALLATION INSTRUCTIONS

**4000-0012** Hose Storage Kits for AG Tanks

