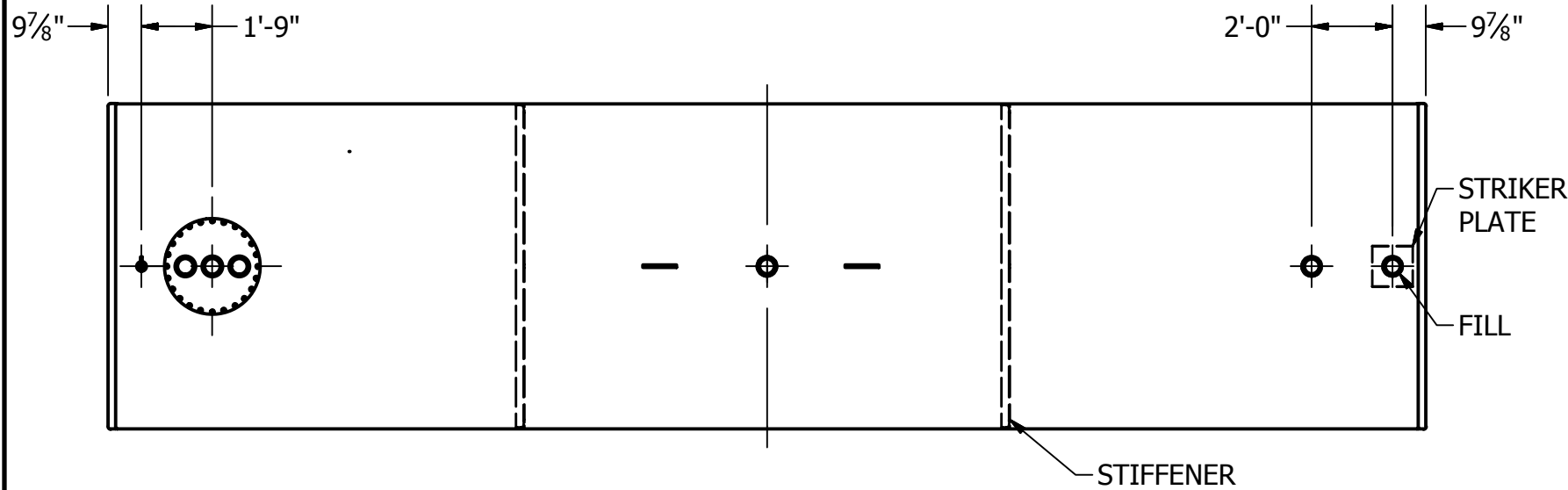
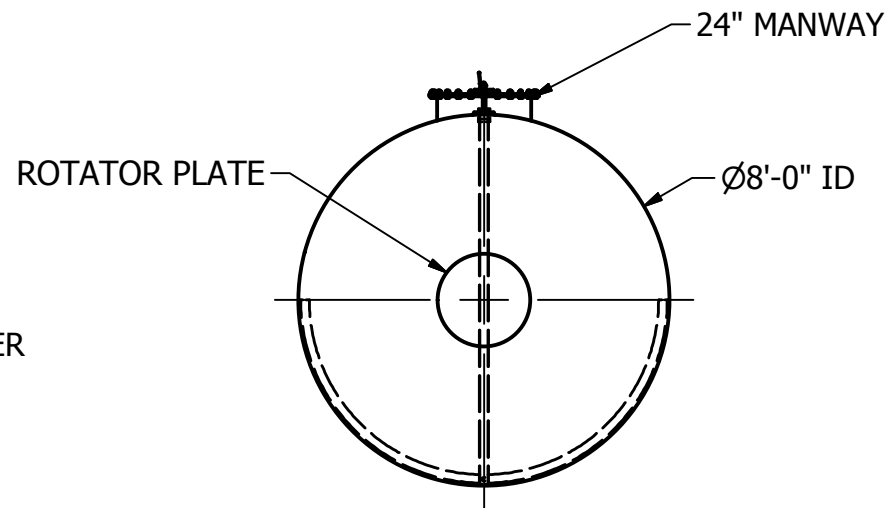
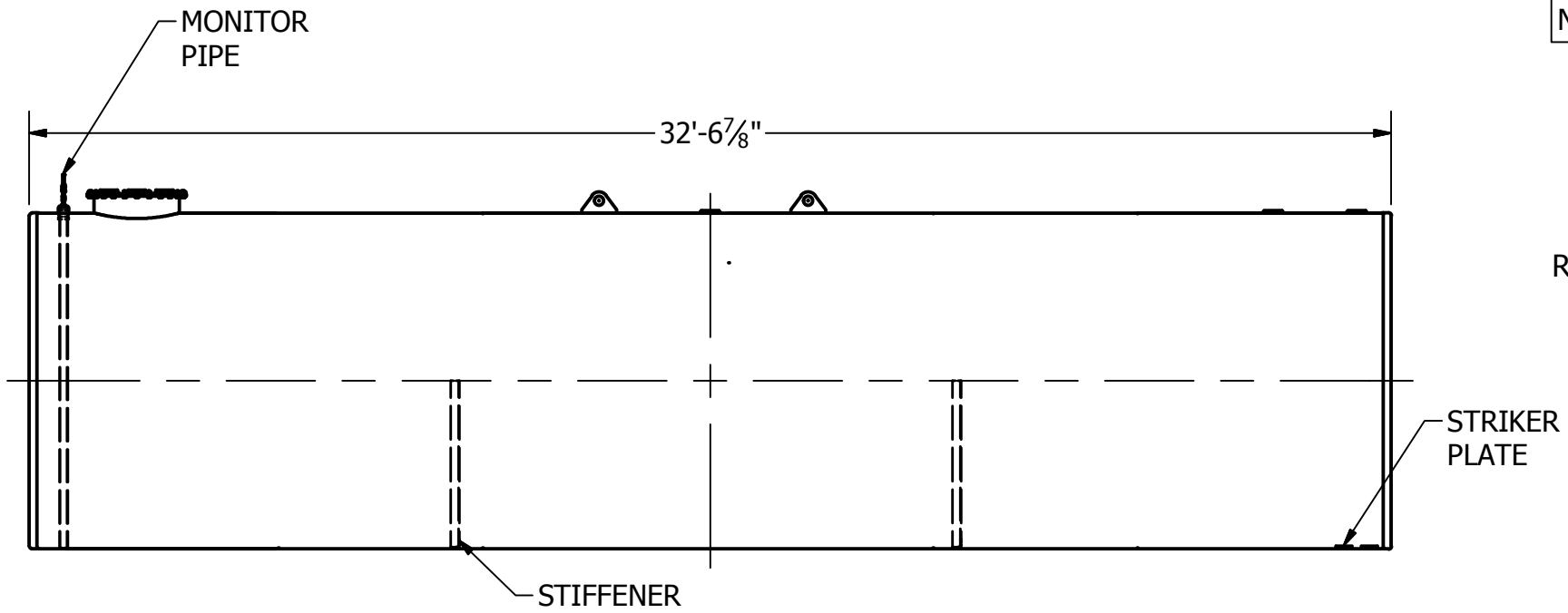


QC	LAYOUT	DIM. INSP.:	WELDER:	WELD INSP.:	COATING:	COAT. INSP.:	COMP. DATE:	HEAT #:
----	--------	-------------	---------	-------------	----------	--------------	-------------	---------



TANK SPECIFICATIONS	
ITEM	VALUE
Nominal Capacity (gal)	12000
Weight (lbs)	8718
Nominal Diameter (ft-in)	8'
Nominal Length (ft-in)	32'
Head Thickness (in)	1/4"
Shell Thickness (in)	3/16"
Manway	24" Steel, Buna Gasket, Nuts/Bolts
Fittings	4" FNPT Weld Flanges, Pilot, Curved 4" FNPT Weld Flange 150# (Manway)
Design Standard	Primary steel tank shall be built & tested in accordance with UL58 steel underground storage tanks for flammable & combustible liquids. Fiberglass reinforced plastic jacket shall be manufactured & applied in accordance with Plasteel® specifications & UL1746 part III, corrosion protection systems for underground storage tanks
FRP Thickness (Inches)	1/8"
Stiffener (Qty# or None)	2



DRAFT - NOT FOR PRODUCTION

DATE	REV	DESCRIPTION	PROJ#	BY
3/12/2018	A	APPROVAL	DR-308	DSC
REVISION HISTORY				

<p>3rd ANGLE PROJECTION</p> <p>UNLESS OTHERWISE SPECIFIED: UNITS = INCHES TOLERANCE: LINEAR ±1/8" ANGULAR ±1/2"</p>	<p>4401 West Main Fargo, ND 58103 Phone: 701-282-2345 Fax: 701-282-5516 TrueNorthSteel.com</p>	<p>TrueNorth Steel</p>							
	<table border="1"> <tr> <td>DRAWN</td> <td>DSC</td> <td>DATE</td> <td>3/12/2018</td> </tr> <tr> <td>CHECKED</td> <td></td> <td>DATE</td> <td></td> </tr> </table>		DRAWN	DSC	DATE	3/12/2018	CHECKED		DATE
DRAWN	DSC	DATE	3/12/2018						
CHECKED		DATE							
<p>THIS DRAWING IS THE SOLE PROPERTY OF TRUENORTH STEEL INC. ANY COPIES/EDITS MADE WITHOUT THE WRITTEN CONSENT OF TRUENORTH STEEL, IS STRICTLY PROHIBITED.</p>		<p>SCALE DO NOT SCALE DRAWING</p>	<p>SHEET 1 OF 1</p>						