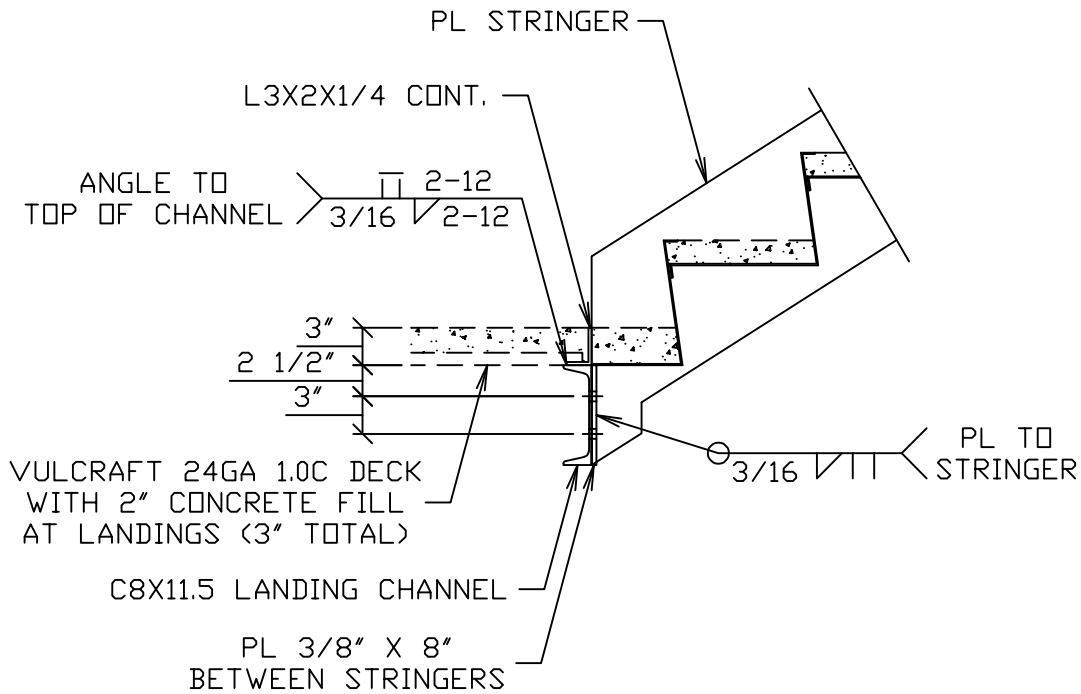


PL STRINGER SIZES  
 1-13 TREADS = PL1/4X12  
 14-17 TREADS = PL5/16X12  
 18-24 TREADS = PL3/8X12



STANDARD STRINGER CONNECTION  
 AT BOTTOM TO LANDING CHANNEL

D  
01

SCALE: 1" = 1'-0"

GENERAL NOTES	REVISIONS		
	REV.	DATE	DESCRIPTION
STEEL: A36      HSS: A500-Gr.C			
ELECTRODES: E70C-6M or E70-LH			
WELD FINISH: STD. TYPE 2 NOMMA			
	A	7-7-21	Preliminary
BACK CHARGES WILL NOT BE HONORED WITHOUT PRIOR AUTHORIZATION			



**TrueNorth Steel**

TrueNorthSteel.com

**MANDAN MISCELLANEOUS METALS**

2522 MEMORIAL HIGHWAY MANDAN, ND  
 PHONE 701.663.0321 FAX 701.663.1724

	CHECKED BY: X	DRAWN BY: MJW	JOB NUMBER	
		SCALE: AS NOTED		
PROJECT: TrueStair Standard Details				DRAWING NO: REV:
CONTRACTOR: -				- A