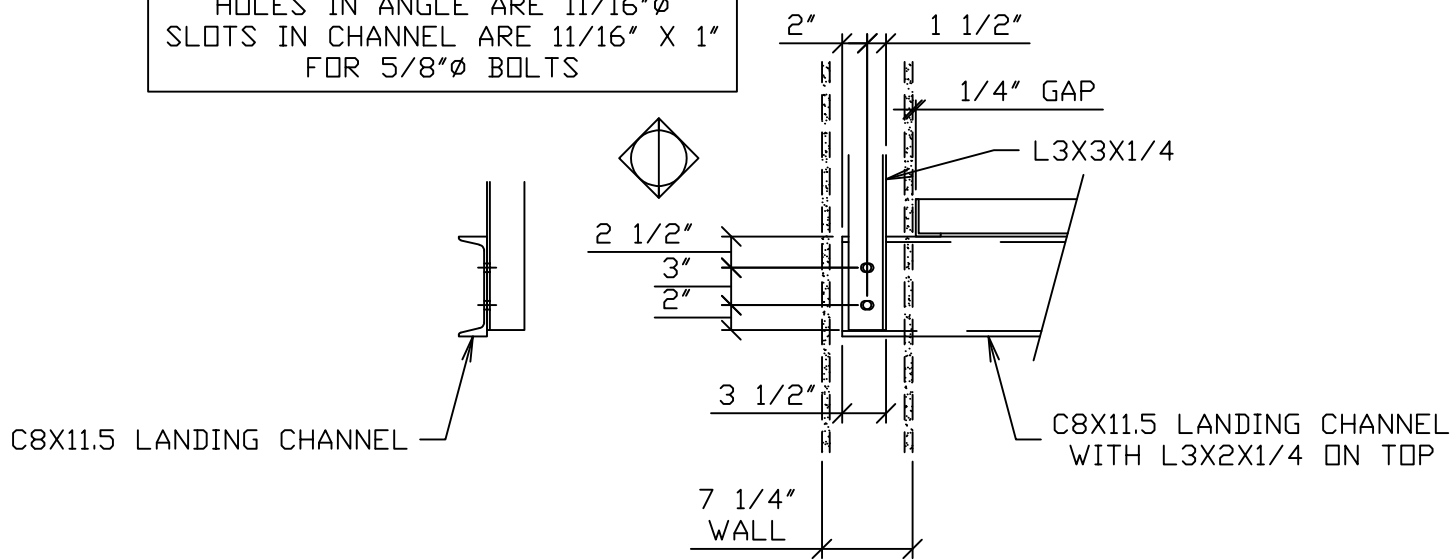


HOLES IN ANGLE ARE 11/16"Ø
SLOTS IN CHANNEL ARE 11/16" X 1"
FOR 5/8"Ø BOLTS



H
01
STANDARD HANGER CONNECTION
AT LANDING SUPPORT CHANNELS
SCALE: 1" = 1'-0"

GENERAL NOTES		REVISIONS			<p>TrueNorth Steel TrueNorthSteel.com</p> <p>MANDAN MISCELLANEOUS METALS 2522 MEMORIAL HIGHWAY MANDAN, ND PHONE 701.663.0321 FAX 701.663.1724</p>	CHECKED BY: X		DRAWN BY: MJW	JOB NUMBER
STEEL: A36	HSS: A500-Gr.C	REV.	DATE	DESCRIPTION		SCALE: AS NOTED			
ELECTRODES: E70C-6M or E70-LH									
WELD FINISH: STD. TYPE 2 NOMMA									
		A	7-7-21	Preliminary					
BACK CHARGES WILL NOT BE HONORED WITHOUT PRIOR AUTHORIZATION					PROJECT: TrueStair Standard Details	DRAWING NO: REV:			
					CONTRACTOR: -	-	A		