

REEL KIT

INSTALLATION GUIDE

Install Reed Brackets:

Attach upper bracket to top side of upper tank tab with two bolts and nuts, orientated so the vertical leg is in the upward direction. Leave bolts loose enough for adjustment.

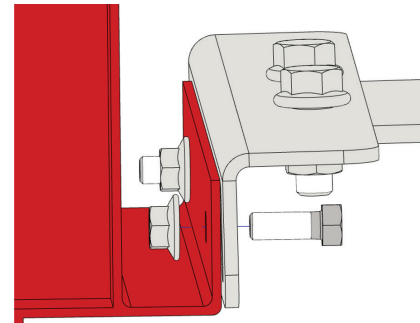
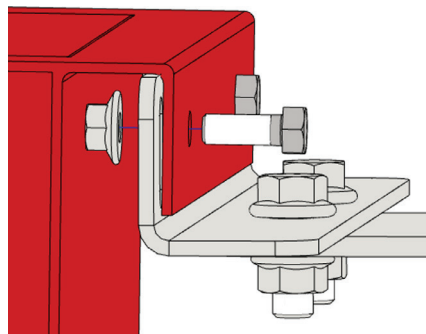
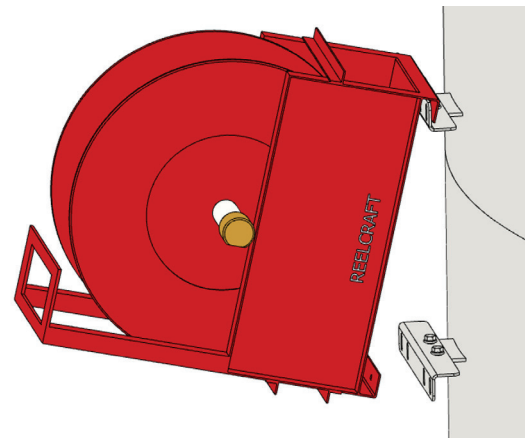
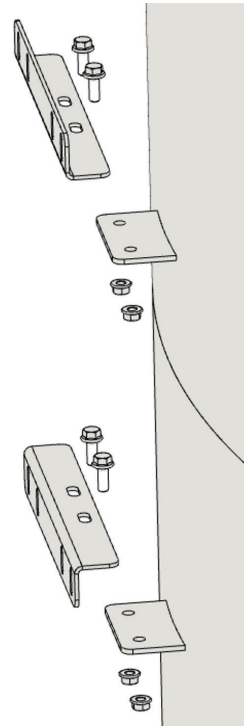
Attach lower bracket similarly to top side of lower tank tab orientated so the vertical leg is in the downward direction.

Hang reel in place, hooking the top over the top of the upper reel bracket.

Attach reel to upper bracket with two 3/8" size bolts and nuts.

Attach reel to lower bracket in similar manor, adjusting the brackets as needed to align with holes.

Tighten all bracket bolts and nuts.



REEL KIT

Complete the installation of the dispensing kit with filters and meter if not already done.

If installing a 1" hose size reel kit, connect at 1 1/2"x1" bushing to the tee above the flow meter of the dispensing kit.

Attach a pipe nipple to the bushing.

If installing a 1 1/2" hose size reel, attach pipe nipple directly to the tee.

Attach one part of the union to the end of the pipe nipple and apply the second part to one end of the flex hose.

Attached the other end of the flex hose to the hose reel fitting. Connect union to complete hose connection.

Install hose onto the reel with the hose bumper stop in place at the desired location.

Attach the swivel and nozzle to the end of the hose to complete the installation.

If a fill box kit is being used, the nozzle may be stowed on the nozzle bracket, located on the side of the fill box.

