

# FILL KIT FOR SINGLE WALL TANK

WITH SUBMERSIBLE PUMP

## INSTALLATION GUIDE

### Install Hydrant and Valve:

Note: apply thread sealant to all fittings as they are attached.

The tank flange fitting is 3" size. If installing a 2" fill line, attach a 3"x2" pushing, then install the 2" fire valve.

If installing a 3", install the 3" fire valve directly into the tank flange fitting.

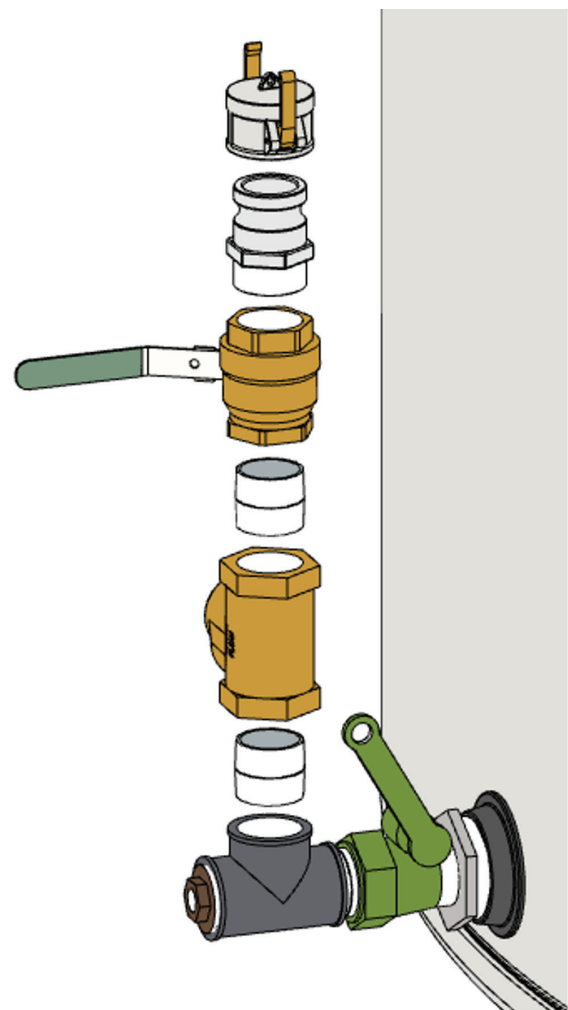
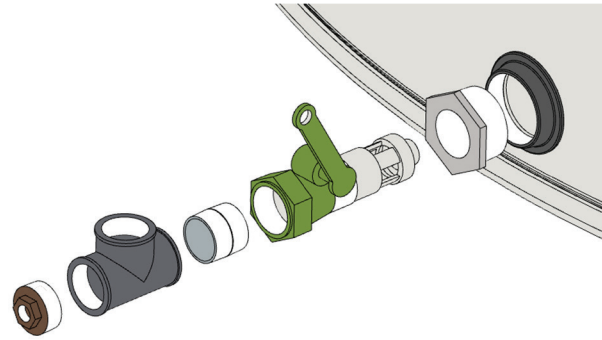
Attach a pipe nipple to the end of the fire valve, and attach pipe tee, orientated with the side fitting up.

Attach a 2"x1/2" bushing to the end of the pipe tee.

Attach a pipe nipple to upward fitting of pipe tee. Install swing check valve to pipe nipple per manufacture's instruction.

Attach a pipe nipple to the top end of the swing check valve and install a ball valve.

Attach the quick coupler and dust cap to the ball valve.



# FILL KIT FOR SINGLE WALL TANK WITH SUBMERSIBLE PUMP

If not already completed, install the dispensing and hose reel kits, following the instructions provided with these kits.

Install 1/2" fuel line, connecting one end to the bushing at the pipe tee, and the other end to the pressure relief valve above the pump filters, to complete the installation.

