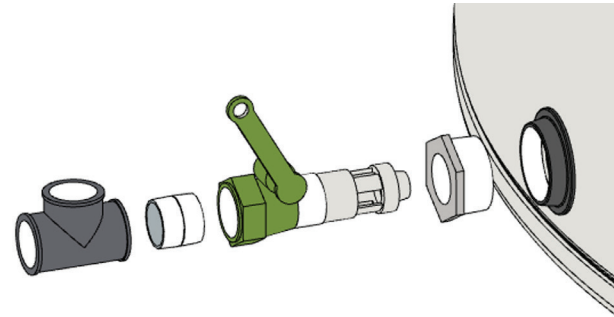


FILL & DISPENSE KIT WITH PLATFORM FOR SINGLE WALL TANK WITH FILL-RITE PUMP



INSTALLATION GUIDE

Install Hydrant & Valve:

Note: apply thread sealant to all fittings as they are attached.

Attach a 3"x2" pushing, then install the 2" fire valve.

Attach a pipe nipple to the end of the fire valve, and attach pipe tee, orientated with the side fitting up.

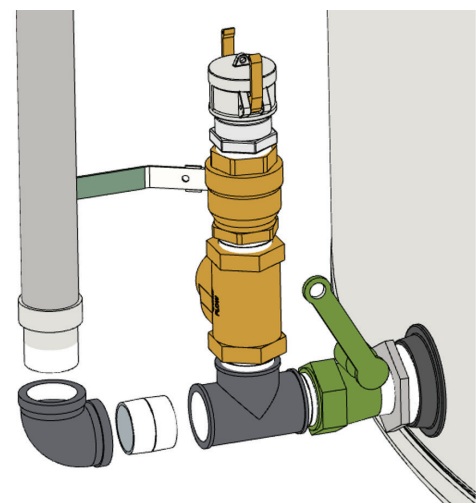
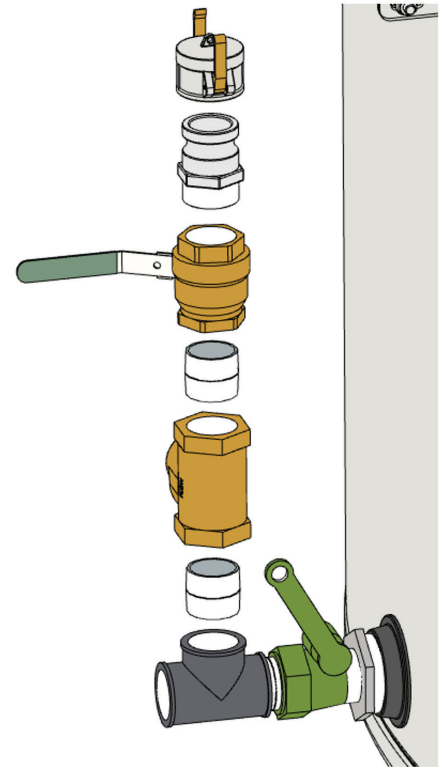
Attach a pipe nipple to upward fitting of pipe tee. Install swing check valve to pipe nipple with the flow direction arrow pointing downward to the tee.

Attach a pipe nipple to the top end of the swing check valve and install a ball valve.

Attach the quick coupler and dust cap to the ball valve.

Attached a pipe nipple to the end of the tee, and attach an elbow orientated in the upward direction.

Attach the 24" length flex hose to the elbow.



FILL & DISPENSE KIT WITH PLATFORM FOR SINGLE WALL TANK WITH FILL-RITE PUMP

Attach one part of the union to the top end of the flex hose.

Attach 6" length pipe nipple to the under-side of the platform coupler.

Attach the ball valve to bottom end of the 6" length nipple.

Attached the 4" length pipe nipple to the bottom end of the ball valve and attached the second part of the union to the 4" length nipple.

Connect the union and attach the platform to the tank platform tabs using four bolts and nuts.

Install the pump on the top side of the platform coupler following manufacturer's instructions to complete the installation.

