

# DISPENSING KIT FOR SINGLE AND DOUBLE WALL TANK WITH SUBMERSIBLE PUMP

## INSTALLATION GUIDE

Note: apply thread sealant to all fittings as they are attached.

Attach the ball valve fitting to the bottom end of the submersible pump pipe assembly.

Attach a 2" pipe nipple into the bottom end of the ball valve, then attach a 2" elbow to the pipe nipple, orientating it to turn outward, away from the tank.

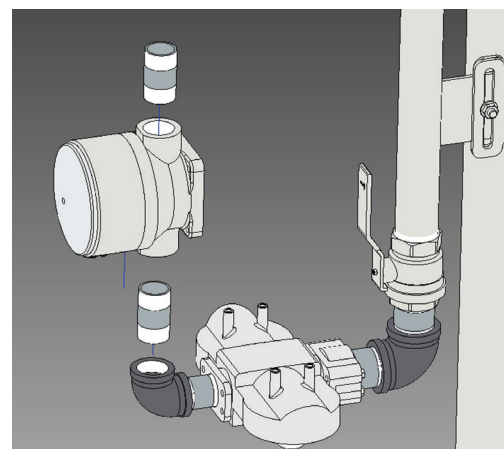
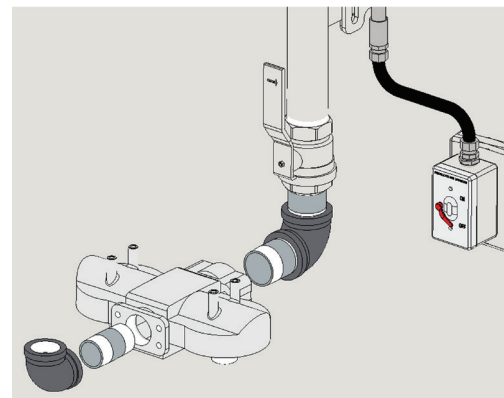
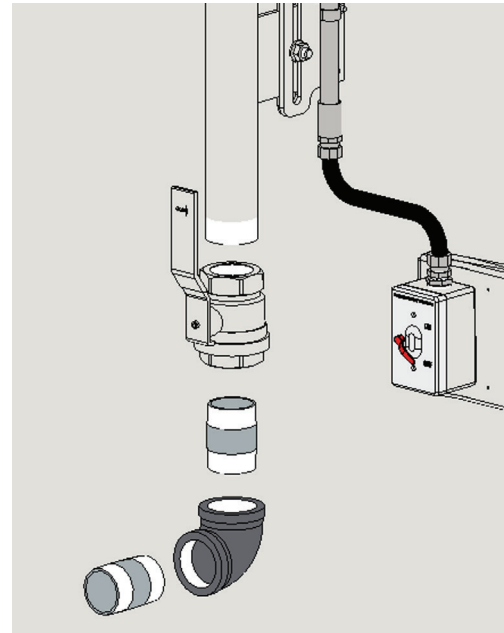
Attach a pipe nipple to the elbow and install the filter head.

Attach a 1 1/2" pipe nipple to the open side of the filter head (remove the 2" adapter from the filter head if not done already for this step).

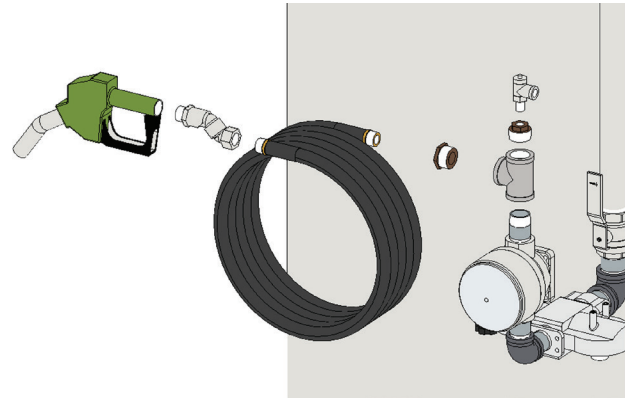
Attach a 1 1/2" elbow, orientating it to turn upward.

Attach a 1 1/2" pipe nipple to elbow and install the flow meter per manufacturer's instructions.

Attach a 1 1/2" pipe nipple to the top of the flow meter.



# DISPENSING KIT FOR SINGLE AND DOUBLE WALL TANK WITH SUBMERSIBLE PUMP



## INSTALLATION GUIDE

Attach a 1 1/2" pipe tee at the top end of the pipe nipple.

Attach a 1/2x1 1/2 bushing to the top end of the tee and install the pressure relieve valve.

If a 1" hose is being used, attach a 1x1 1/2 bushing to the tee and connect the hose. If a 1 1/2" hose is being used, connect the hose directly to the tee.

Attach the swivel and nozzle to the end of the hose.

If a second hose and nozzle are being installed, attach a second tee, between the first hose and tee, using additional pipe nipples and bushing as needed.

Install 2 oil filters onto the filter head to complete the installation.

