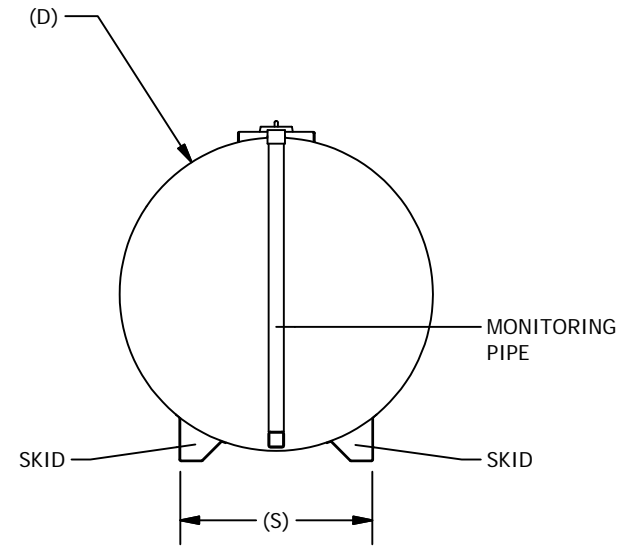
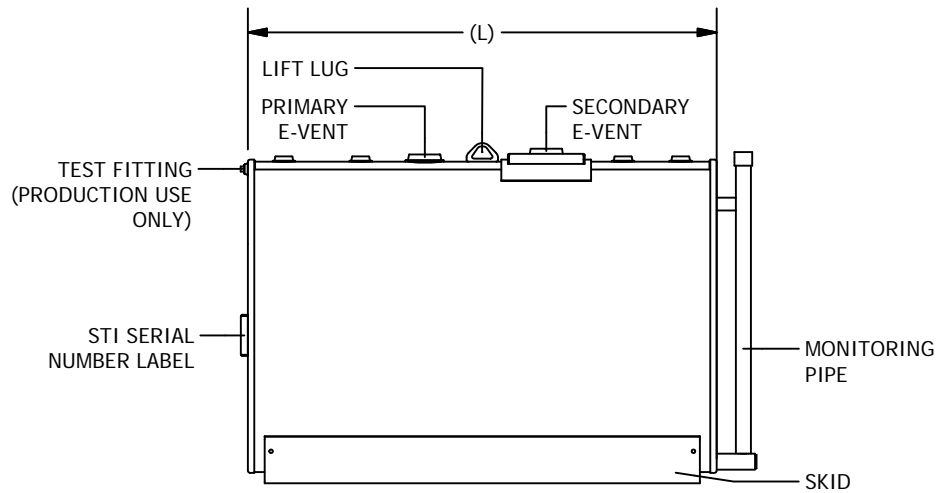
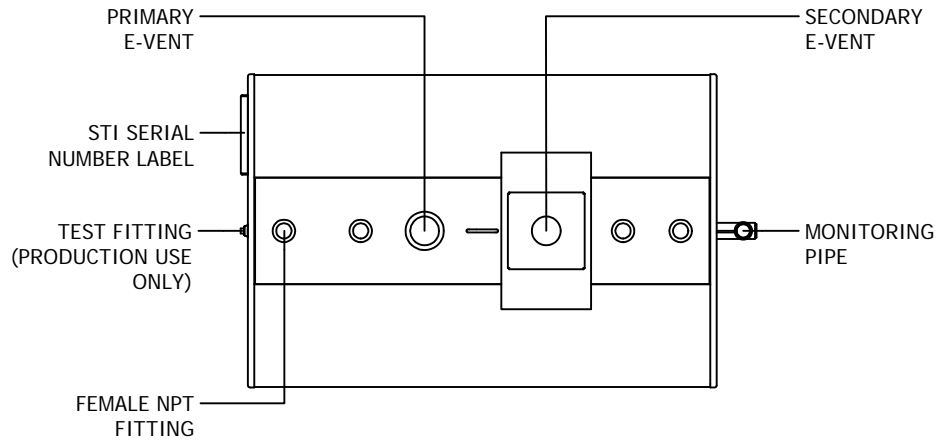


TABLE						
ITEM #	DESCRIPTION	DIAMETER (D) IN.	LENGTH (L) IN.	SKID SPACING (S) IN.	WEIGHT (APPROX)	GALLONS (NOMINAL)
1006-0059	Tank,H,560,48x72,F001,Skid,320,WH	48	72	30	1200	560
1006-0060	Tank,H,1000,64x72,F001,Skid,320,WH	64	72	40	1600	1000
1006-0199	Tank,H,2000,64x144,F001,Skid,320	64	144	40	3500	2000



REVISION HISTORY			
DATE	REV	DESCRIPTION	BY
8/11/2020	0	FOR WEBSITE	DSC
11/3/2020	1	1006-0199 WAS 1006-0122	TWS

NOTES:
 1) TANK IS INTENDED FOR STATIONARY USE.
 2) BUILT & TESTED IN ACCORDANCE WITH STI-F001 FLAMESHIELD® STANDARD FOR ABOVE GROUND TANKS.

4401 West Main
 Fargo, ND 58103
 Phone: 701-282-2345
 Fax: 701-282-5516
 TrueNorthSteel.com



DRAWN	DSC	PART#:	1006 Web STI Horizontal Tank
DATE	7/30/2020	DESCRIPTION:	Tank,H,STI,F001,Skid