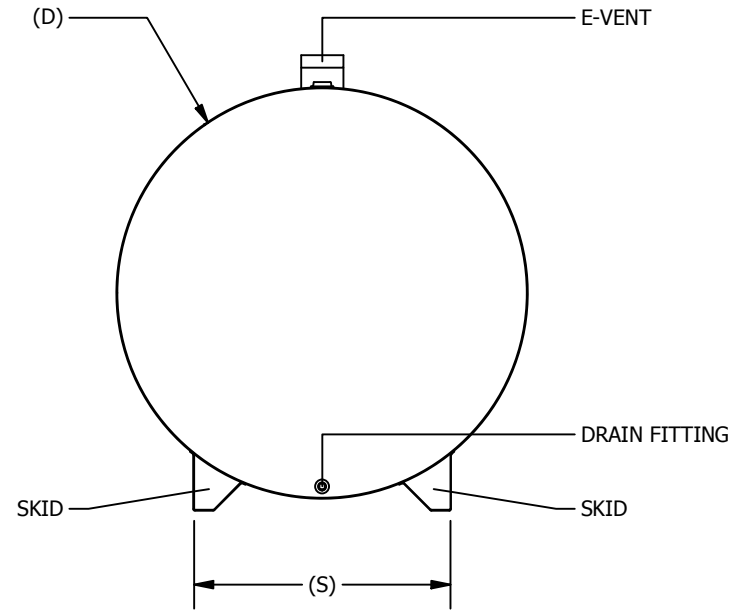
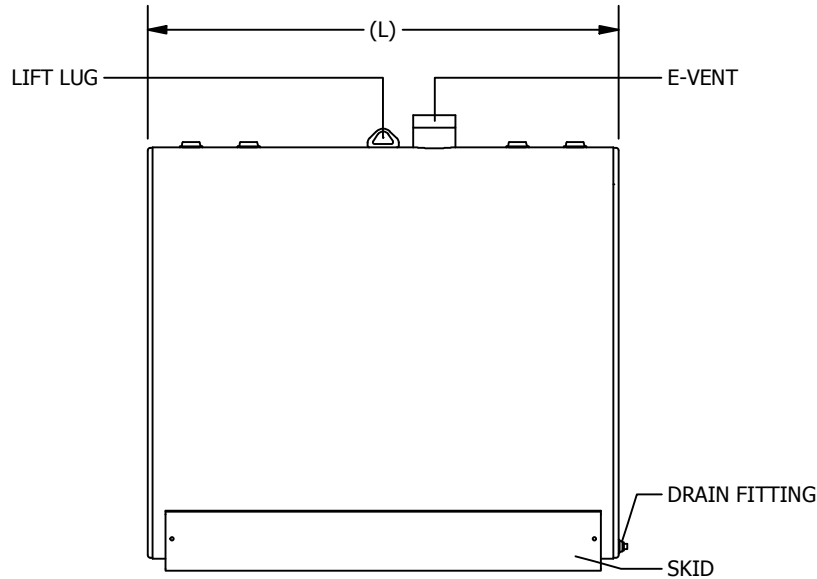
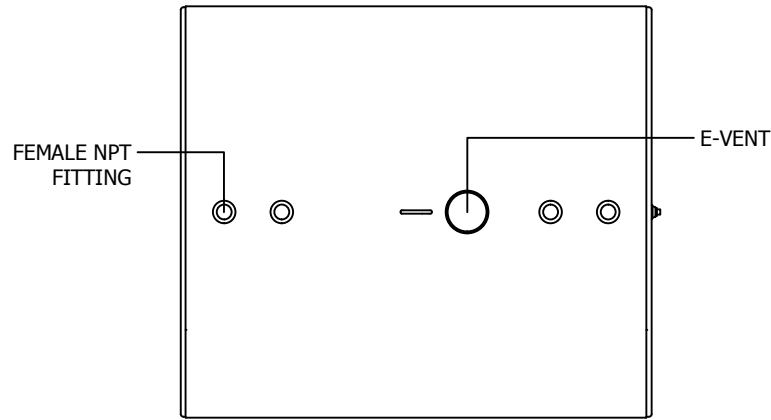


TABLE

ITEM #	DESCRIPTION	DIAMETER (D) IN.	LENGTH (L) IN.	SKID SPACING (S) IN.	WEIGHT (APPROX)	GALLONS (NOMINAL)
1004-0001	Tank,H,1000,64x72,F081,Skid	64	72	40	950	1000
1004-0002	Tank,H,2000,64x144,F081,Skid	64	144	40	2200	2000
1004-0003	Tank,H,3000,64x216,F081,Skid	64	216	40	3100	3000
1004-0004	Tank,H,4000,72x228,F081,Skid	72	228	45	4000	4000
1004-0024	Tank,H,6000,96x192,F081,Skid	96	192	53	6000	6000
1004-0025	Tank,H,8000,96x252,F081,Skid	96	252	53	7500	8000
1004-0026	Tank,H,10000,96x324,F081,Skid	96	324	53	9300	10000
1004-0027	Tank,H,12000,96x384,F081,Skid	96	384	53	11000	12000



NOTES:
 1) TANK IS INTENDED FOR STATIONARY USE.
 2) BUILT & TESTED IN ACCORDANCE WITH STI-F081 STANDARD FOR ABOVE GROUND HORIZONTAL SINGLE WALL TANKS.

4401 West Main
 Fargo, ND 58103
 Phone: 701-282-2345
 Fax: 701-282-5516
 TrueNorthSteel.com



REVISION HISTORY		
DATE	DESCRIPTION	BY
7/30/2020	STI F081 HORIZONTAL SKID TANK	DSC

DRAWN DSC	PART#: 1004 Web STI Horizontal Tank
DATE 7/30/2020	DESCRIPTION: Tank,H,STI-F081,Skid