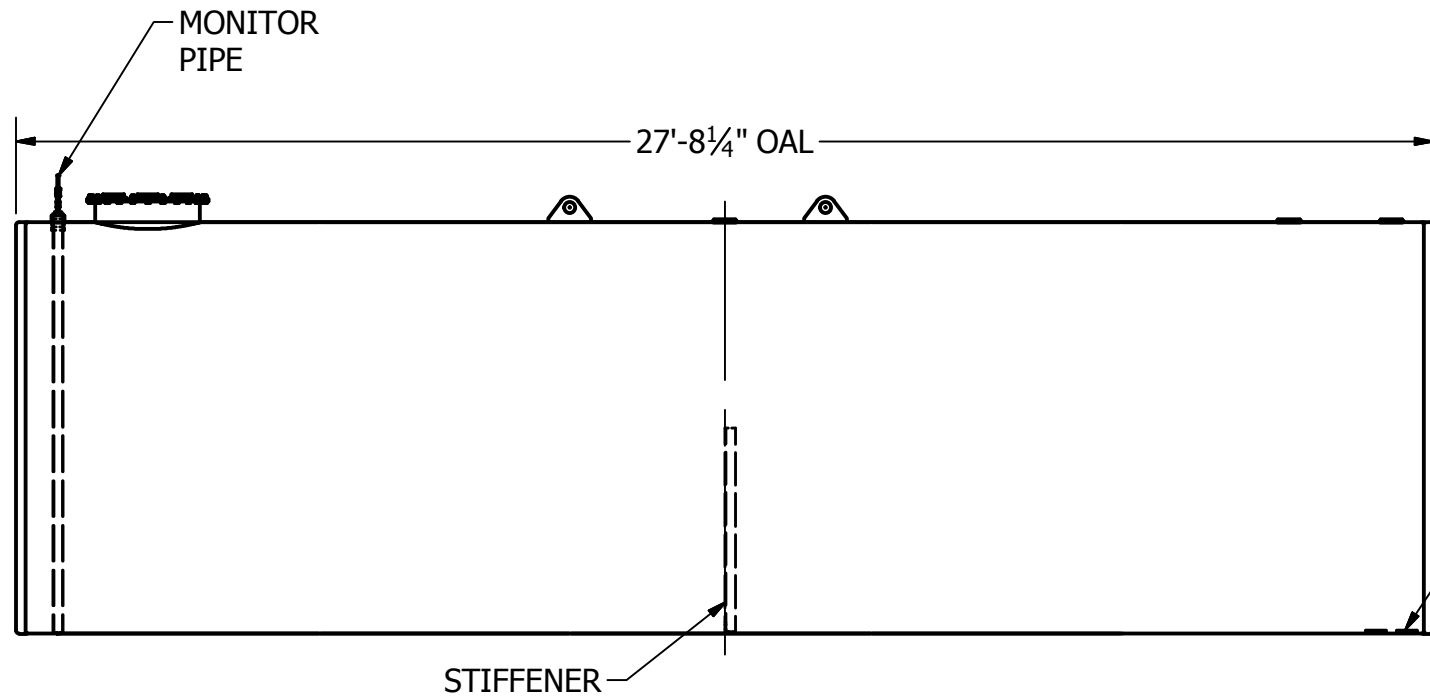
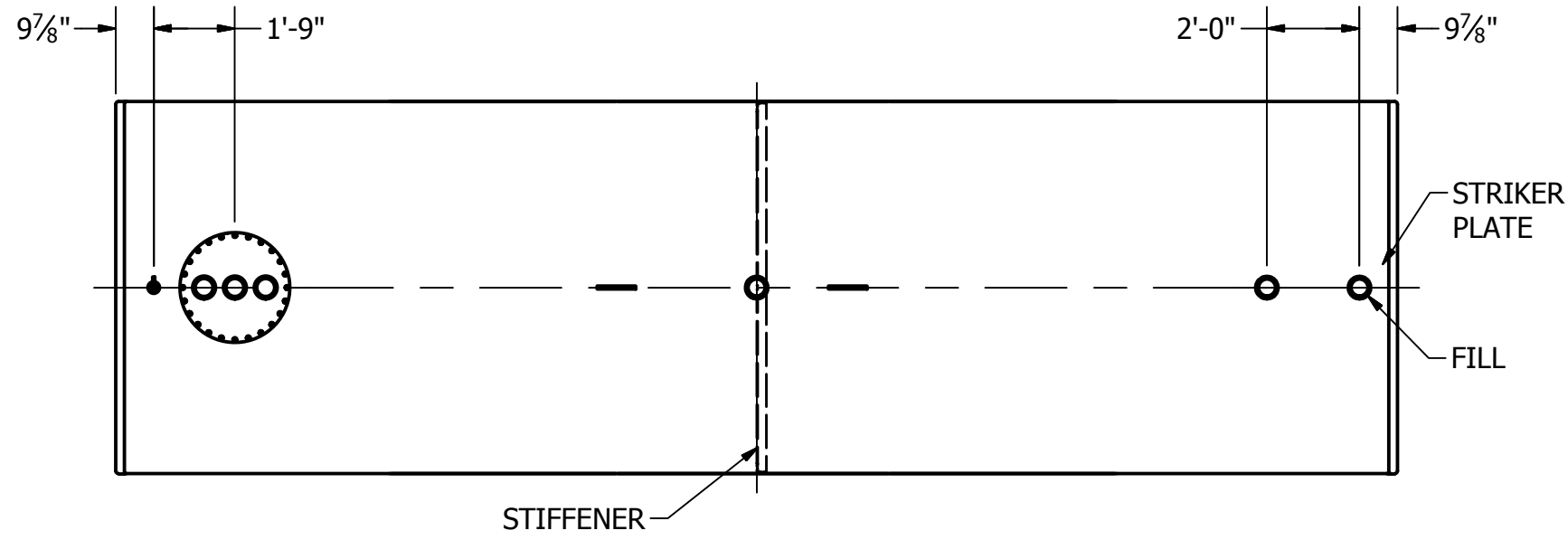
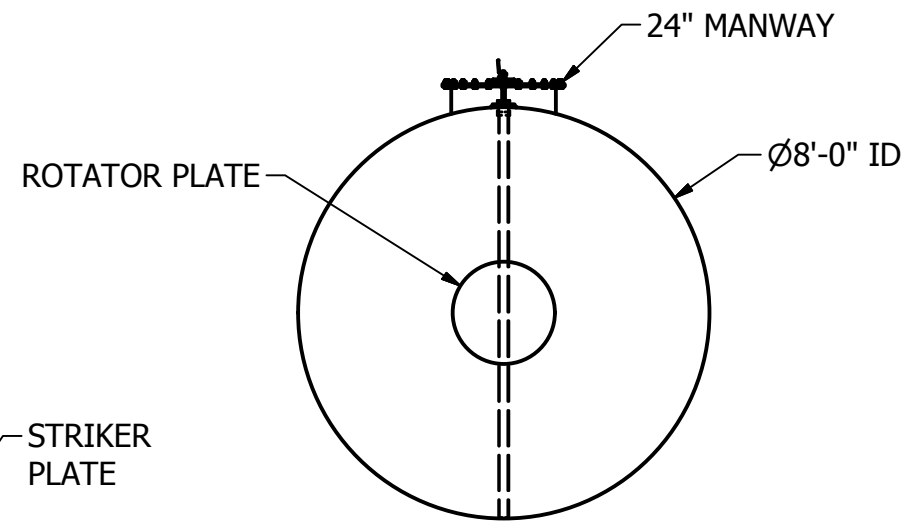


QC	LAYOUT	DIM. INSP.:	WELDER:	WELD INSP.:	COATING:	COAT. INSP.:	COMP. DATE:	HEAT #:
----	--------	-------------	---------	-------------	----------	--------------	-------------	---------

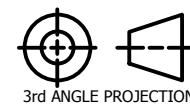


TANK SPECIFICATIONS	
ITEM	VALUE
Nominal Capacity (gal)	10000
Weight (lbs)	7572
Nominal Diameter (ft-in)	8'
Nominal Length (ft-in)	27'
Head Thickness (in)	1/4"
Shell Thickness (in)	3/16"
Manway	24" Steel,Buna Gasket,Nuts/Bolts
Fittings	4" FNPT Weld Flanges, Pilot, Curved 4" FNPT Weld Flange150# (Manway)
Design Standard	Primary steel tank shall be built & tested in accordance with UL58 steel underground storage tanks for flammable & combustible liquids. Fiberglass reinforced plastic jacket shall be manufactured & applied in accordance with Plasteel® specifications & UL1746 part III, corrosion protection systems for underground storage tanks
FRP Thickness(Inches)	1/8"
Stiffener (Qty# or None)	1



**DRAFT - NOT FOR PRODUCTION**

DATE	REV	DESCRIPTION	PROJ#	BY
1/24/2018	A	APPROVAL	DR-308	DSC
REVISION HISTORY				



UNLESS OTHERWISE SPECIFIED:

UNITS = INCHES

TOLERANCE:

LINEAR ±1/8"  
ANGULAR ±1/2"

DRAWN	DATE
DSC	1/24/2018
CHECKED	DATE

4401 West Main  
Fargo, ND 58103  
Phone: 701-282-2345  
Fax: 701-282-5516  
TrueNorthSteel.com



PART#: 1009-0045  
DESCRIPTION:  
Tank,H,10000,96x324,UL58,FRP,Base

THIS DRAWING IS THE SOLE PROPERTY OF TRUENORTH STEEL INC. ANY COPIES/EDITS MADE WITHOUT THE WRITTEN CONSENT OF TRUENORTH STEEL, IS STRICTLY PROHIBITED.

WEIGHT: 7614.176 lbmass

SCALE DO NOT SCALE DRAWING

SHEET 1 OF 1