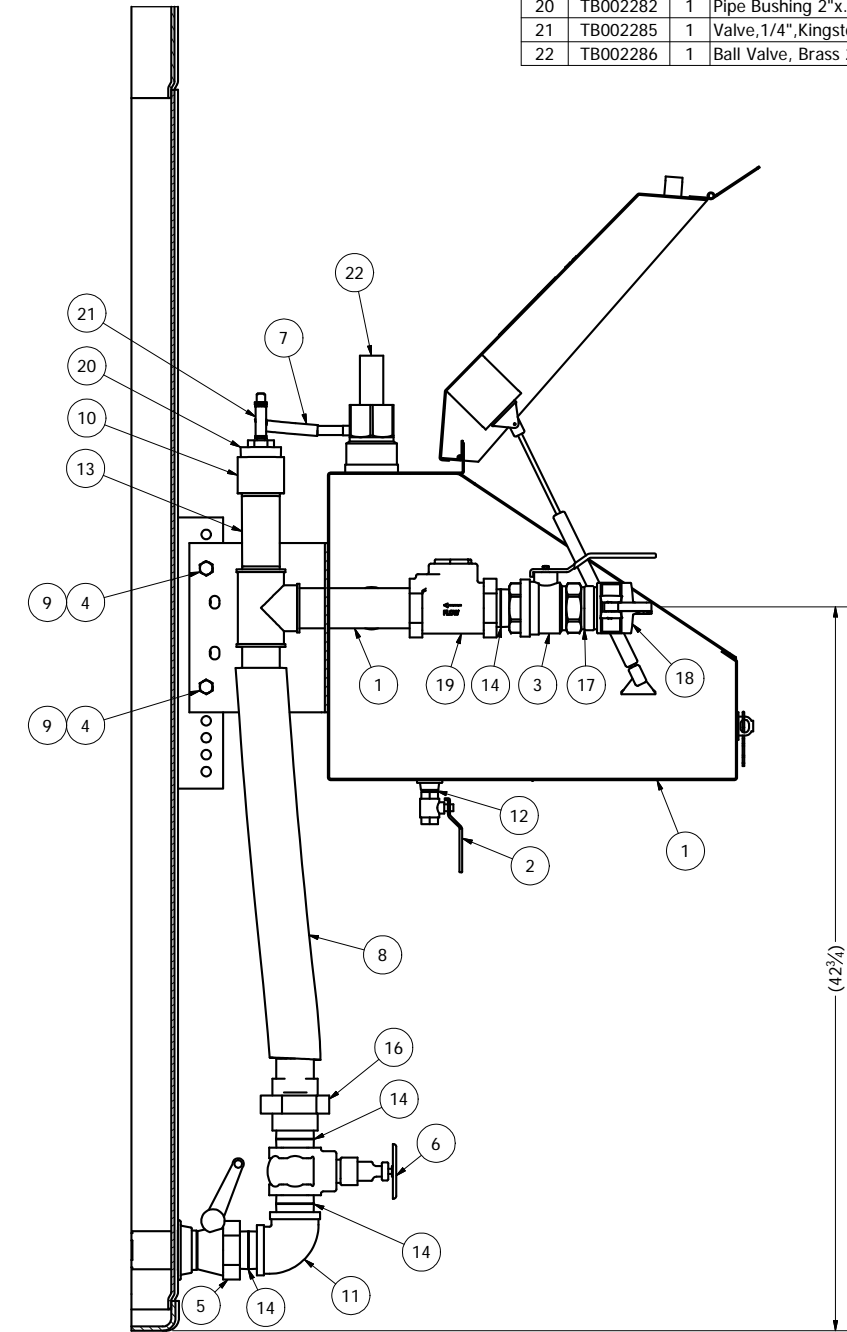
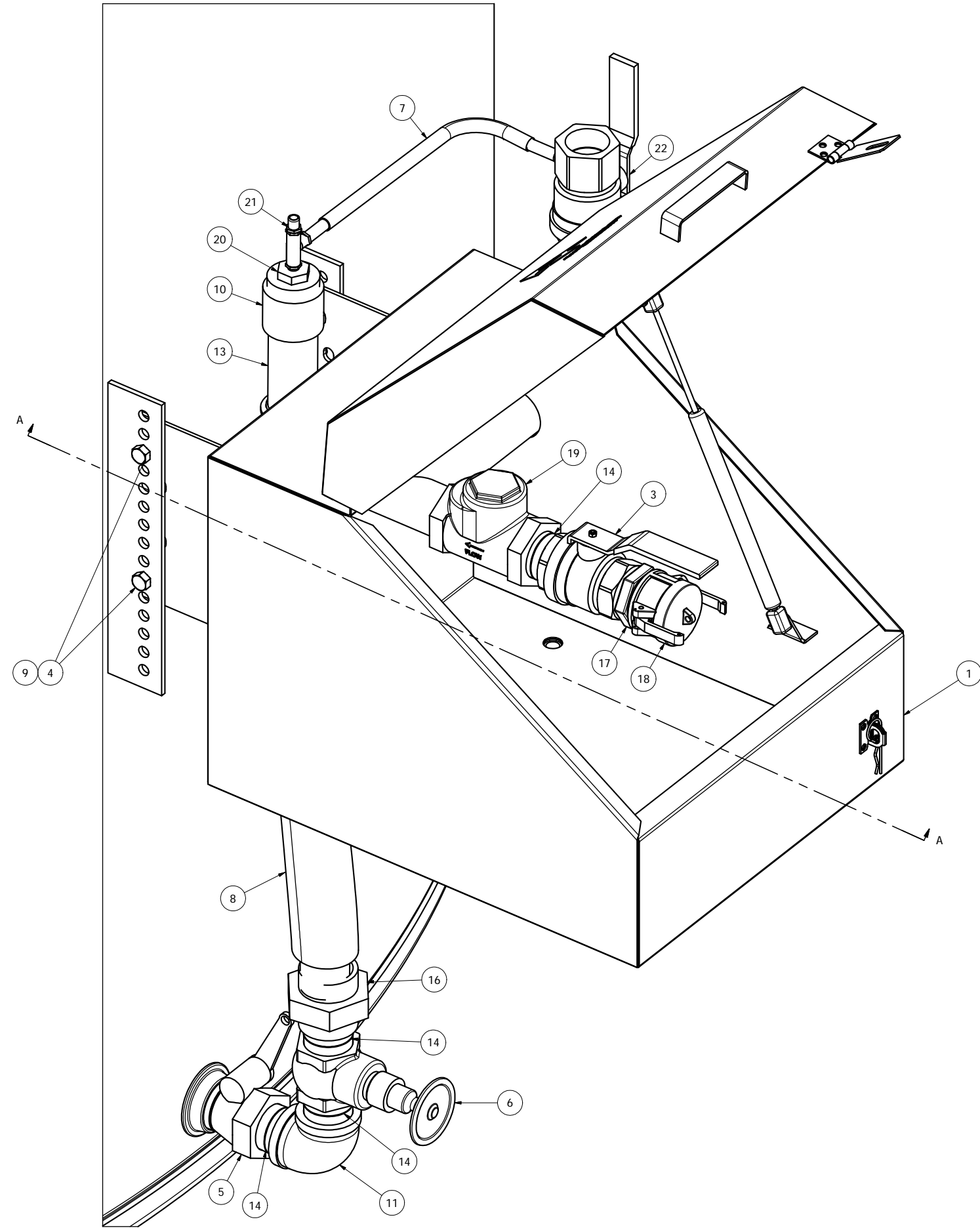


		PARTS LIST			
ITEM	S/L ITEM#	QTY	DESCRIPTION	MASS	NOTES
1	1505-0008	1	FillBox,1product,2,20wide,Brackets,WH00	82.609 lbmass	
2	TB000080	1	Ball Valve, Brass .50"	0.413 lbmass	
3	TB000085	1	Ball Valve, Brass 2"	3.500 lbmass	
4	TB000113	4	Bolt,HCS, .5-13x1.75,G5,Zinc	0.149 lbmass	
5	TB000392	1	Fire Valve Ductile, 2"x2" Mor#272	9.525 lbmass	
6	TB000483	1	Gate Valve, Brass 2"	5.100 lbmass	
7	TB000654	1	Hose, .25"x4" Fuel Line w/ Brass MxM Sw	1.483 lbmass	
8	TB000747	1	Hose, 2"x24" SS Flex MxM	47.731 lbmass	
9	TB001052	4	Nut,Hex, .5-13,G5,Zinc	0.043 lbmass	
10	TB001222	1	Coupling,Full,2.00,Merch,Thrd	1.216 lbmass	
11	TB001255	1	Elbow,Thrd,2.00x90d,150#	1.886 lbmass	
12	TB001333	1	PipeNipple,.50,Sch40,Close	0.076 lbmass	
13	TB001368	1	PipeNipple,2.00,Sch40,6	1.523 lbmass	
14	TB001369	4	PipeNipple,2.00,Sch40,Close	0.261 lbmass	
15	TB001455	1	Union,1.5,#150	2.264 lbmass	
16	TB001456	1	Union,2.00,150#	3.294 lbmass	
17	TB001616	1	Quick Coupler F,2,Alum.	0.690 lbmass	
18	TB001647	1	Quick Coupler V, 2" Alum. Dust Cap	1.633 lbmass	
19	TB001958	1	Valve,Swing Check,2.0 Mor#246A	8.617 lbmass	
20	TB002282	1	Pipe Bushing 2"x.25", Blk	1.100 lbmass	
21	TB002285	1	Valve,1/4",Kingston,PressureRel,25psi	0.238 lbmass	
22	TB002286	1	Ball Valve, Brass 2" w/ 1/4" Side Tap	3.500 lbmass	



SECTION A-A

DATE	REV	DESCRIPTION	ECN NO.	BY
1/21/2019	1	CHANGE TB002439 TO TB000747	DR 1253	JLK
3/24/2016	0	RELEASE	E2016-0091	JLK

<p>UNLESS OTHERWISE SPECIFIED:</p> <p>UNITS = INCHES</p> <p>TOLERANCE:</p> <p>LINEAR ±1/8"</p> <p>ANGULAR ±1/2"</p>	<p>4401 West Main Fargo, ND 58103 Phone: 701-282-2345 Fax: 701-282-5516 TrueNorthSteel.com</p>	<p>TrueNorthSteel</p>
	<p>DRAWN: JLK DATE: 2/17/2016</p> <p>CHECKED: TS DATE: 3/24/2016</p>	
<p>THIS DRAWING IS THE SOLE PROPERTY OF TRUENORTH STEEL INC. ANY COPIES/EDITS MADE WITHOUT THE WRITTEN CONSENT OF TRUENORTH STEEL, IS STRICTLY PROHIBITED.</p>		
		<p>SHEET 1 OF 1</p>