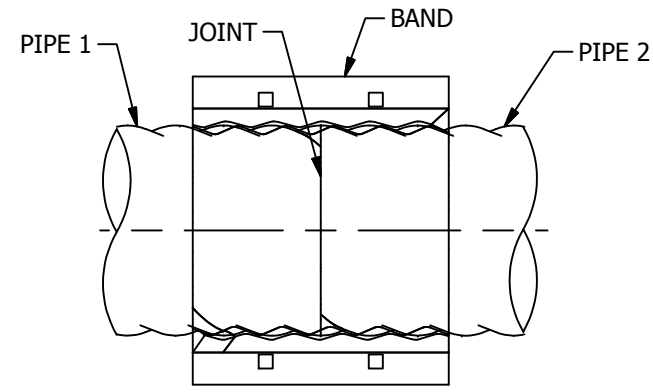
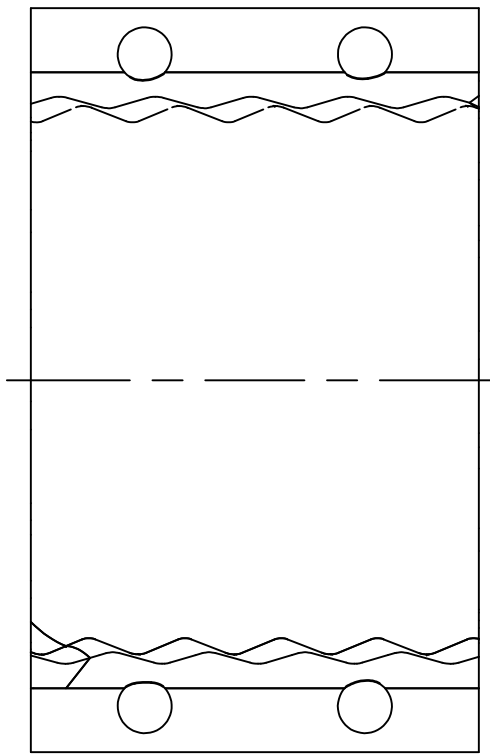


QC	LAYOUT	DIM. INSP.:	WELDER:	WELD INSP.:	COATING:	COAT. INSP.:	COMP. DATE:	HEAT #:
----	--------	-------------	---------	-------------	----------	--------------	-------------	---------

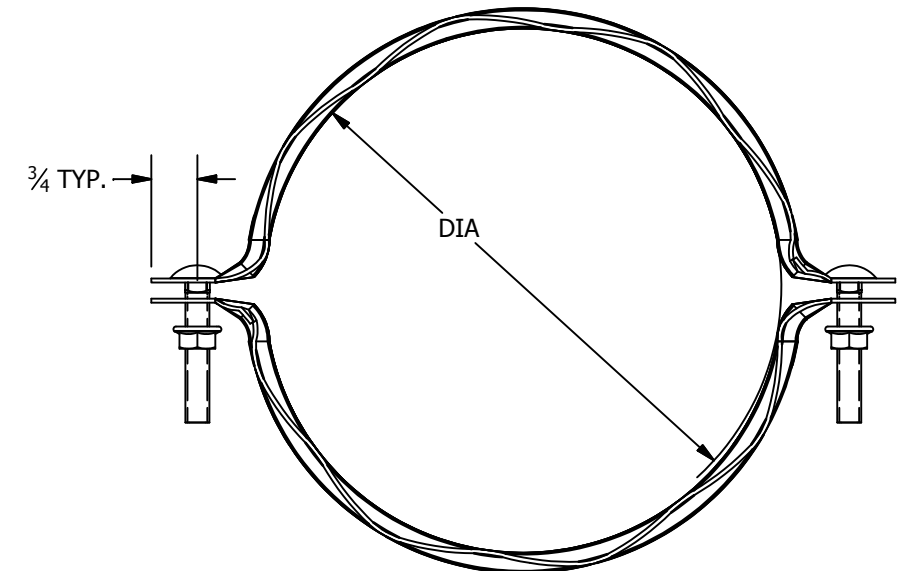
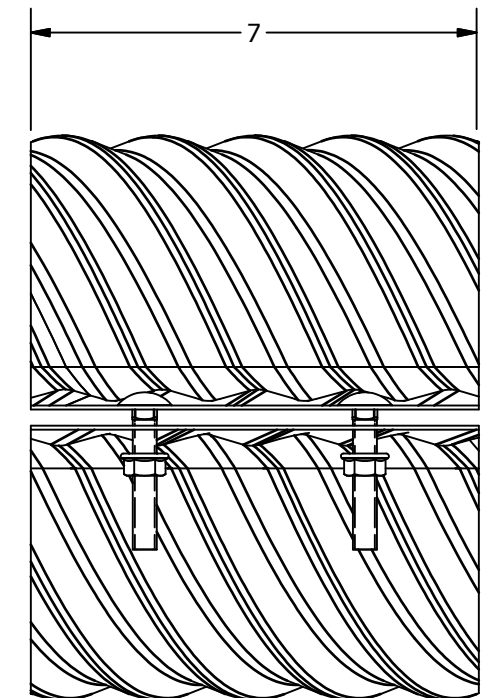
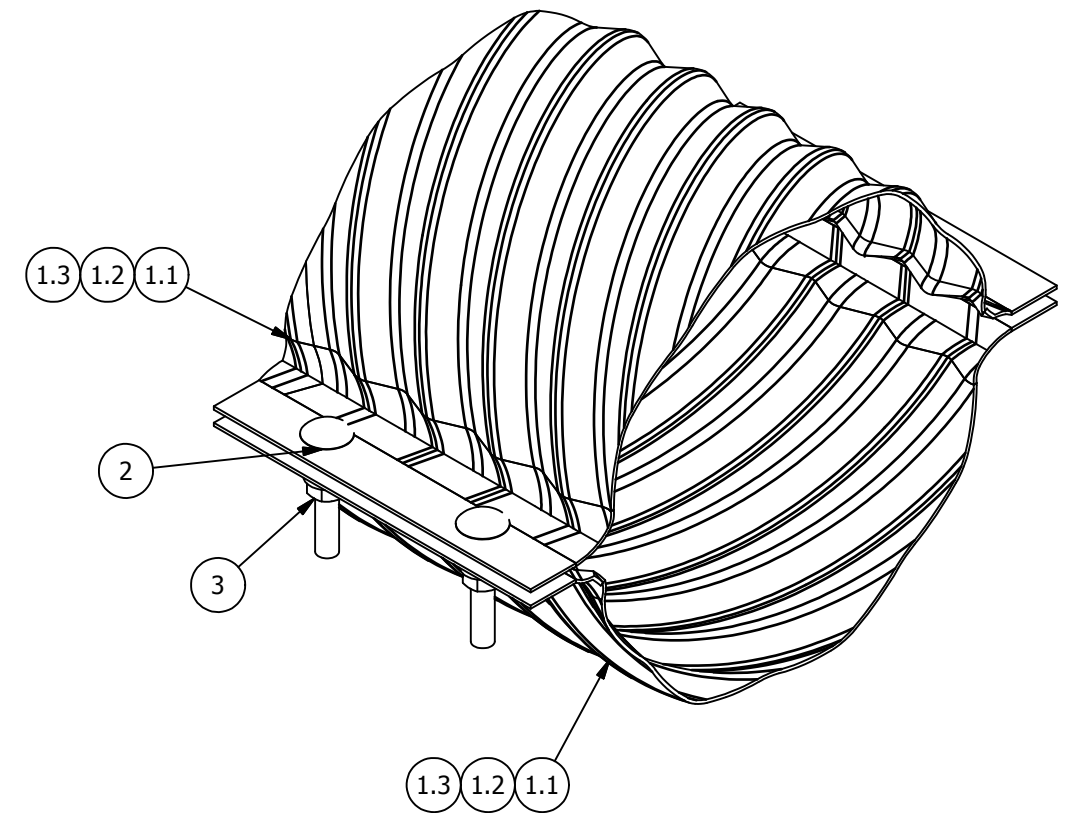
BILL OF MATERIAL

ASSEMBLY SL#	
SL ITEM #	Description
BG00616T07	Band Galv 6" 16 Ga 2 Pc Std 7" Wide
BG00816T07	Band Galv 8" 16 Ga 2 Pc Std 7" Wide
BG01016T07	Band Galv 10" 16 Ga 2 Pc Std 7" Wide

SL ITEM#	SHOP MARK	ITEM QTY	DESCRIPTION	REMARKS	WEIGHT/LBS.
BOLT.375X2.25	2	4	BoltCarriage,3/8"x2 1/4",A307,B633 Znc US		.09
NUT.375FL	3	4	Nut,Serrated Flanged 3/8-16,A563A,Znc,US		.02
SG16013X07-6in Blank	1.1	2	Band Galv 6" 16 Ga 2 Pc Std 7" HALF	FOR 6"	1.71
SG16016X07-8in Blank	1.2	2	Band Galv 8" 16 Ga 2 Pc Std 7" HALF	FOR 8"	2.07
SG16019X07-10in Blank	1.3	2	Band Galv 10" 16 Ga 2 Pc Std 7" HALF	FOR 10"	2.50



TYP. USE



JOB#	REV	DATE	DESCRIPTION	BY
DR-533	0	5/22/2018	RELEASED	DMA
DR-533	A.1	4/5/2018	FOR INTERNAL REVIEW	DMA
REVISIONS				

DRAWING IS NOT TO SCALE ALL DIMENSIONS ARE IN INCHES UNLESS OTHERWISE NOTED ALL WELDS MUST REPAIRED AFTER FABRICATION (PER ASTM 760) PIPE LENGTHS HAVE A TOLERANCE OF ± 2" PIPE DIAMETERS HAVE A TOLERANCE OF THE GREATER OF ± 1/2" or 1% ALL ANGLES HAVE A TOLERANCE OF ± 3°	TOLERANCES	CUSTOMER APPROVAL SIGNATURE
	± 1/4" UNLESS OTHERWISE NOTED	

THIS DESIGN IS PROPERTY OF TRUENORTH STEEL. DUPLICATION WITHOUT WRITTEN PERMISSIONS IS STRICTLY PROHIBITED.	
DESCRIPTION: Band Helical 6-8-10 16ga 2pc 7 Wide	
DRAWN BY: DMA	PART#: SEE ASM TABLE
DATE: 5/6/2013	WEIGHT: VARIES
CHECKED:	MATERIAL: STEEL GALV ASTM A929M
CHK DATE:	JOB# QTY: SHEET NO: 1 OF 1