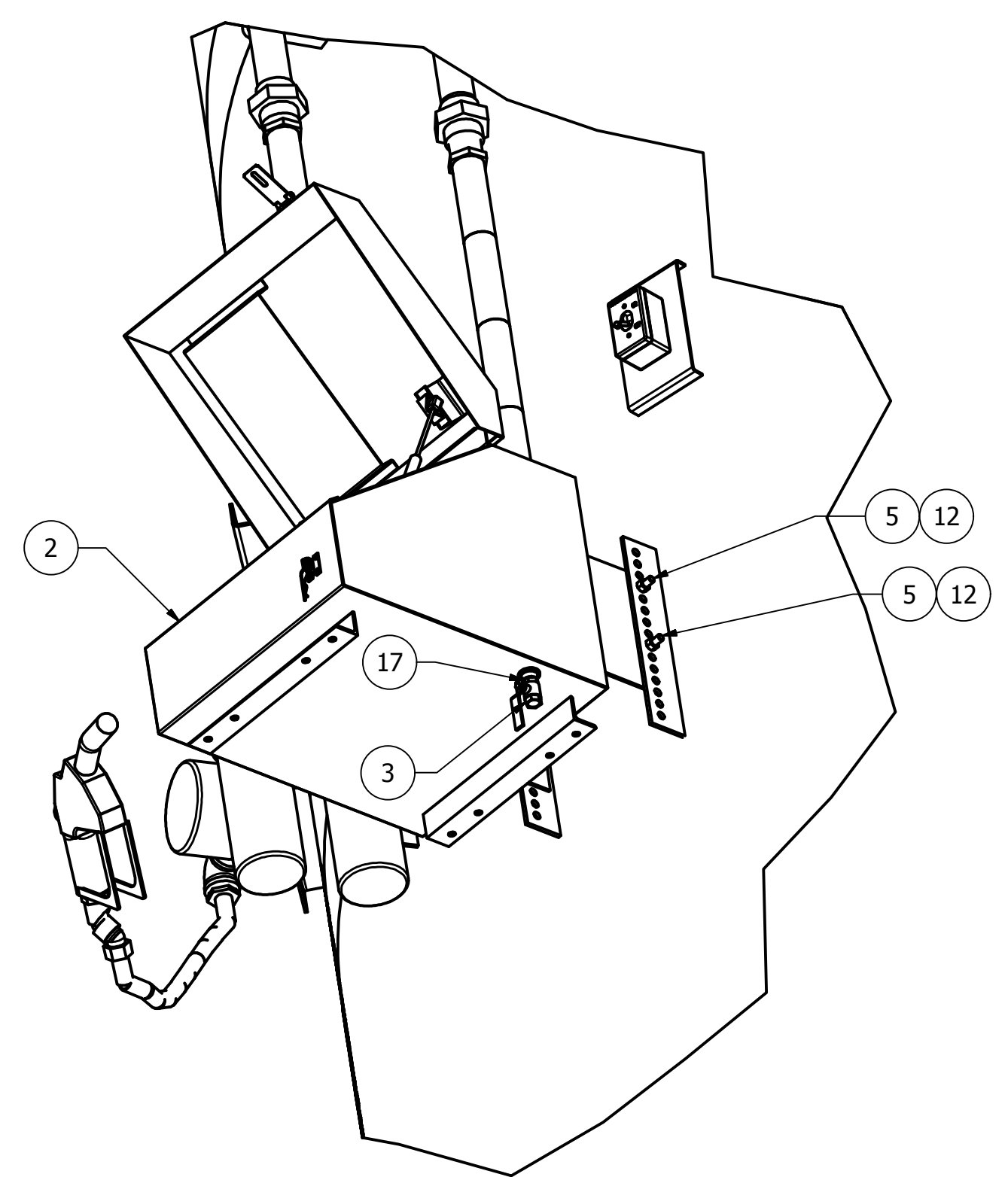
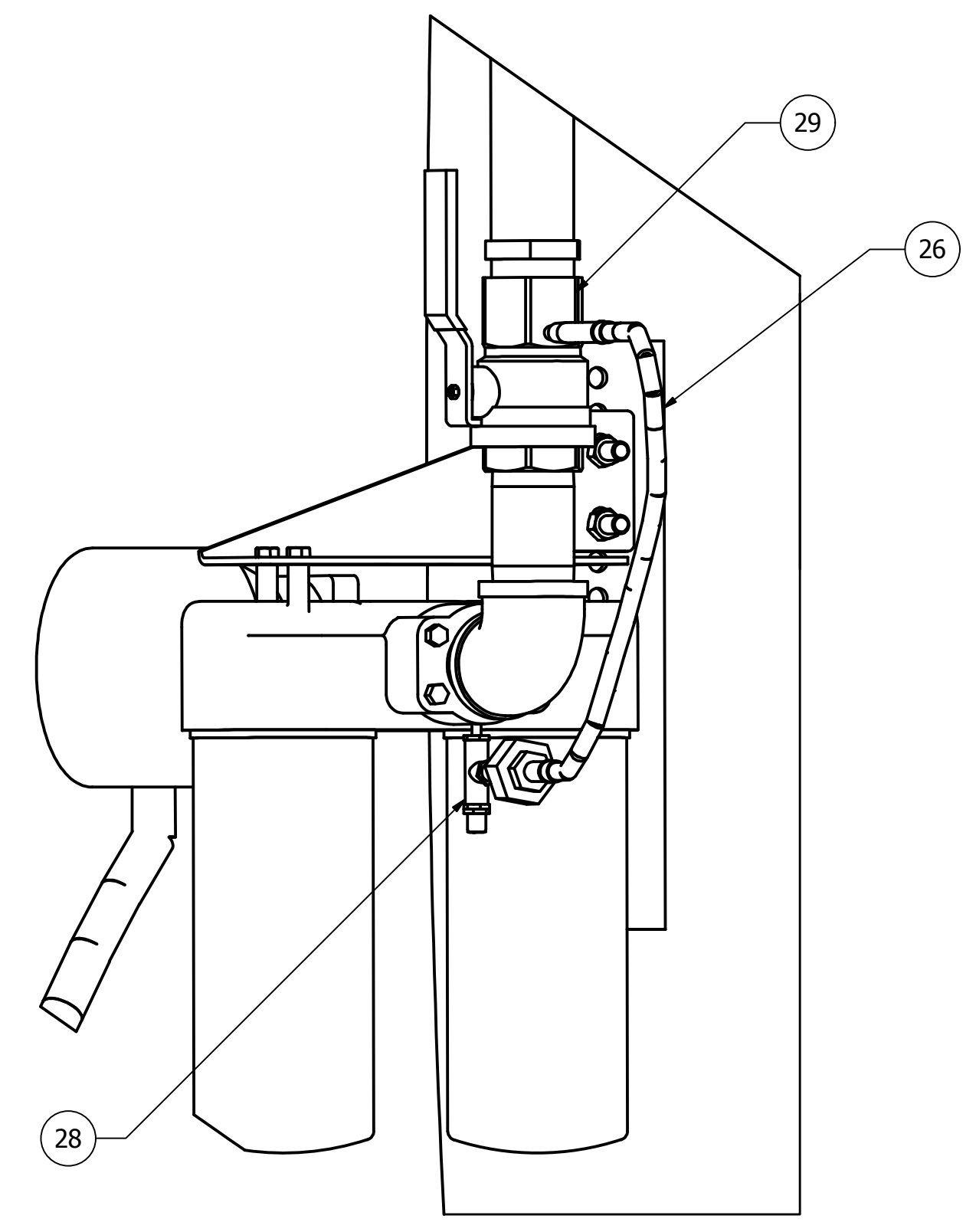


DETAIL B



DETAIL C
FILL BOX BOTTOM



SECTION D-D

PARTS LIST					
ITEM	S/L ITEM#	QTY	DESCRIPTION	MASS	NOTES
1	DIKB.375X1	4	Bolt,.375-16,1,Zinc,Hex,Gr5	0.052 lbmass	
2	DIKEFBSUB	1	Fill Box,SP,Vert.Tnk, W/Sub Pump,Brkts	82.065 lbmass	
3	TB000080	1	Ball Valve, Brass .50"	0.413 lbmass	
4	TB000085	1	Ball Valve, Brass 2"	3.500 lbmass	
5	TB000113	6	Bolt,Hex,.500x1.7500,13 UNC,Z5	0.149 lbmass	
6	TB002311	1	Filter Head,DbI Alum Ad. 2" w/1/4" Port	23.439 lbmass	
7	TB000376	2	Filter,10Micron,(51110P)	9.665 lbmass	
8	TB000527	1	Gauge,OPW200TG-ENG	10.656 lbmass	
9	TB000707	1	Hose,1.00x30' Softwall Curb Pump MxM	1.865 lbmass	
10	TB000749	2	Flexhose,2,48,SS,MxM	11.767 lbmass	
11	TB001032	1	Nozzle,1,Auto,w/green ins.OPW7H	3.350 lbmass	
12	TB001052	6	Nut,.500,13 Z5	0.043 lbmass	
13	TB001153	1	Bushing,Hex,1x1.5,150#	0.717 lbmass	
14	TB001166	1	Bushing,Hex,2x1.5,150#	0.820 lbmass	
15	TB001251	1	Elbow,1.5x90,150#,Thrd	1.220 lbmass	
16	TB001255	1	Elbow,2.00x90,150#,Thrd	1.886 lbmass	
17	TB001333	1	Pipe,.500,Sch40,1.063,TBE	0.075 lbmass	
18	TB001362	2	Pipe,1.5,Sch40,1.88,TBE	0.373 lbmass	
19	TB001367	2	Pipe,2.00,Sch40,4,TBE	0.996 lbmass	
20	TB001369	3	Pipe,2.00,Sch40,1.900,TBE	0.252 lbmass	
21	TB001456	2	Union,2.00,150#	3.294 lbmass	
22	TB001616	1	Quick Coupler F,2,Alum.	0.154 lbmass	
23	TB001647	1	Quick Coupler V, 2" Alum. Dust Cap	0.096 lbmass	
24	TB001868	1	Swivel, Richards 9-1010 1"Fx1"M	1.200 lbmass	
25	TB001958	1	Valve,Check,2,Mor#246A	9.944 lbmass	
26	TB002283	1	Hose,.25x24,SS Flex MxSwivel	1.570 lbmass	
28	TB002285	1	Valve,1/4" Kingston Pressure Rel 25psi	0.253 lbmass	
29	TB002286	1	Ball Valve, Brass 2" w/ 1/4" Side Tap	3.500 lbmass	
30	TB002318	1	Fill-Rite,6-60GPM,150PSI,1.5,Meter	60.083 lbmass	
31	TC001037	1	Bracket,Filter,.188x4x13	3.912 lbmass	

DATE	REV	DESCRIPTION	ECN NO.	BY
3/15/2016	0	REPLACE TB000357 WITH TB002311/RELEASE	E2016-0147	JLK
3/15/2016	A	APPROVAL	E2016-0147	JLK

<p>UNLESS OTHERWISE SPECIFIED: UNITS = INCHES</p>	<p>4401 West Main Fargo, ND 58103 Phone: 701-282-2345 Fax: 701-282-5516 TrueNorthSteel.com</p>		<p>TrueNorthSteel</p>
	<p>TOLERANCE: LINEAR: ±1/8" ANGULAR: ±1/2"</p>	<p>DRAWN: JLK CHECKED: TWS DATE: 3/15/2016</p>	