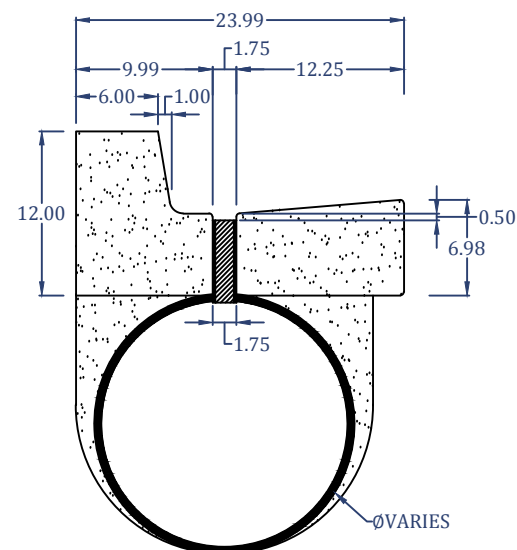
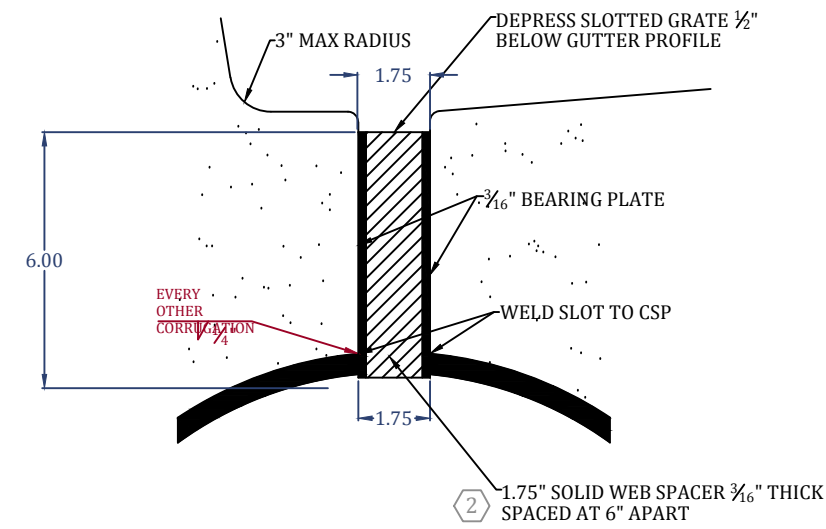


NOTE: IF LAST REBAR ENDS UP WITHIN LAST 1 FT OF PIPE THEN SPACING FROM CENTER POINT OF PIPE IS OK, IF NOT SPACING MUST START 1 FT LEFT OR RIGHT OF CENTER POINT



FRONT VIEW

NOTE: METHOD OF CONSTRUCTION PER CONTRACTOR



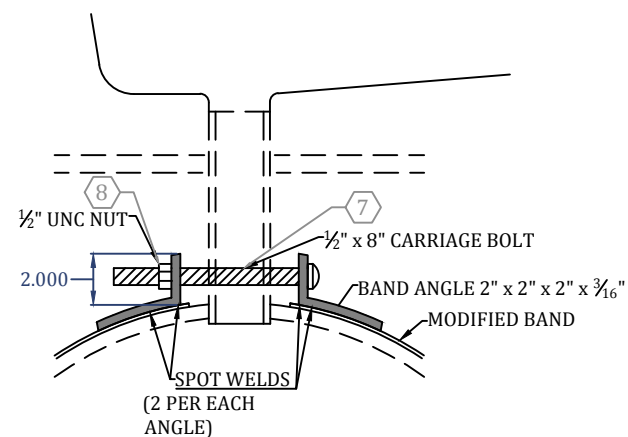
RECTANGULAR DRAIN FORM

DETAIL

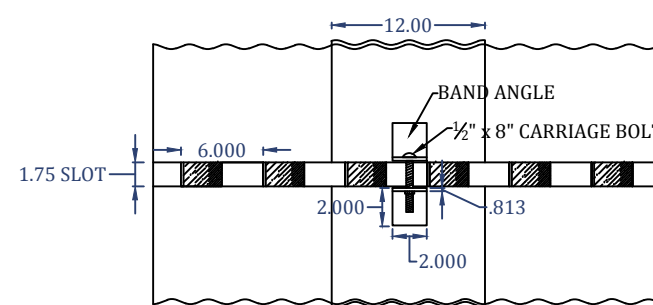
NOTE: WHEN NOTCHING PIPE FOR SLOTTED DRAIN FORMS, DO NOT CUT LOCKSEAM, LAY GRATE OVER PIPE AND MARK OUT LOCKSEAM SPOTS, NOTCH GRATE AT MARKS, TACK WELD GRATE TO LOCKSEAMS.

NOTE: DOT SPECS ALLOW FOR 1/2" VERTICAL DEFLECTION AND 5/8" HORIZONTAL DEFLECTION, JFC ALLOWS FOR ONLY 1/4" VERTICAL DEFLECTION AND 1/4" HORIZONTAL DEFLECTION

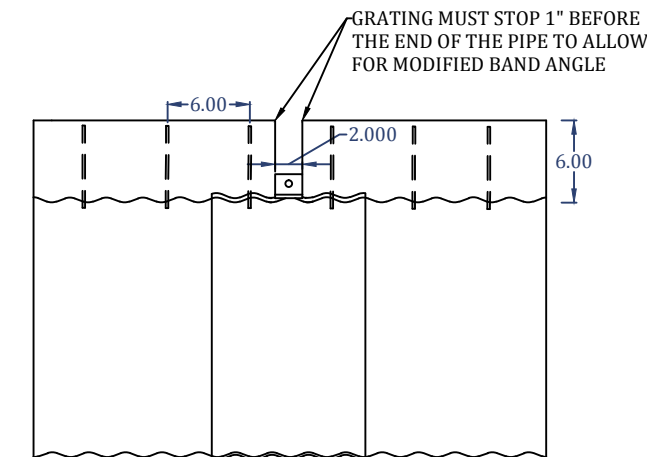
NO.	QTY.	PART NO.	DESC.	MATERIAL
<b>END CAP</b>				
9	1	MG0_EC	END CAP	ØVAR." x 1/4" PLATE ASTM A36
<b>BAND</b>				
8	1	NUT.5FL	NUT	1/2" UNC FLANGE NUT
7	1	BOLT08	BOLT	1/2" x 8" UNC CARRIAGE BOLT
6	1	VARIES	MODIFIED BAND	12" WIDE MODIFIED BAND
<b>ELBOW</b>				
5	1	VARIES	ELBOW	ØVAR." x 3" VARIOUS RIVETED PIPE
<b>PIPE</b>				
4	-	BOLT.5X3.5	BOLT	1/2" x 3.5" UNC BOLT
3	-	NUT.5	NUT	1/2" UNC NUT
2	-	MG006SDFR	SLOTTED DRAIN FORM	RECTANGULAR DRAIN FORM (1FT FORM/1FT PIPE)
1	1	VARIES	PIPE	ØVAR." x VAR' VARIOUS CSP



BAND ANGLE DETAIL



TOP VIEW



SIDE VIEW

MODIFIED COUPLING BAND DETAIL

NO.	REVISION	DATE	DESCRIPTION
3	REVISED LAYOUT ECN-157	01-26-12	DRAWING IS NOT TO SCALE ALL DIMENSIONS ARE IN INCHES UNLESS OTHERWISE NOTED
2	INITIAL RELEASE ECN-104	09-01-11	ALL WELDS MUST BE REPAIRED AFTER FABRICATION (PER ASTM 760)
1	RELEASED FOR APPROVAL	09-01-11	PIPE LENGTHS HAVE A TOLERANCE OF ± 2"

TOLERANCES	CUSTOMER APPROVAL SIGNATURE
X.X ± 0.5"	
X.XX ± 0.25"	
X.XXX ± 0.13"	

DESCRIPTION: SLOTTED DRAIN PIPE AND BAND	DATE	PART NO.
DRAWN BY: C. HOMAN	SEPT 1, 2011	SEE ABOVE
SHEET NO: 1 OF 1		MATERIAL: SEE ABOVE

THIS DESIGN IS PROPERTY OF TRUENORTH STEEL. DUPLICATION WITHOUT WRITTEN PERMISSIONS IS STRICTLY PROHIBITED.

