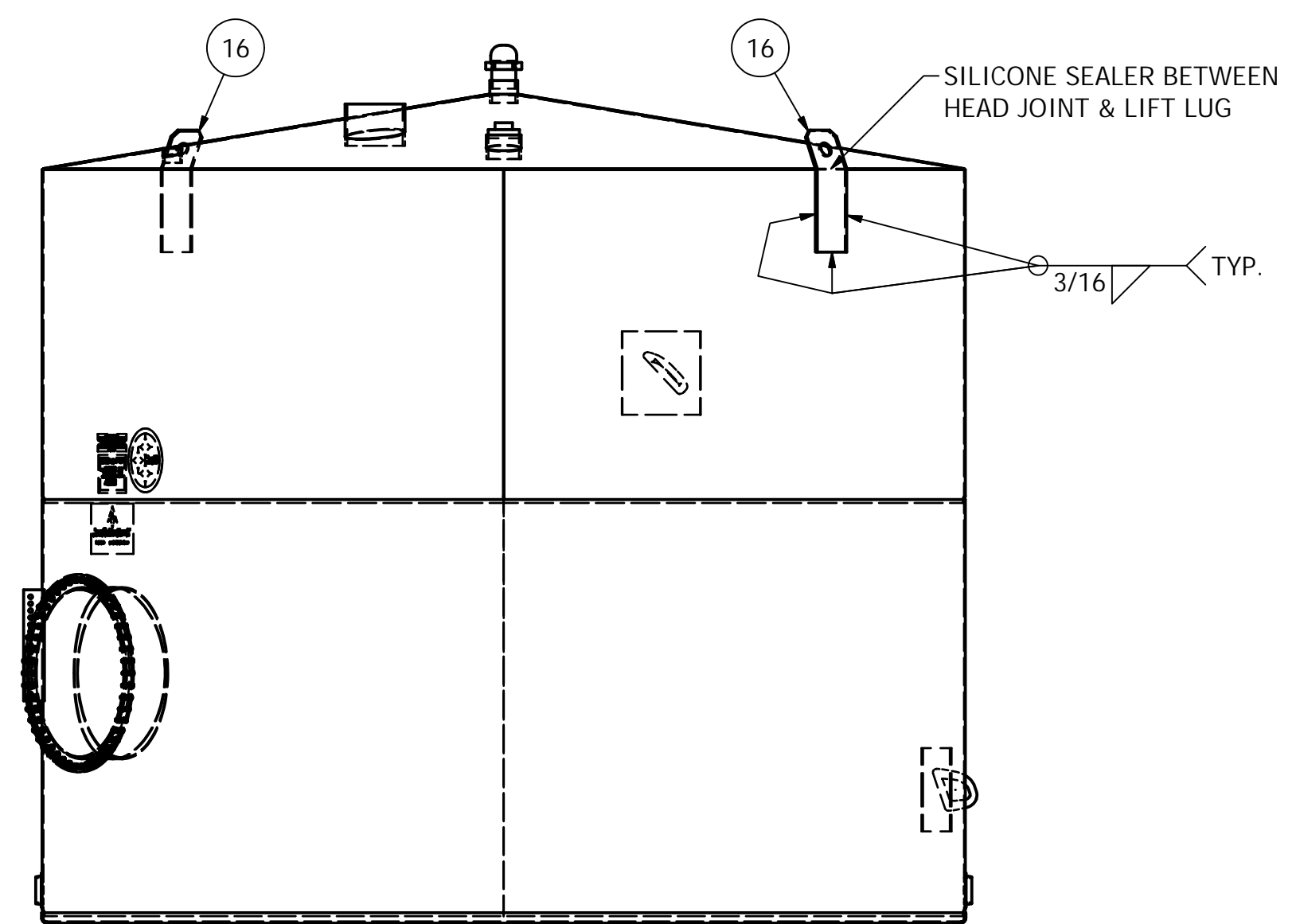
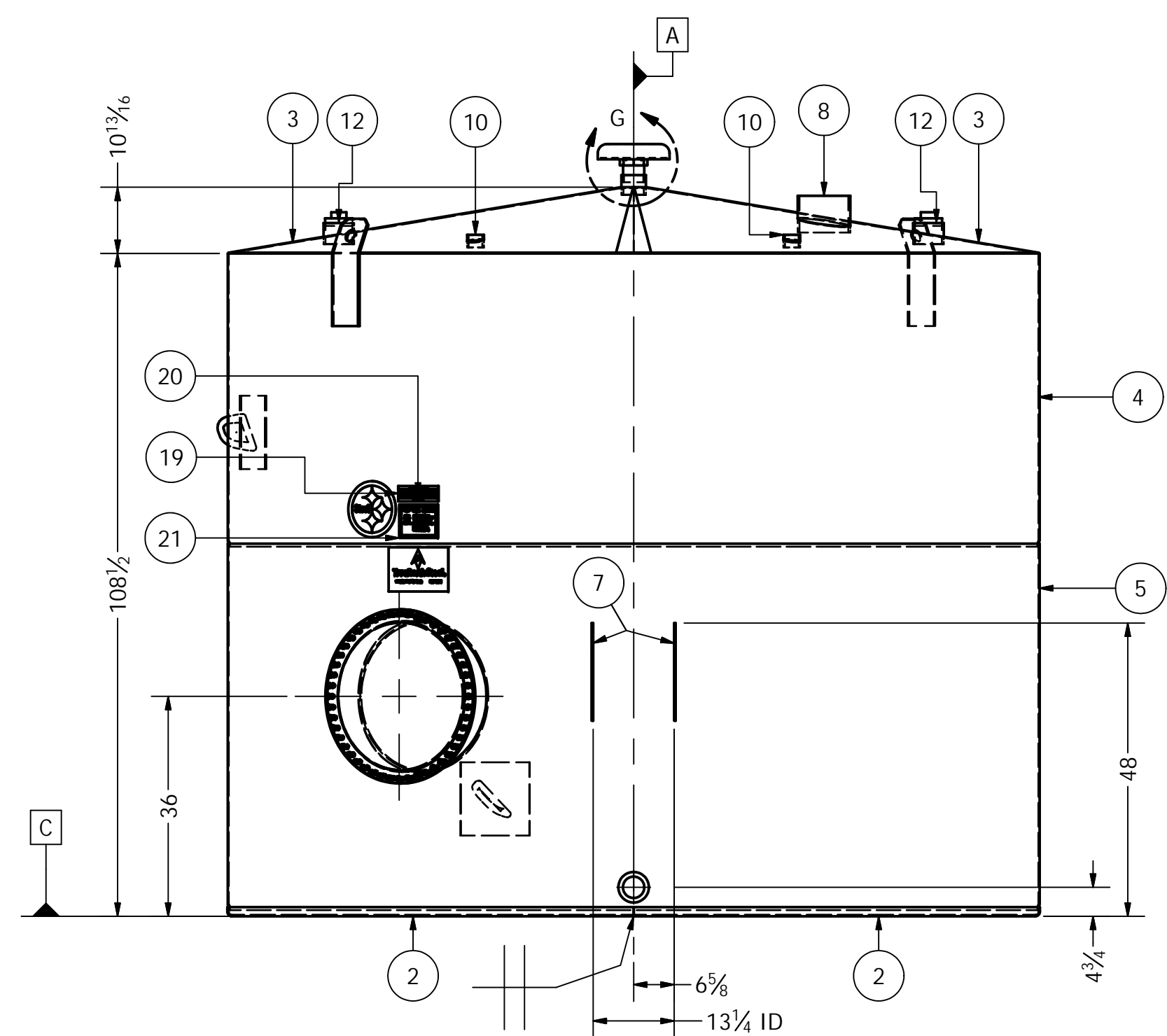


PARTS LIST					
ITEM	SL ITEM#	ITEM QTY	DESCRIPTION	MASS	NOTES
1	2000-0005	1	Manway,Kit,24.0,DP,7n,.25f,.375c,BunaN	125.034 lbmass	
2	3000-0049	2	Head,Half,.250,132.5id,1.25flng	507.65500 lbmass	
3	3000-0050	2	Head,Half,.135,132.5id,Coned,OL,2.0ctr	270.306 lbmass	
4	3000-0051	1	Shell,.188,132.5id,48,360d,Ofst1	1067.587 lbmass	
5	3000-0052	1	Shell,.188,132.5id,60,360d,Ofst1	1334.255 lbmass	
6	3000-0053	2	Plate,Bent,.250in,12x12,66.437ir	10.229 lbmass	
7	TC000283	2	Bracket,DW Fill Box,.25x3x16	3.139 lbmass	
8	TB001384	1	Pipe,8,Sch40,6,TOE	14.292 lbmass	
9	TB001373	1	Pipe,3,Sch40,4,TBE	0.214 lbmass	
10	TB001222	2	Coupling,Full,2.00,Merch,Thrd	1.216 lbmass	
11	TB001225	1	Coupling,Full,3.00,Merch,Thrd	3.568 lbmass	
12	TB001227	2	Coupling,Full,4.00,Merch,Thrd	4.381 lbmass	
13	TB002024	2	Weld Flange,Threaded,3,BLK	1.210 lbmass	
14	TB001402	2	Plug,4.0,SqHd,150#,Thrd	7.344 lbmass	
15	TB000904	2	Lift Lug,Large,16500#	5.186 lbmass	
16	TC000211	2	Lift Lug,Top	11.051 lbmass	
17	TB001979	1	Vent,Double Outlet,3.00,Thrd	0.140 lbmass	
18	TB000220	1	Decal,10" White TrueNorth Steel	0.017 lbmass	
19	TB000817	1	Holder,Brass Label,Fargo	0.275 lbmass	3950-0036, HURON
20	TB000821	1	Label,Emergency Relief,Brass,SW	0.035 lbmass	
21	TB000813	1	Label,SwRI Above Ground Storage Tank	0.005 lbmass	
22	3950-0008	1	Label,Steel Logo	0.059 lbmass	



DATE	REV	DESCRIPTION	ECN NO.	BY
1/15/2016	3	ADD PLUGS	E2016-0021	JLK
4/9/2015	2	STANDARDIZED MANWAY DETAILS		DCLAUDE
2/3/2015	1	ADDED FILL BOX BRACKETS	E2015-0001	DCLAUDE
12/30/2014	0	RELEASE		DCLAUDE

NOTES:
 1) FINISH:
 EXTERIOR - PRIME AND WHITE
 INTERIOR - NONE
 2) VENT CAPACITY:
 TOTAL VENTING CAPACITY-270,609.01 (ft³/hr)
 3) BUILD & TESTING:
 THIS TANK SHALL BE BUILT & TESTED IN ACCORDANCE WITH STI-F081 STANDARD FOR ABOVE GROUND TANKS

<p>UNLESS OTHERWISE SPECIFIED: UNITS = INCHES TOLERANCE: LINEAR ±1/8" ANGULAR ±1/2"</p>	DRAWN: DCLAUDE CHECKED: DATE	DATE: 10/29/2014	4401 West Main Fargo, ND 58103 Phone: 701-282-2345 Fax: 701-282-5516 TrueNorthSteel.com	<p>PART#: 1003-0003 DESCRIPTION: Tank,V,6300,132x108,F081,Flat,0100 WEIGHT: 4157.427 lbmass SCALE: DO NOT SCALE DRAWING</p>
	THIS DRAWING IS THE SOLE PROPERTY OF TRUENORTH STEEL INC. ANY COPIES/EDITS MADE WITHOUT THE WRITTEN CONSENT OF TRUENORTH STEEL, IS STRICTLY PROHIBITED.		SHEET 1 OF 1	