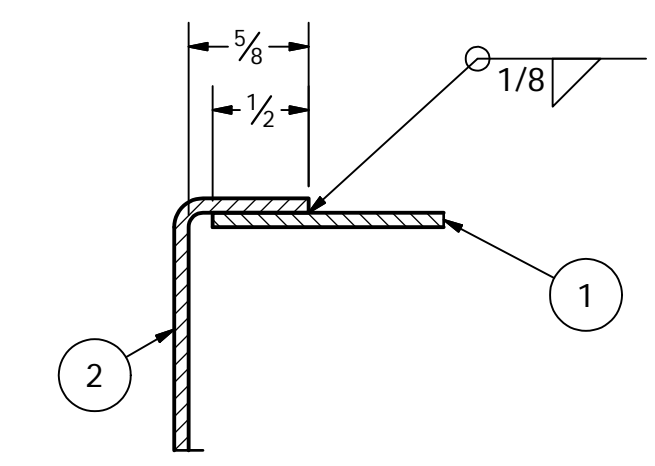
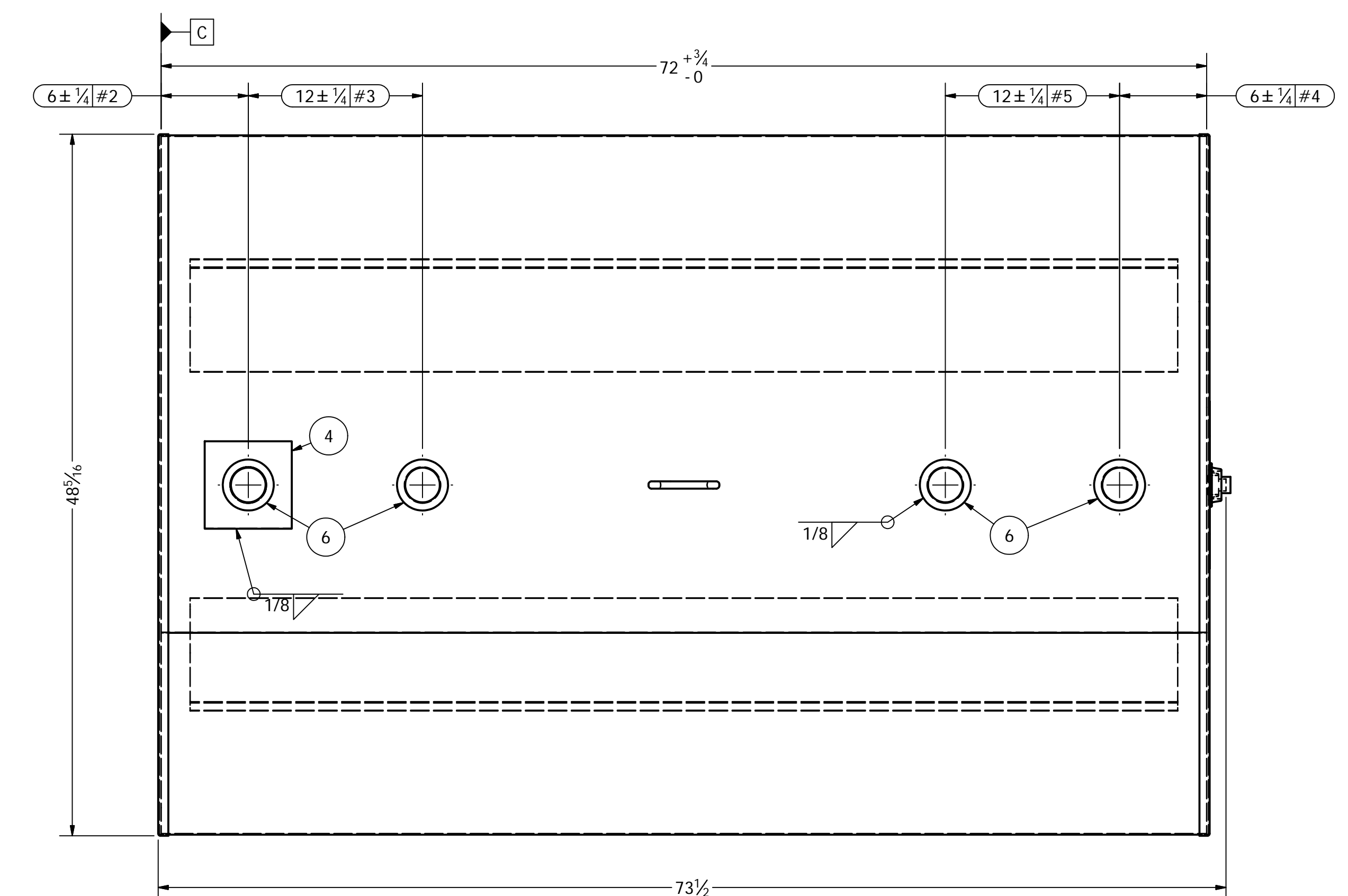
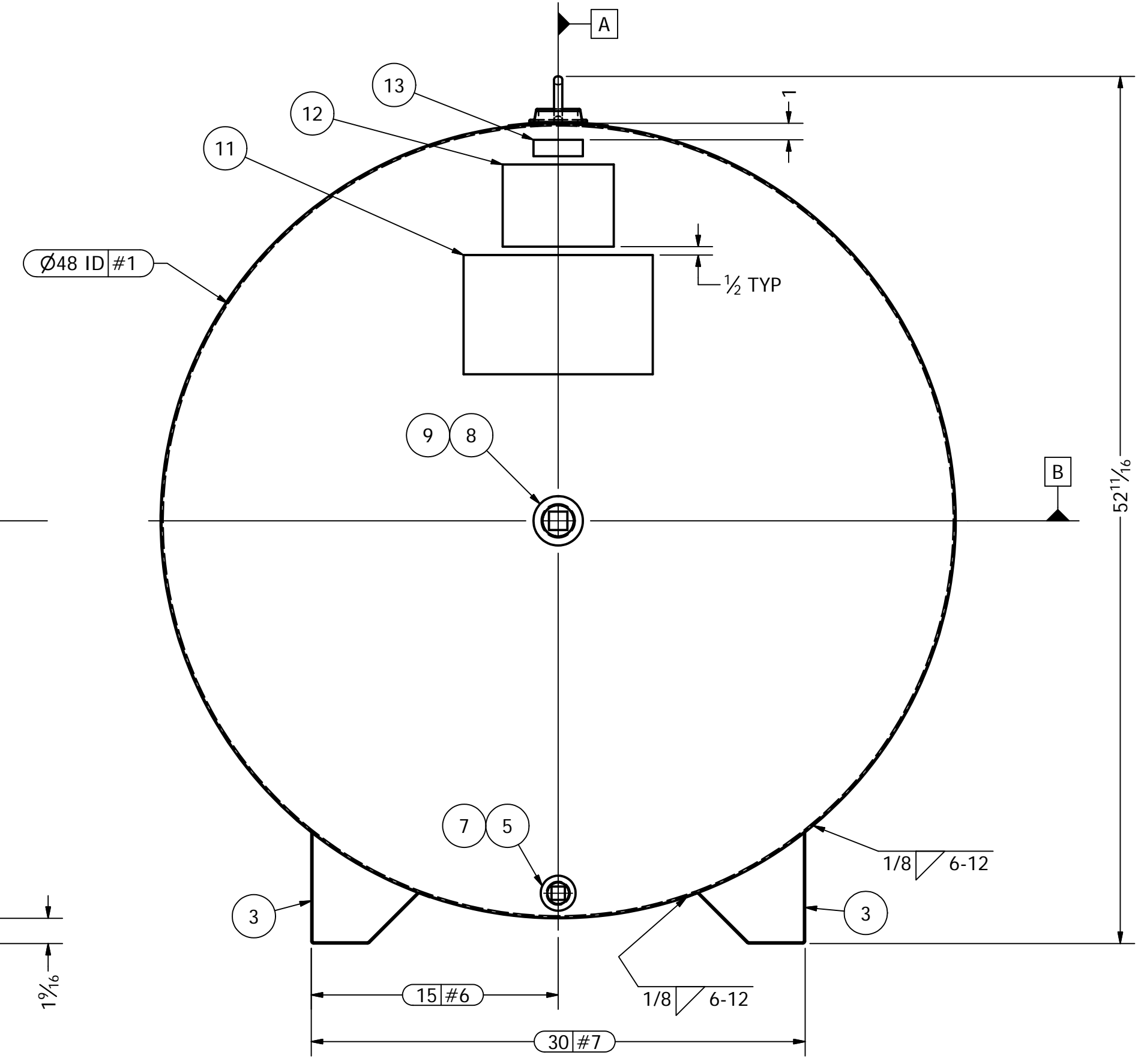
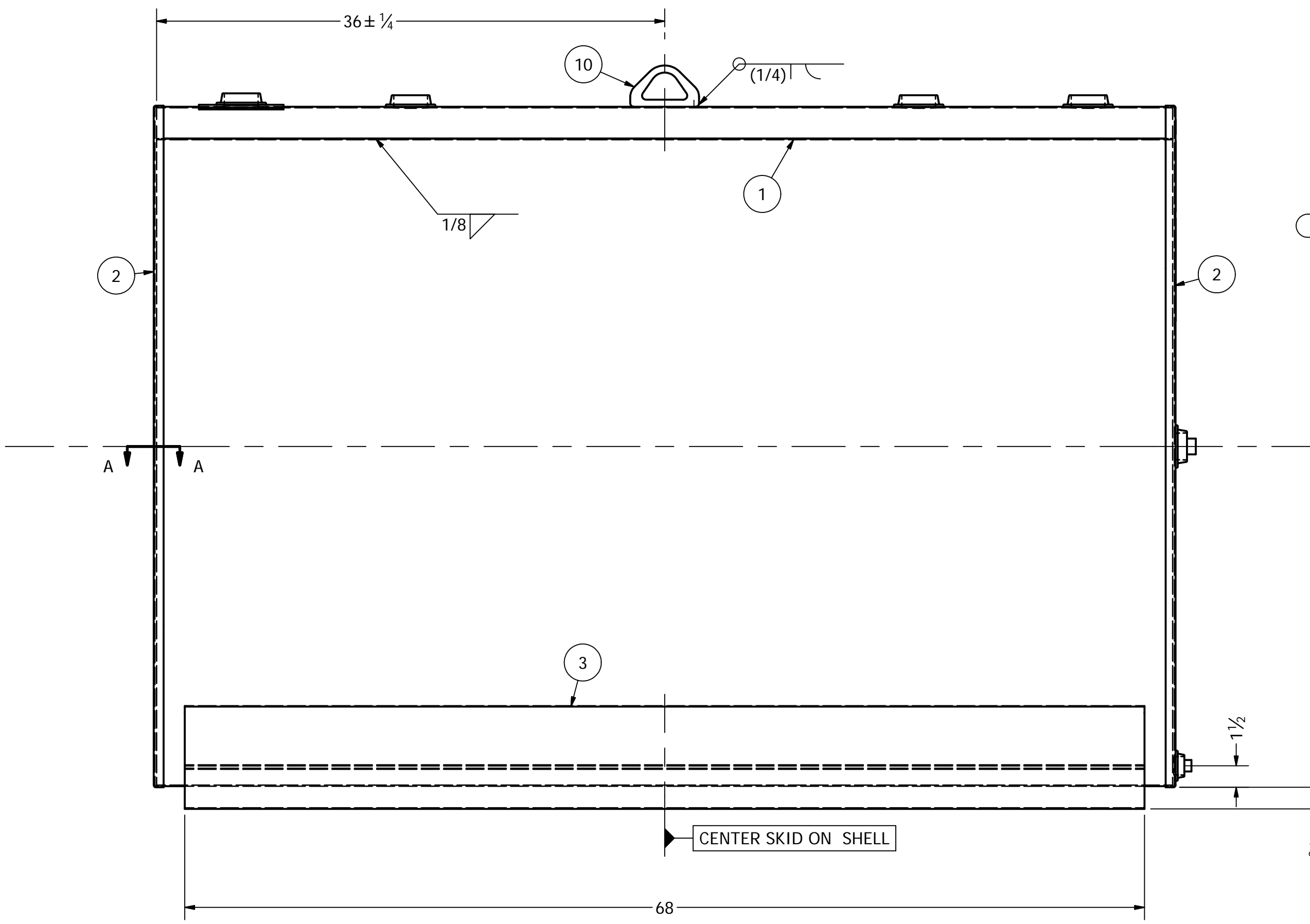


PARTS LIST					
ITEM	SL ITEM#	QTY	DESCRIPTION	MASS	NOTES
1	3000-0003	1	Shell,.075,48id,72,360d	231.295 lbmass	
2	3000-0004	2	Head,Circle,.075,48,150d,.625flng	40.830 lbmass	
3	3000-0005	2	Skid,SSP48,.075,68,30sp	22.953 lbmass	
4	3000-0010	1	Plate,Bent,.135,6x6,24,188ir,2.5Hole	1.194 lbmass	
5	TB002015	1	Weld Flange,Threaded,1, BLK	0.190 lbmass	
6	TB002022	4	Weld Flange,Threaded,2,BLK	0.534 lbmass	
7	TB002170	1	Pipe Plug,1,Square Head,BLK	0.378 lbmass	
8	TB002019	1	Weld Flange,Threaded,1.5,BLK	0.416 lbmass	
9	TB001394	1	Pipe Plug,1.5,Square Head,BLK	0.866 lbmass	
10	TB000905	1	Lift Lug,Small,6800#	0.806 lbmass	
11	TB000220	1	Decal,TrueNorth Steel,White	0.016 lbmass	
12	TB000250	1	Label,Warning Integral Steel, Yellow	0.007 lbmass	
13	3950-0003	1	Label,Serial Number,1x3,Non-STI	0.013 lbmass	



SECTION A-A



NOTES:
 1) FINISH:
 EXTERIOR - PRIME GREY, PAINT WHITE W/FAST DRYING ENAMEL
 INTERIOR - NO COATING

DATE	REV	DESCRIPTION	ECN NO.	REV BY
5/2/2015	3	UPDATED SKID PROFILE AND SPREAD	E2015-0068	TWS
4/2/2015	2	CHANGE DRAIN FITTING LOCATION	E2015-0033	JLK
3/3/2015	1	TORANCES AND INSPECTION DIMS		Tstoll
12/29/2014	0	RELEASED		Tstoll

	4401 West Main Fargo, ND 58103 Phone: 701-282-2345 Fax: 701-282-5516 TrueNorthSteel.com		
	UNLESS OTHERWISE SPECIFIED: UNITS = INCHES TOLERANCE: LINEAR ±1/8" ANGULAR ±1/2"	DRAWN: Tstoll CHECKED: DATE DATE: 12/29/2014	