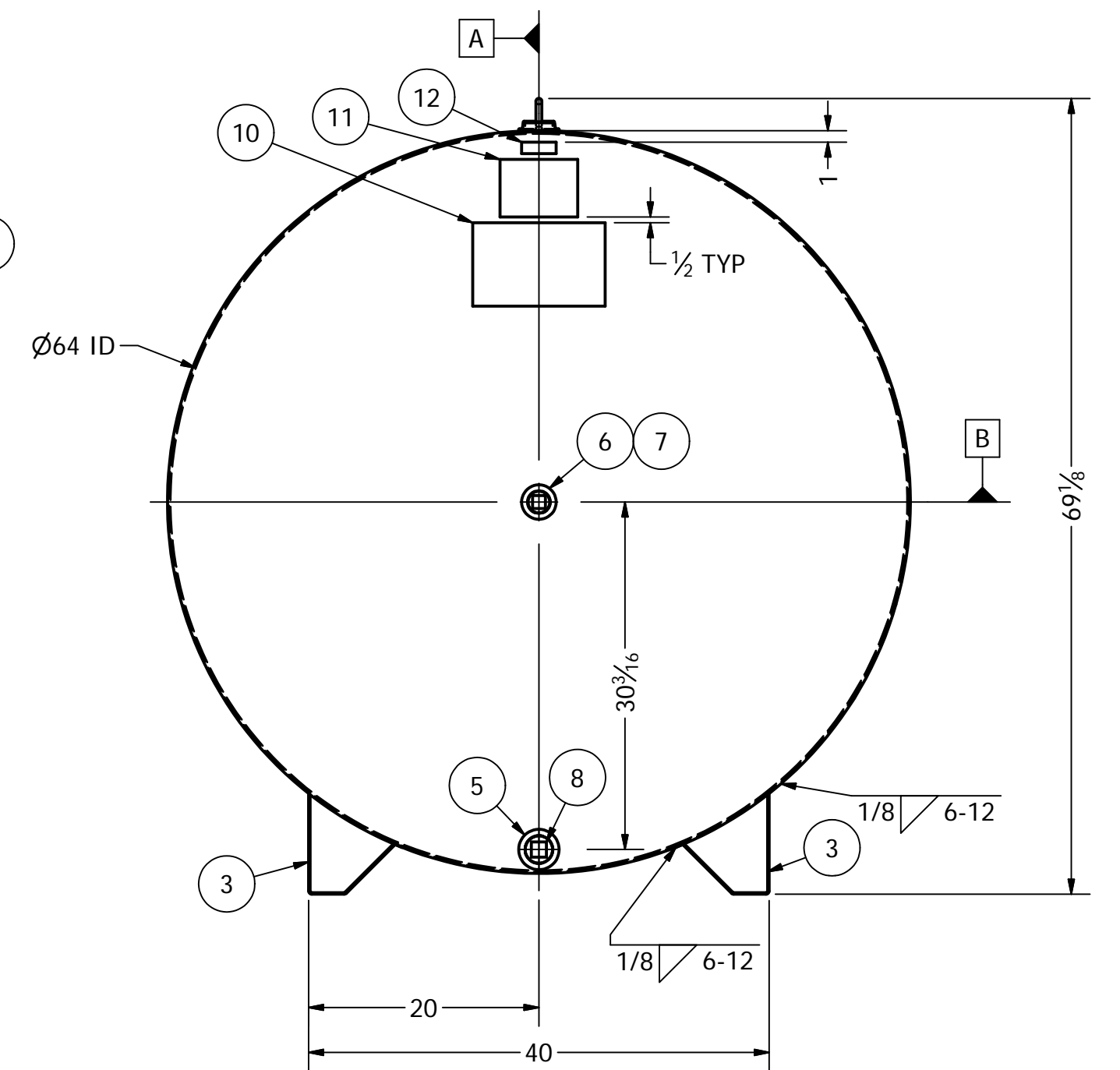
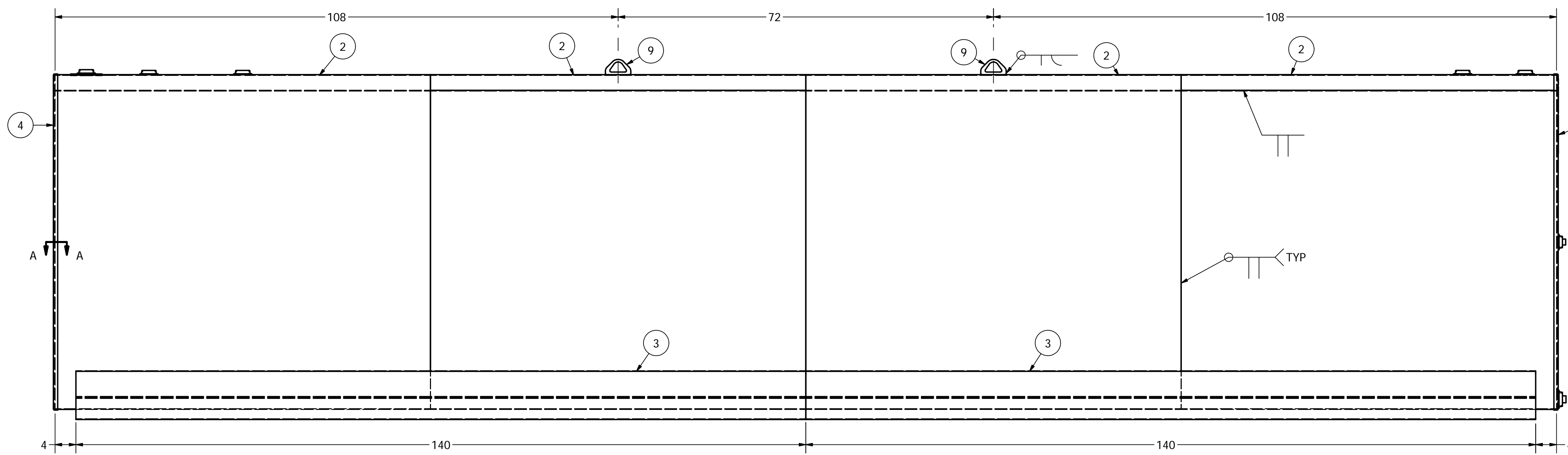
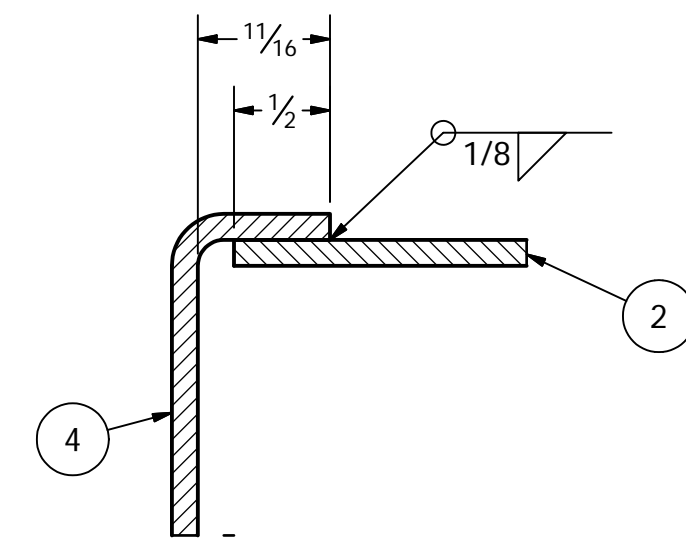
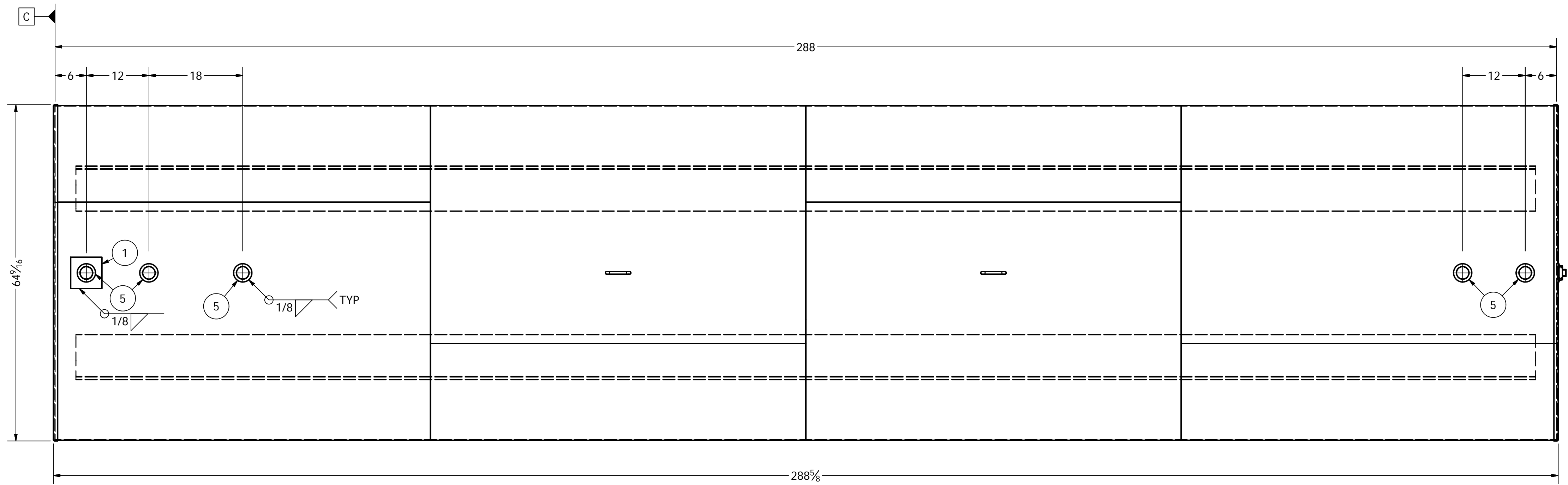


QC	LAYOUT	DIM. INSP.	WELDER	WELD INSP.	COATING	COAT. INSP.	COMP. DATE	HEAT #
----	--------	------------	--------	------------	---------	-------------	------------	--------

PARTS LIST						
ITEM	SL ITEM#	QTY	DESCRIPTION	MASS	NOTES	
1	3000-0010	1	Plate, Bent, .135, 6x6, 24.188ir, 2.5Hole	1.1937 lbmass		
2	3000-0012	4	Shell, .135, 64id, 72, 360d	555.4118 lbmass		
3	3000-0013	4	Skid, SSP64, .135, 140, 40sp, ST1	102.9651 lbmass		
4	3000-0015	2	Head, Circle, .135, 64.270id, .625flng	129.8473 lbmass		
5	TB002022	6	Weld Flange, Threaded, 2, BLK	.5342 lbmass		
6	TB002019	1	Weld Flange, Threaded, 1.5, BLK	.4165 lbmass		
7	TB001394	1	Pipe Plug, 1.5, Square Head, BLK	.8657 lbmass		
8	TB001395	1	Plug, 2.0, SqHd, 150#, Thrd	1.435 lbmass		
9	TB000905	2	Lift Lug, Small, 6800#	.8064 lbmass		
10	TB000220	1	Decal, TrueNorth Steel, White	.0161 lbmass		
11	TB000250	1	Label, Warning Integral Steel, Yellow	.0065 lbmass		
12	3950-0003	1	Label, Serial Number, 1x3, Non-ST1	.0128 lbmass		



NOTES:
 1) FINISH:
 EXTERIOR - PRIME GREY, PAINT WHITE W/FAST DRYING ENAMEL
 INTERIOR - NO COATING

DATE	REV	DESCRIPTION	ECN NO.	REV BY
6/27/2015	2	UPDATE SKID PROFILE	E2015-0068	TWS
1/5/2015	1	CHANGE TO 2" DRAIN		Tstoll
12/30/2014	0	RELEASED		Tstoll

	4401 West Main Fargo, ND 58103 Phone: 701-282-2345 Fax: 701-282-5516 TrueNorthSteel.com		
	UNLESS OTHERWISE SPECIFIED: UNITS = INCHES TOLERANCE: LINEAR ±1/8" ANGULAR ±1/2"	DRAWN: Tstoll CHECKED: DATE DATE: 12/30/2014	