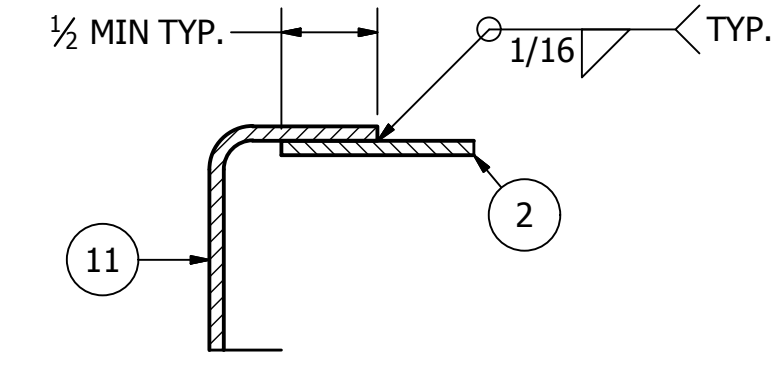
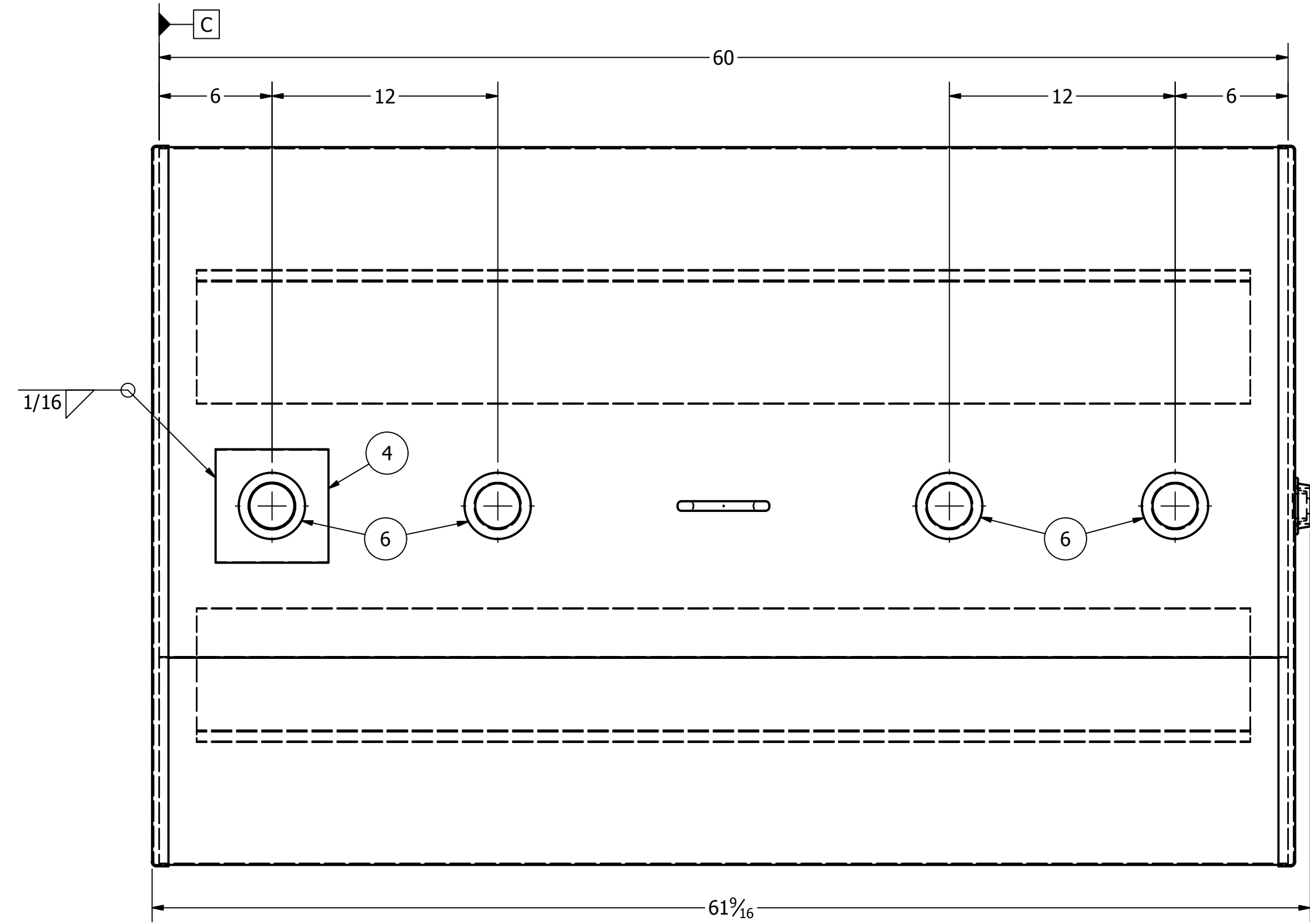
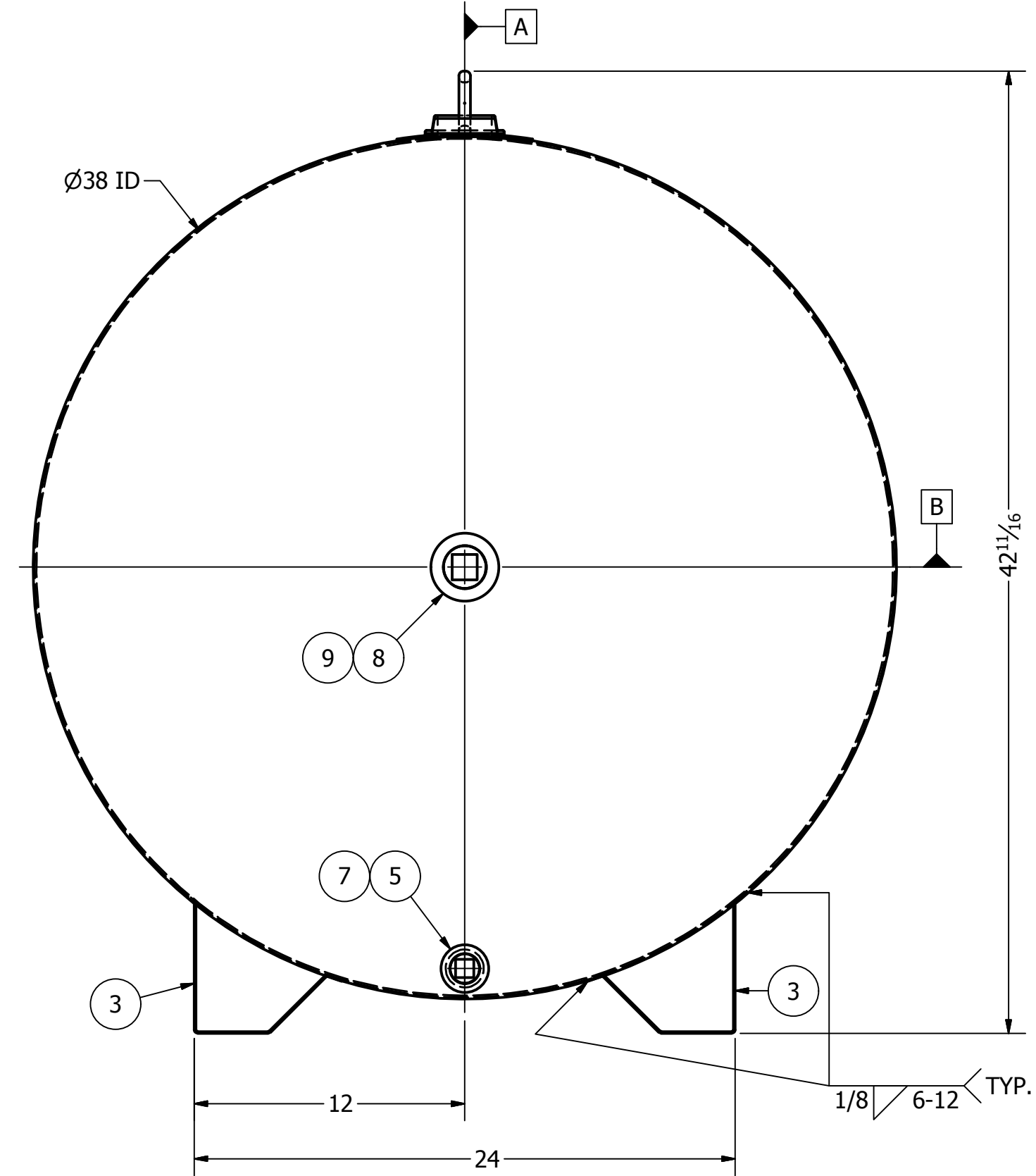
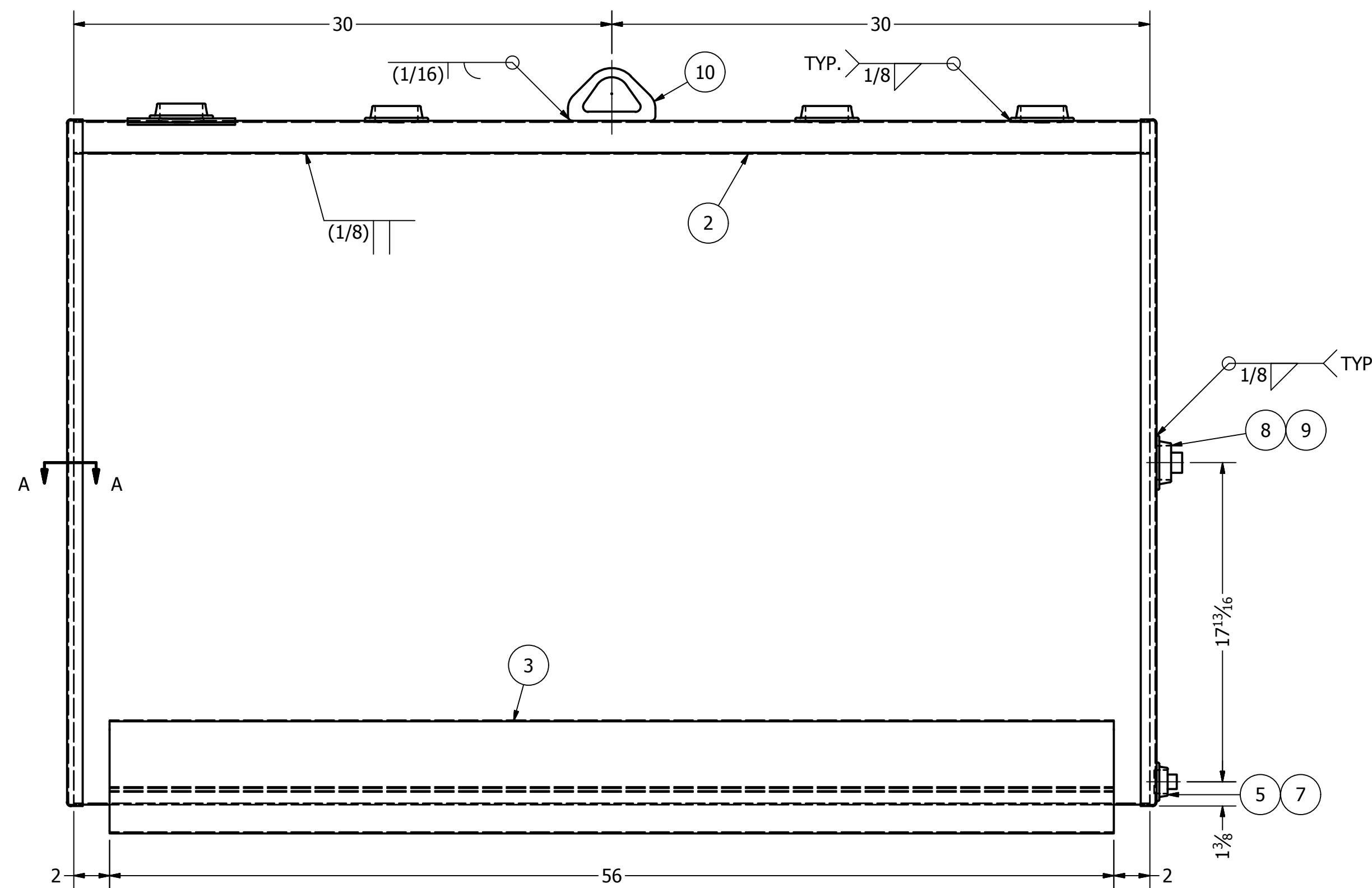


PARTS LIST					
ITEM	SL ITEM#	QTY	DESCRIPTION	MASS	NOTES
1	2000-0358	1	Non-Registered Label Set	0.038 lbmass	
2	3000-0000	1	Shell, .075, 38id, 60, 360d	152.653 lbmass	
3	3000-0002	2	Skid, SSP38, .075, 56, 24sp	16.658 lbmass	
4	3000-0009	1	Plate, Bent, .135, 6x6, 19.188ir, 2.5Hole	1.195 lbmass	
5	TB002015	1	Weld Flange, Threaded, 1, BLK	0.190 lbmass	
6	TB002022	4	Weld Flange, Threaded, 2, BLK	0.534 lbmass	
7	TB002170	1	Pipe Plug, 1, Square Head, BLK	0.378 lbmass	
8	TB002019	1	Weld Flange, Threaded, 1.5, BLK	0.416 lbmass	
9	TB001394	1	Pipe Plug, 1.5, Square Head, BLK	0.866 lbmass	
10	TB000905	1	Lift Lug, Small, 6800#	0.806 lbmass	
11	TC000878	2	PL, 14ga, 39.75, 38.15id, Flanged Head	26.342 lbmass	



SECTION A-A



DATE	REV	DESCRIPTION	ECN NO.	REV BY
2/22/2017	3	CHANGED HEADS TO NEW FORMAT	E2017-0055	DCLAUDE
8/28/2015	2	CHANGED TNS DECAL	E2015-0295	DCLAUDE
6/2/2015	1	UPDATED SKID PROFILE AND SPREAD	E2015-0068	TWS
12/3/2014	0	RELEASED		DCLAUDE

NOTES:
1) FINISH:
EXTERIOR - PRIME & WHITE
INTERIOR - NO COATING

<p>UNLESS OTHERWISE SPECIFIED: UNITS = INCHES TOLERANCE: LINEAR ±1/8" ANGULAR ±1/2"</p>	<p>4401 West Main Fargo, ND 58103 Phone: 701-282-2345 Fax: 701-282-5516 TrueNorthSteel.com</p>	
	<p>DRAWN: DCLAUDE CHECKED: DATE DATE: 11/25/2014</p>	