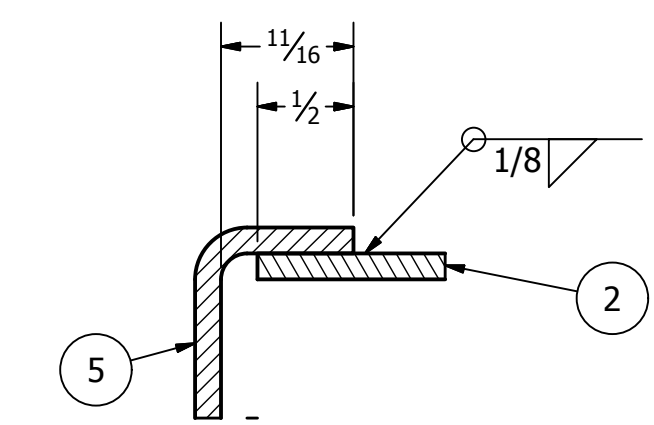
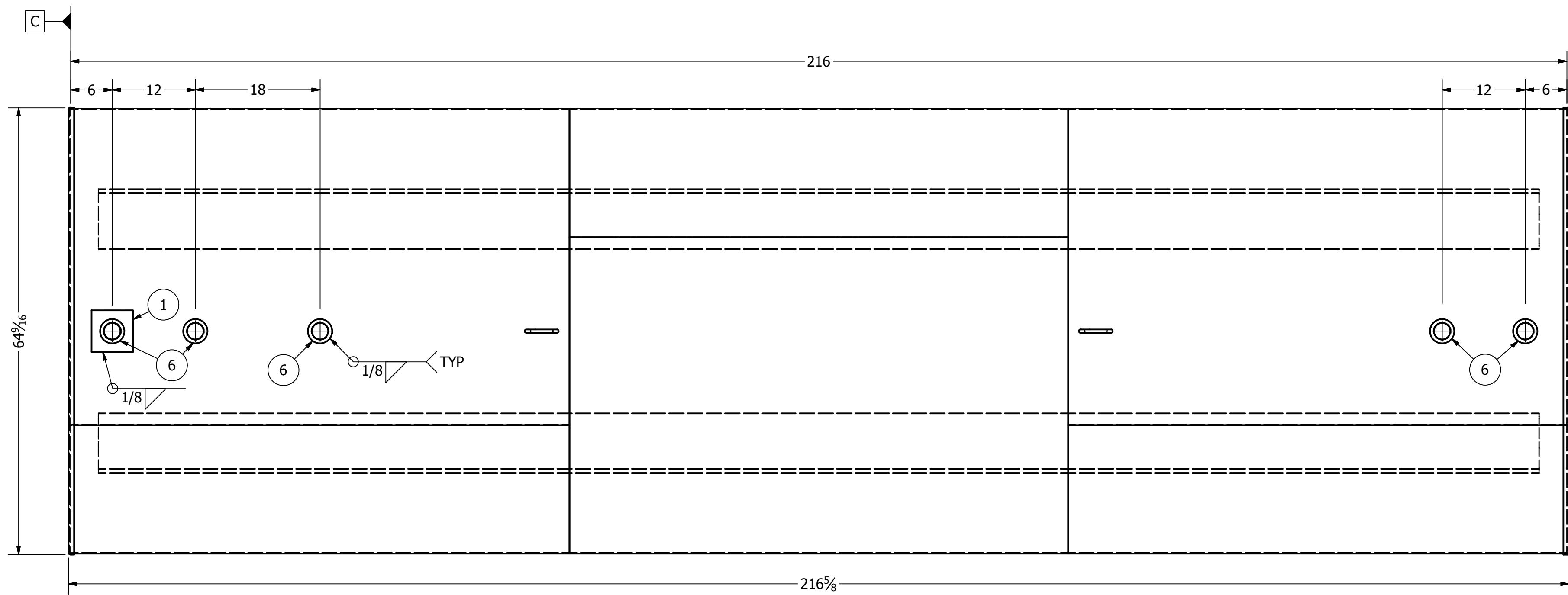
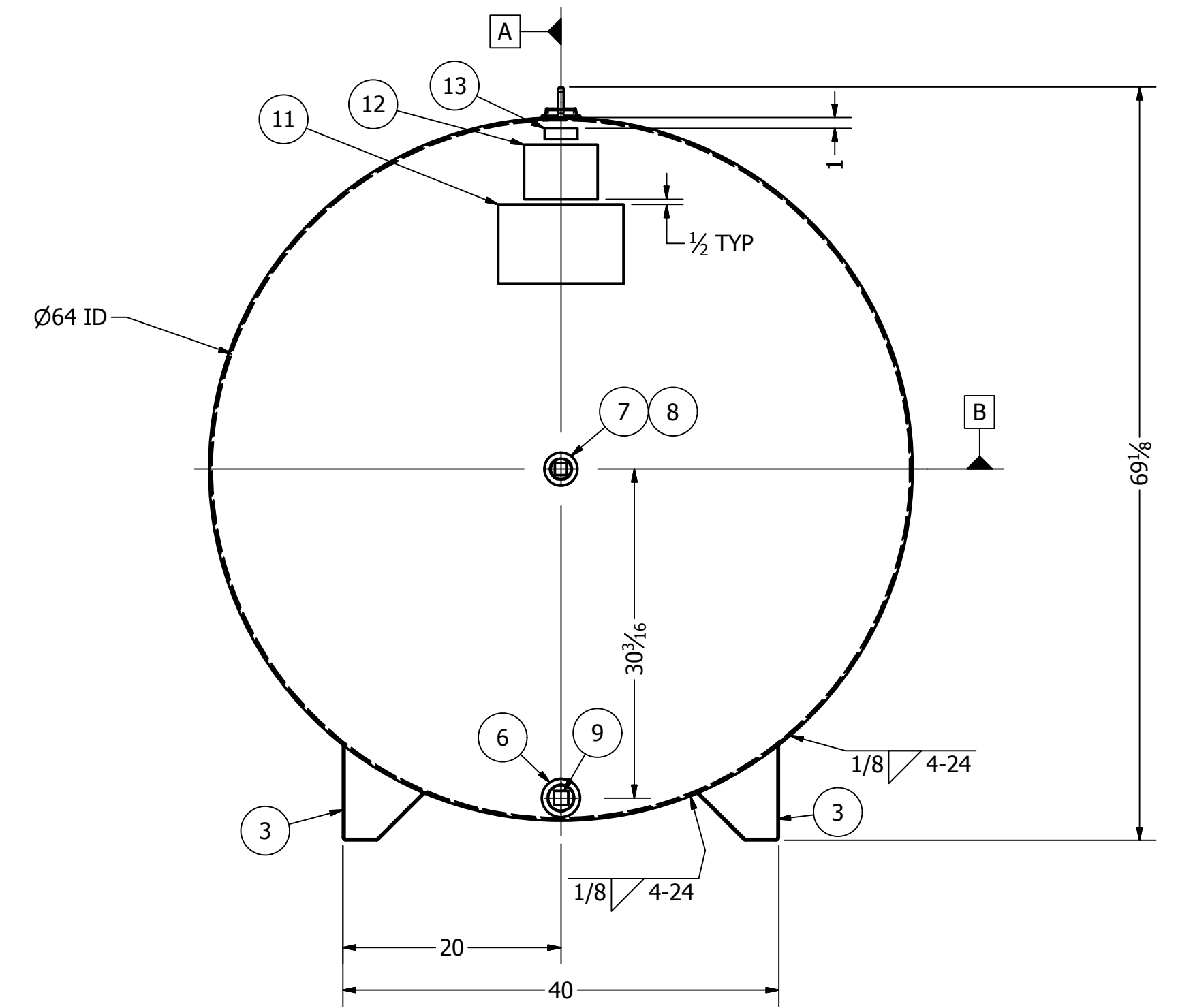
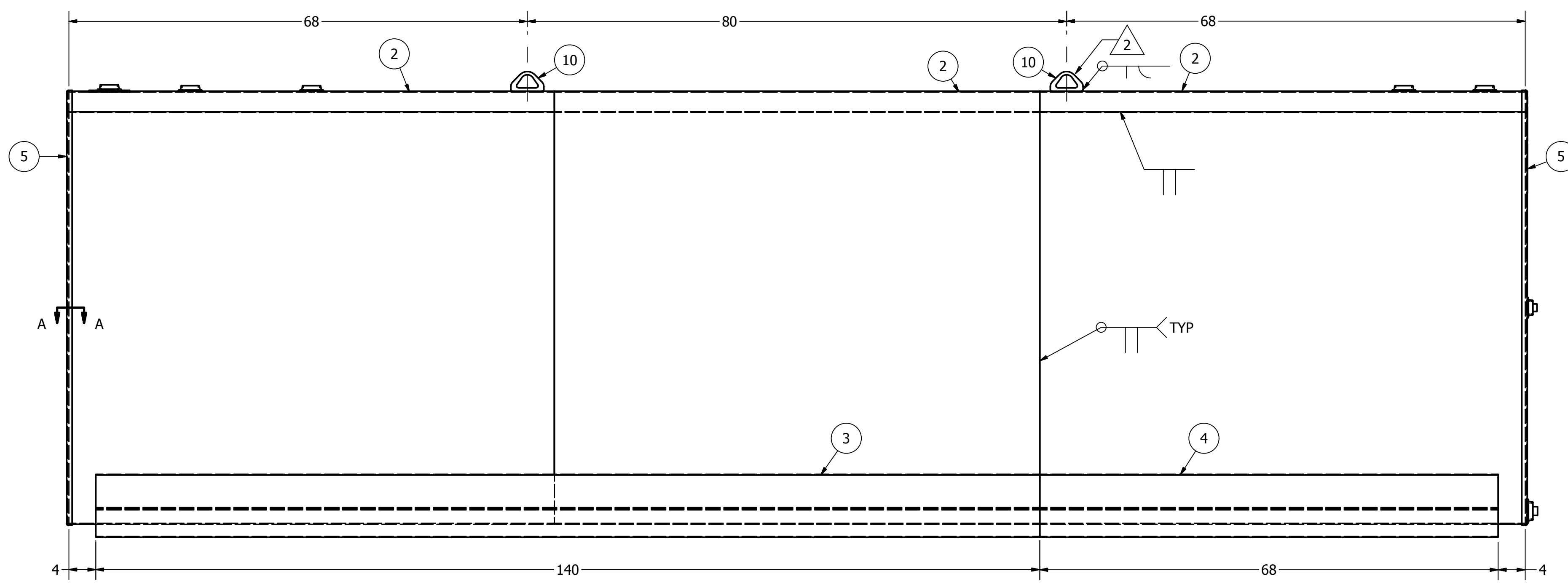


PARTS LIST						
ITEM	SL ITEM#	QTY	DESCRIPTION	MASS	NOTES	
1	3000-0010	1	Plate,Bent,.135,6x6,24.188ir,2.5Hole	1.1937 lbmass		
2	3000-0012	3	Shell,.135,64id,72,360d	555.4118 lbmass		
3	3000-0013	2	Skid,SSP64,.135,140,40sp,STI	102.9651 lbmass		
4	3000-0014	2	Skid,SSP64,.135,68,40sp,STI	50.0116 lbmass		
5	3000-0015	2	Head,Circle,.135,64.270id,.625flng	129.8473 lbmass		
6	TB002022	6	Weld Flange,Threaded,2,BLK	.5342 lbmass		
7	TB002019	1	Weld Flange,Threaded,1.5,BLK	.4165 lbmass		
8	TB001394	1	Pipe Plug,1.5,Square Head,BLK	.8657 lbmass		
9	TB001395	1	Plug,2.0,SqHd,150#,Thrd	1.435 lbmass		
10	TB000905	2	Lift Lug,Small,6800#	.8064 lbmass		
11	TB000219	1	Label,TrueNorth Steel,Black	.0161 lbmass		
12	TB000250	1	Label,Warning Integral Steel, Yellow	.0065 lbmass		
13	3950-0003	1	Label,Serial Number,1x3,Non-STI	.0128 lbmass		



SECTION A-A  
SCALE 1



DATE	REV	DESCRIPTION	ECN NO.	REV BY
8/31/2015	4	CHANGED TNS DECAL	E2015-0295	DCLAUDE
6/2/2015	3	UPDATE SKID PROFILE	E2015-0068	TWS
3/27/2015	2	MOVE LIFT LUGS/CHANGE SKID WELD	E2015-0024	JLK
1/5/2015	1	CHANGE TO 2" DRAIN		Tstoll
12/30/2014	0	RELEASED		Tstoll

NOTES:  
1) FINISH:  
EXTERIOR - PRIME GREY,PAINT WHITE W/FAST DRYING ENAMEL  
INTERIOR - NO COATING

	4401 West Main Fargo, ND 58103 Phone: 701-282-2345 Fax: 701-282-5516 TrueNorthSteel.com		
	UNLESS OTHERWISE SPECIFIED: UNITS = INCHES TOLERANCE: LINEAR ±1/8" ANGULAR ±1/2"	DRAWN: Tstoll CHECKED: DATE DATE: 12/30/2014	