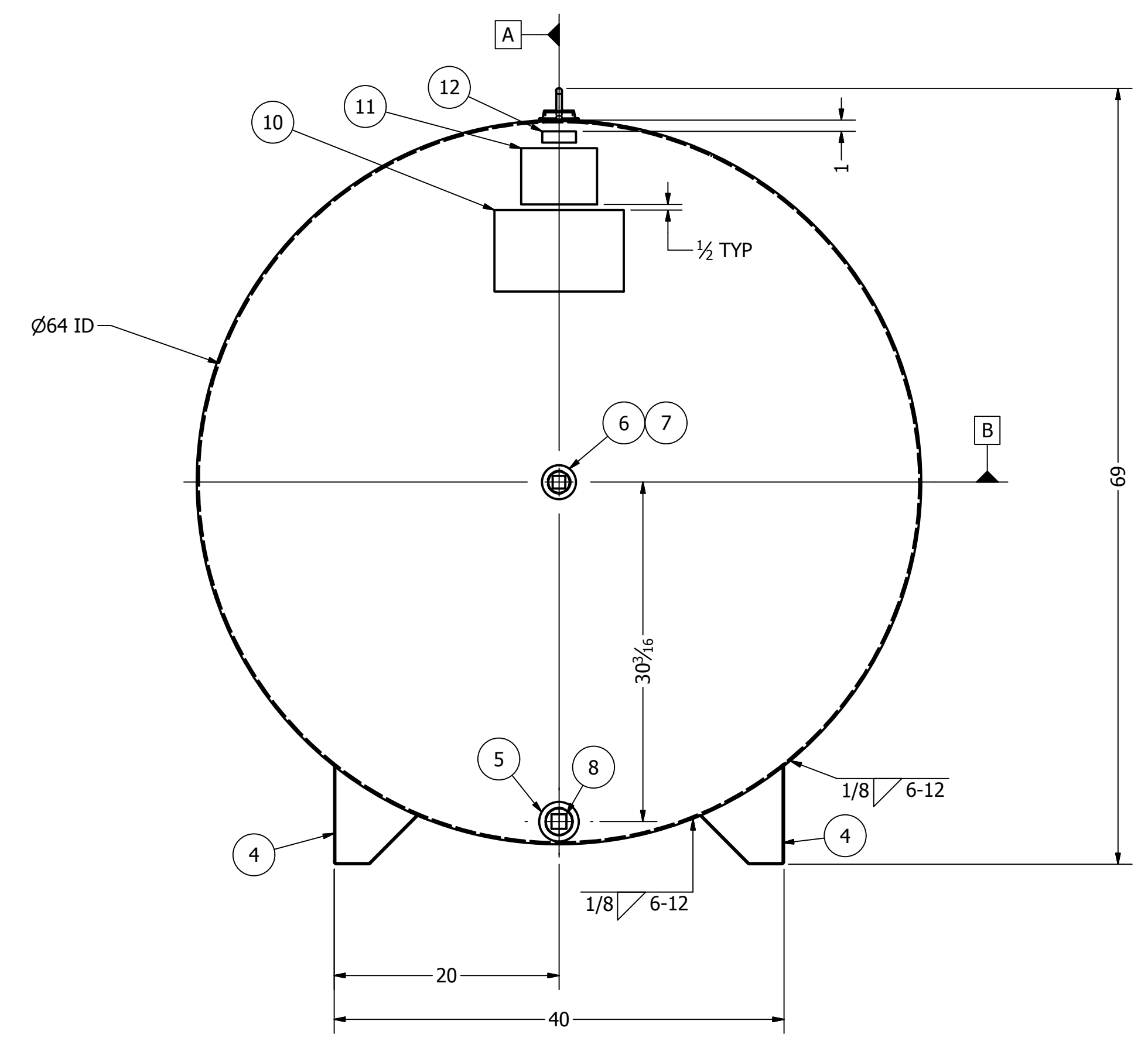
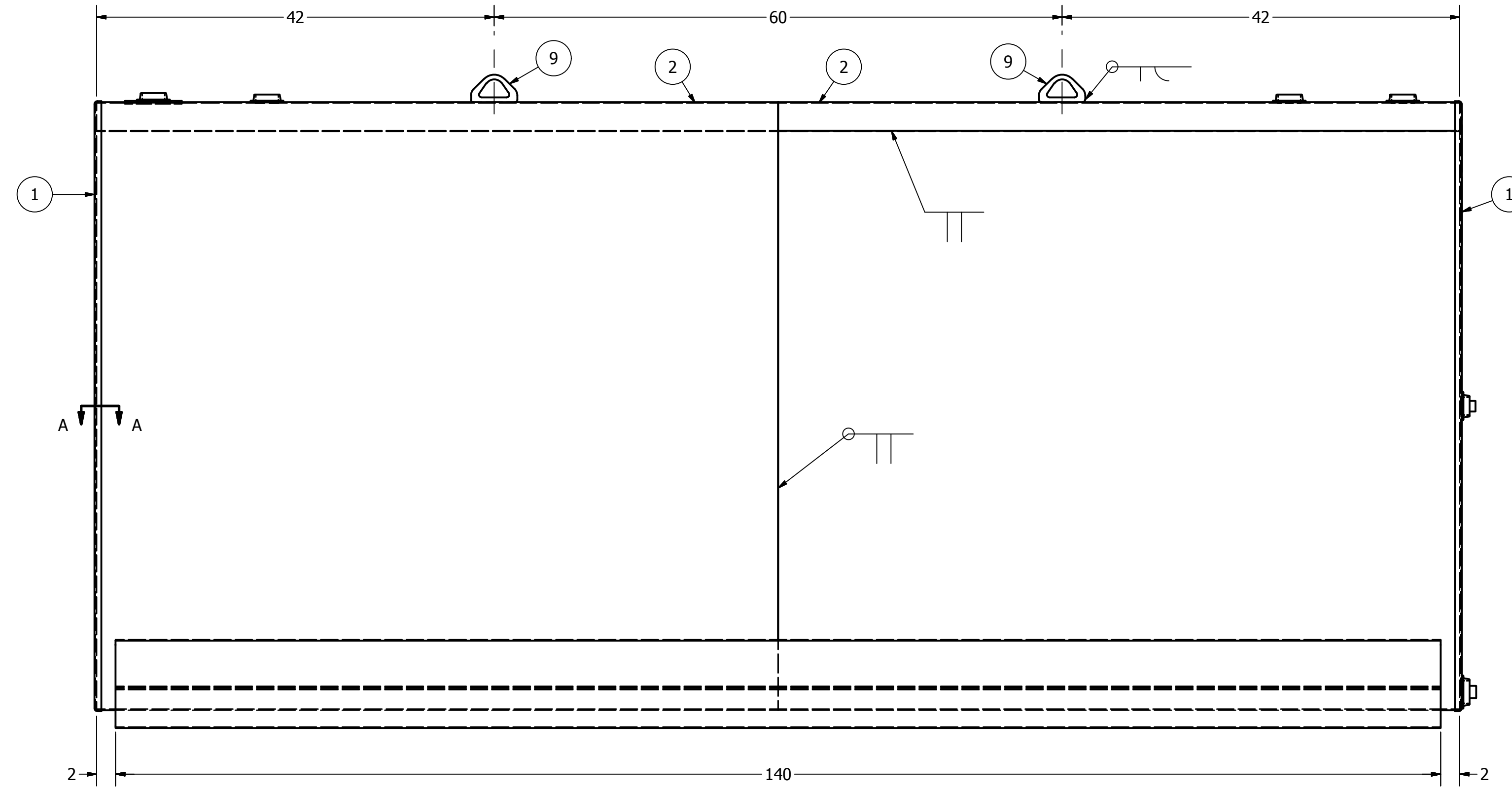
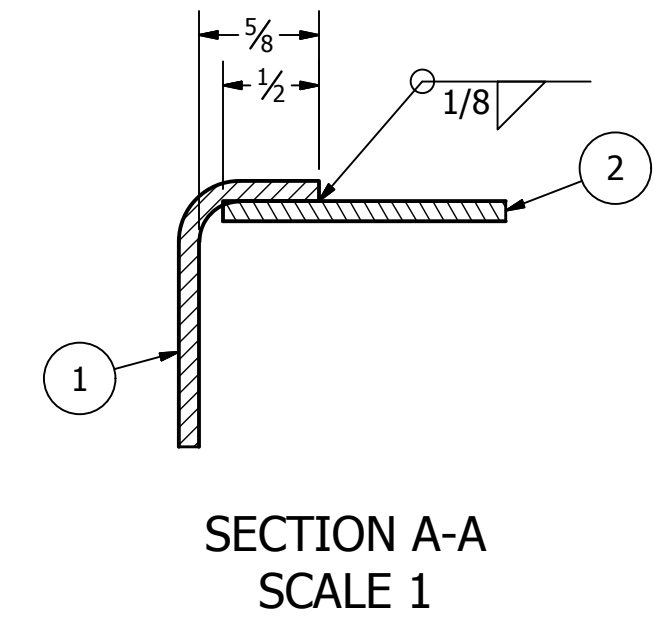
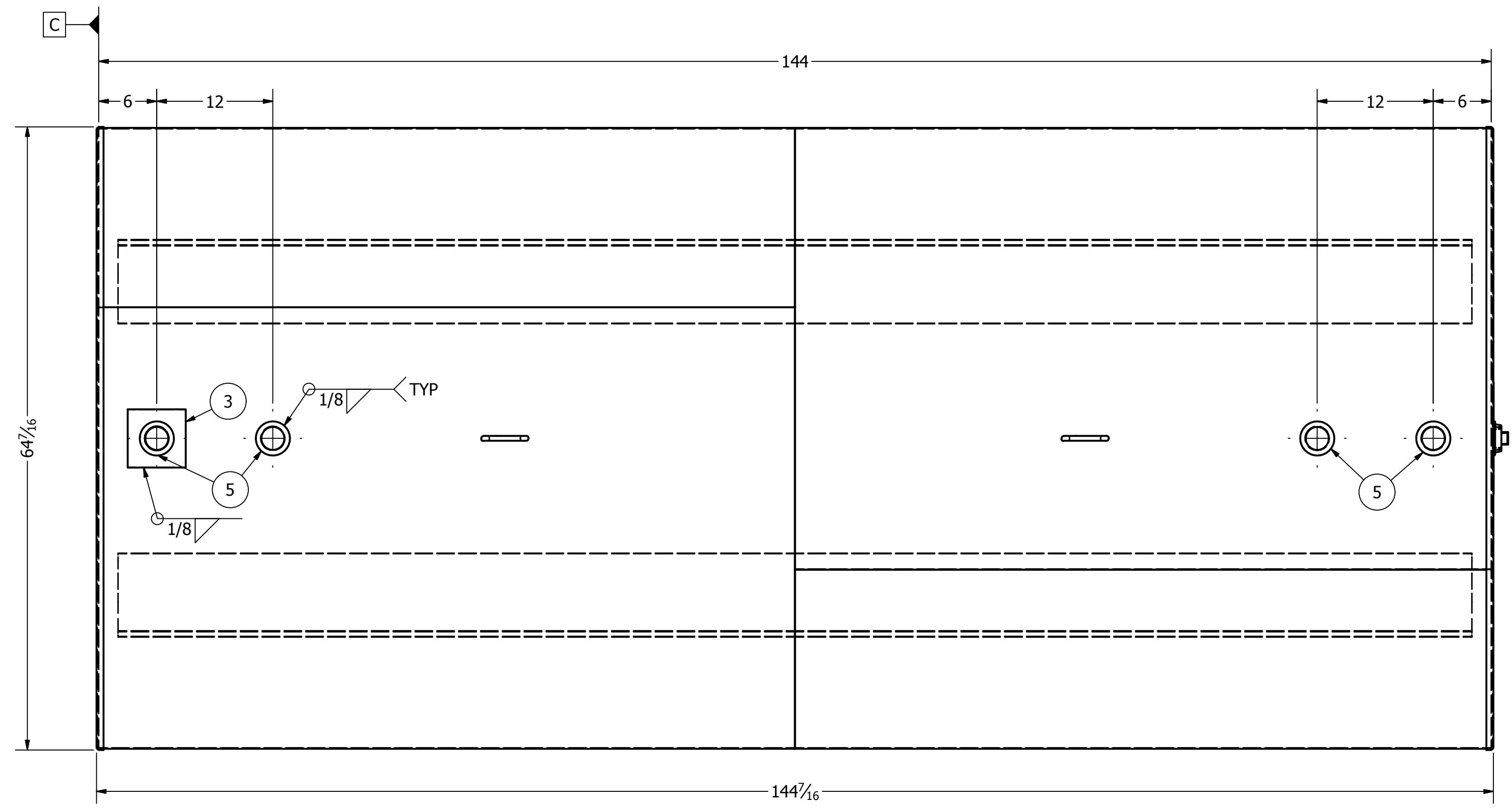


PARTS LIST					
ITEM	SL ITEM#	QTY	DESCRIPTION	MASS	NOTES
1	TC000178	2	Head,Circle,.105,64.210d,.625fing	100.1383 lbmass	
2	TC001254	2	Shell,.105,64id,72,360d	431.7849 lbmass	
3	3000-0010	1	Plate,Bent,.135,6x6,24.188ir,2.5Hole	1.1937 lbmass	
4	3000-0011	2	Skid,SSP64,.105,140,40sp	80.1745 lbmass	
5	TB002022	5	Weld Flange,Threaded,2,BLK	.5342 lbmass	
6	TB002019	1	Weld Flange,Threaded,1.5,BLK	.4165 lbmass	
7	TB001394	1	Pipe Plug,1.5,Square Head,BLK	.8657 lbmass	
8	TB001395	1	Plug,2.0,SqHd,150#,Thrd	1.435 lbmass	
9	TB000905	2	Lift Lug,Small,6800#	.8064 lbmass	
10	TB000219	1	Label,TrueNorth Steel,Black	.0161 lbmass	
11	TB000250	1	Label,Warning Integral Steel, Yellow	.0065 lbmass	
12	3950-0003	1	Label,Serial Number,1x3,Non-STI	.0128 lbmass	



DATE	REV	DESCRIPTION	ECN NO.	REV BY
8/28/2015	3	CHANGED TNS DECAL	E2015-0295	DCLAUDE
6/2/2015	2	UPDATED SKID PROFILE	E2015-0068	TWS
1/5/2015	1	CHANGE TO 2" DRAIN		Tstoll
12/23/2014	0	RELEASED		Tstoll

NOTES:
 1) FINISH:
 EXTERIOR - PRIME GREY, PAINT WHITE WITH FAST DRYING ENAMEL
 INTERIOR - NO COATING

	4401 West Main Fargo, ND 58103 Phone: 701-282-2345 Fax: 701-282-5516 TrueNorthSteel.com		
	UNLESS OTHERWISE SPECIFIED: UNITS = INCHES TOLERANCE: LINEAR ±1/8" ANGULAR ±1/2"	DRAWN: Tstoll CHECKED: DATE DATE: 10/2/2014	