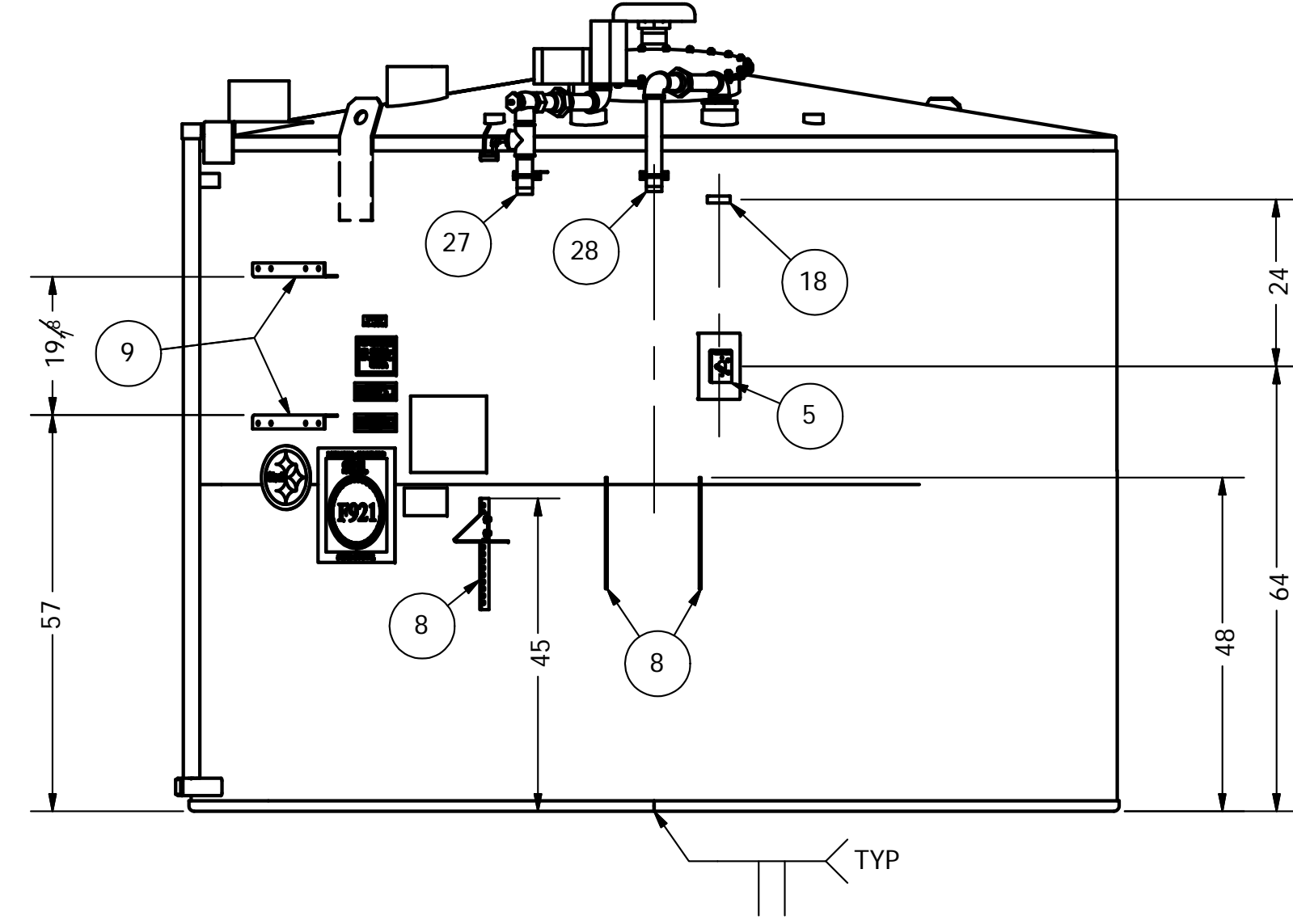
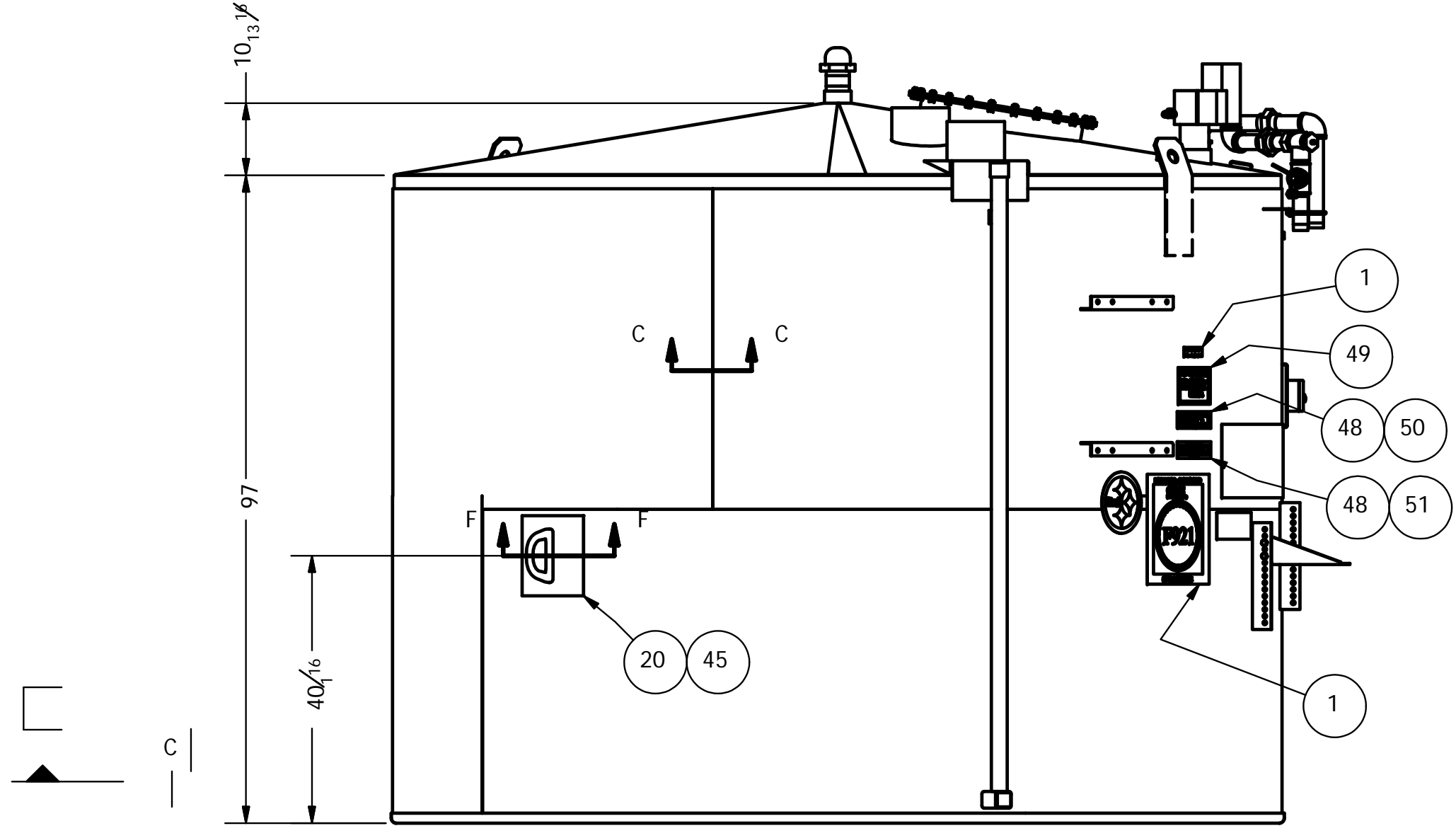


PARTS LIST					
ITEM	S/L ITEM#	QTY	DESCRIPTION	MASS	NOTES
1	TB000811	1	Label Kit,F921	0.298 lbmass	
2	2000-0011	1	Manway,Kit,24.0,SP,3.5n.,.250f.,.250c,BunaN	78.914 lbmass	
3	2000-0016	1	Monitor Pipe Assy,96 Vert Tank	32.923 lbmass	
4	2000-0019	1	Pressure Relief Kit,.25 pipe,24 Hose	1.572 lbmass	
5	2000-0041	1	Switch Kit, Submersible Pump,0.75hp	3.426 lbmass	
6	2000-0042	1	Submersible Pump Kit,STP75-VL2 .75hp	115.329 lbmass	
7	TC002463	2	Shell,.188,132.5id,48.360d,Ofst1	1067.587 lbmass	
8	TC000283	3	Bracket, DW Fill Box, .25x3x16	3.139 lbmass	
9	TC000663	2	Bracket,Reel For Vert Tanks LAN0191	3.290 lbmass	
10	3000-0065	1	Head,Half,.135,132.5id,ConeD,OL. 2.Octr	271.309 lbmass	
11	3000-0068	1	Head,Half,.135,132.5id,Cone,Hole,OL,2ctr	248.382 lbmass	
12	3000-0071	2	Head,Circle,.250,132.5id,1.500fing	510.706 lbmass	
13	3000-0072	2	Head,Half,.250,133.270id,1.25fing	512.813 lbmass	
14	3000-0085	2	Shell,Wrap,.135,132.875id,48.362d	772.592 lbmass	
15	TC001037	1	Bracket,Filter,.188x4x13	3.912 lbmass	
16	TC000509	4	Bracket,Pipe For DW Vert,10ga,4x11	3.264 lbmass	
17	TB000842	2	Bracket,2.0 U-Bolt,12ga,1x4x4	0.586 lbmass	
18	TC000681	2	Bracket,U-Shape,10ga,.75x1x3	0.165 lbmass	
19	TC000683	1	Bracket,U-Shape,10ga,1x9.25x6	2.535 lbmass	
20	3000-0105	1	Reinforcement Plate,.250,12x12,132 Tank	10.229 lbmass	
21	3000-0656	1	E-Vent Platform,.135,2/12Pitch	9.193 lbmass	
22	TB001384	2	Pipe,8,Sch40,6,TOE	14.292 lbmass	
23	TB001373	1	Pipe,3,Sch40,4,TBE	0.214 lbmass	
24	TB001369	3	Pipe,2.00,Sch40,1.900,TBE	0.252 lbmass	
25	TB001367	1	Pipe,2.00,Sch40,4,TBE	0.996 lbmass	
26	TB001363	1	Pipe,2.0,Sch40,12,TBE	3.102 lbmass	
27	TB001368	3	Pipe,2.00,Sch40,6,TBE	1.523 lbmass	
28	3200-0047	1	Pipe,2.0,Sch40,14.188,TBE	4.297 lbmass	
29	3200-0245	1	Pipe,2,Sch40,96,TOE	29.255 lbmass	
30	TB002015	1	Weld Flange,Threaded,1, BLK	0.190 lbmass	
31	TB002170	1	Pipe Plug,1,Square Head,BLK	0.378 lbmass	
32	TB001222	2	Coupling,Full,2.00,Merch,Thrd	1.216 lbmass	
33	TB001225	1	Coupling,Full,3.00,Merch,Thrd	3.568 lbmass	
34	TB001227	2	Coupling,Full,4.00,Merch,Thrd	4.381 lbmass	
35	TB001180	1	Bushing,Hex,4.00x2.00,DbI Tap,150#	6.074 lbmass	
36	TB001255	3	Elbow,2.00x90,150#,Thrd	1.886 lbmass	
37	TB002282	1	Bushing,Hex,2.00x.250,150#	1.100 lbmass	
38	TB001456	2	Union,2.00,150#	3.294 lbmass	
39	TB001961	1	Valve,AntiSiphon,2.00,5to12HeadPress	4.099 lbmass	EBW 9L79
40	TB001447	1	Tee,2.00,150#,Thrd	2.278 lbmass	
41	TB001052	2	Nut,.500,13 Z5	0.043 lbmass	
42	3400-0003	4	Nut,.375-16UNC,Hex,Zinc Plated	0.018 lbmass	
43	DIKBU	2	U-Bolt,.375-16,2.0 Pipe,3.125,Zinc PI	0.256 lbmass	TC002196
44	TB000111	2	Bolt,Hex,.500-13UNCx1.250,Zinc PI	0.120 lbmass	
45	TB000904	1	Lift Lug,Large,16500#	5.186 lbmass	
46	TC000211	2	Lift Lug,Top	11.051 lbmass	
47	TB001979	1	Vent,Double Outlet,3.00,Thrd	0.406 lbmass	
48	TB000817	2	Holder,Brass Label,Fargo	0.275 lbmass	3950-0036, HURON
49	TB000813	1	Label,SwRI Above Ground Storage Tank	0.005 lbmass	
50	TB000822	1	Label,H,Tank Requires Emer. Relief	0.047 lbmass	
51	TB000826	1	Label,K,Vent Space Between Outer & Inner	0.047 lbmass	



DATE	REV	DESCRIPTION	ECN NO.	BY
4/18/2016	3	UPDATED DETAILS	E2016-0107	TWS
3/19/2015	2	MOVE MANWAY	E2015-0019	JLK
3/17/2015	1	CORRECT PART LIST		TWS
12/30/2014	0	RELEASE		JLK
12/9/2014	A	APPROVAL		TWS

NOTES:
 1) FINISH:
 EXTERIOR: PRIME GREY, WHITE PAINT W/FAST DRYING ENAMEL
 BOTTOM - BITUMASTIC #50
 INTERIOR: NO COATING
 2) REQUIRED VENTING CAPACITY - 252,758.24 (ft3/hr)
 3) BUILD & TESTING
 THIS TANK SHALL BE BUILT & TESTED IN ACCORDANCE
 WITH STI-F921 STANDARD FOR ABOVE GROUND TANKS

<p>UNLESS OTHERWISE SPECIFIED: UNITS = INCHES TOLERANCE: LINEAR ±1/8" ANGULAR ±1/2"</p>	4401 West Main Fargo, ND 58103 Phone: 701-282-2345 Fax: 701-282-5516 TrueNorthSteel.com	<p>TrueNorthSteel</p>	
	DRAWN: Tstoll CHECKED: [] DATE: 11/3/2014		PART#: 1005-0001 DESCRIPTION: Tank,V,5700,132x96,F921,.75hp,0100 WEIGHT: 6675.395 lbmass SCALE: DO NOT SCALE DRAWING
	THIS DRAWING IS THE SOLE PROPERTY OF TRUENORTH STEEL INC. ANY COPIES/EDITS MADE WITHOUT THE WRITTEN CONSENT OF TRUENORTH STEEL, IS STRICTLY PROHIBITED.		