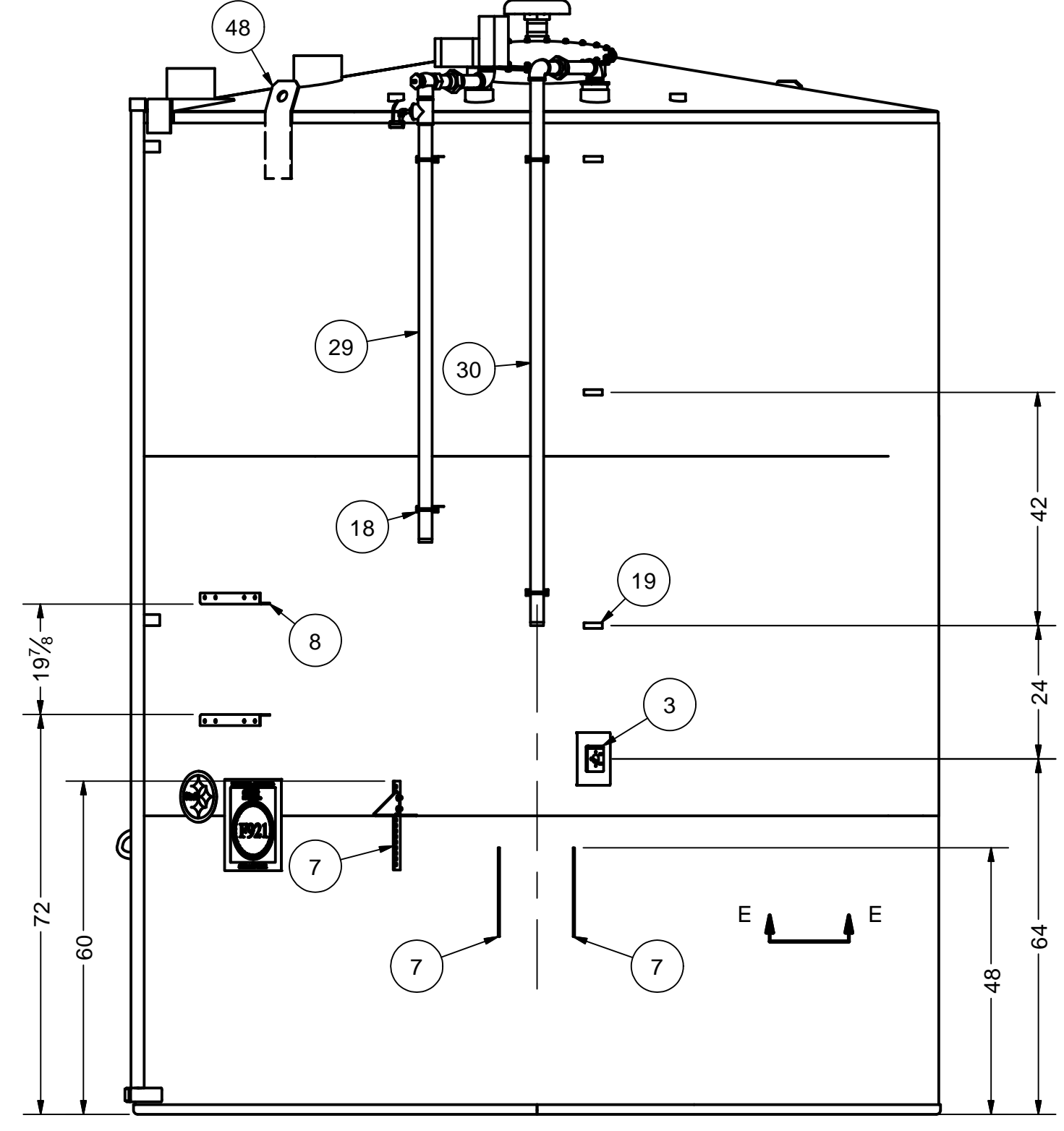
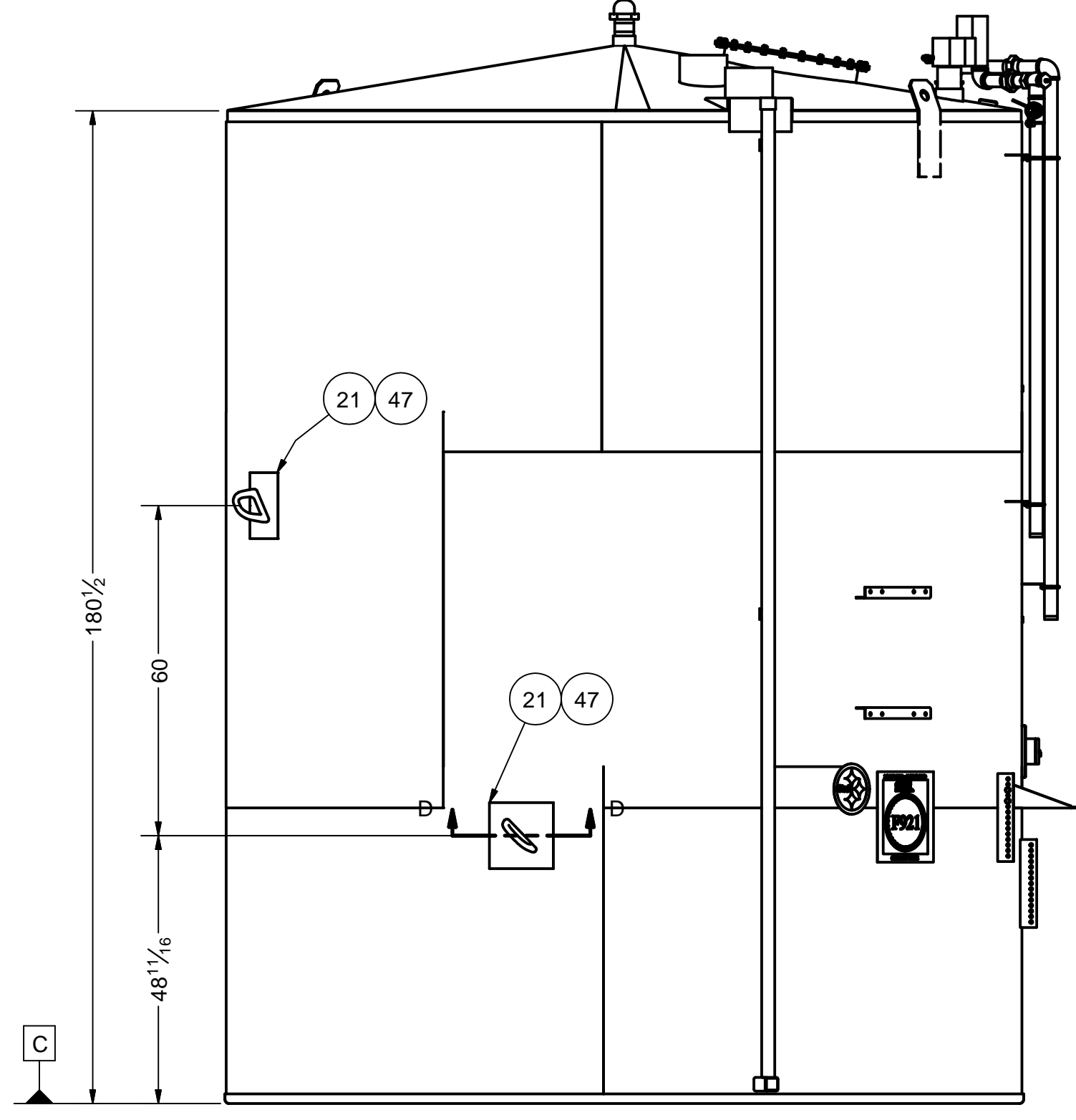
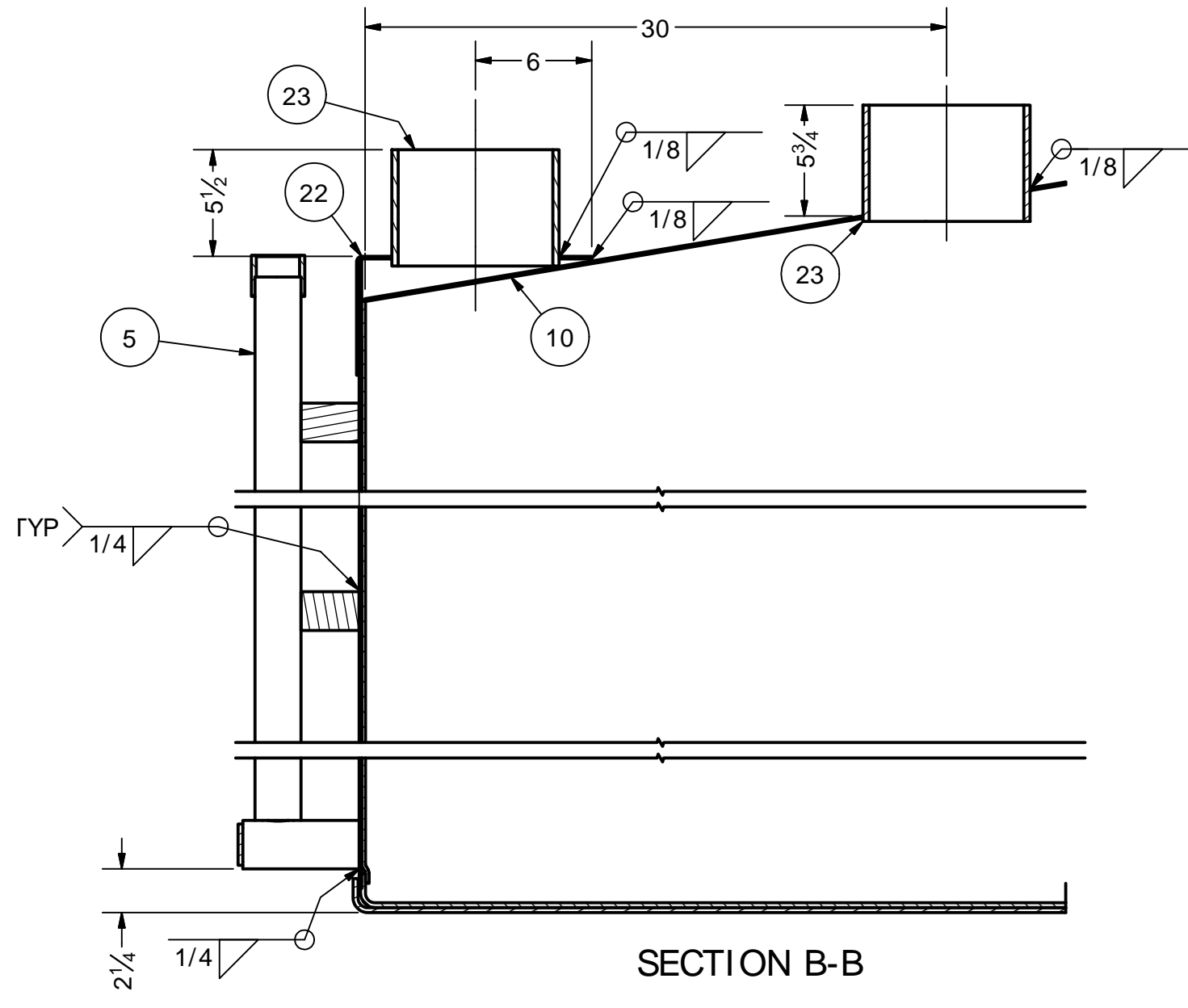
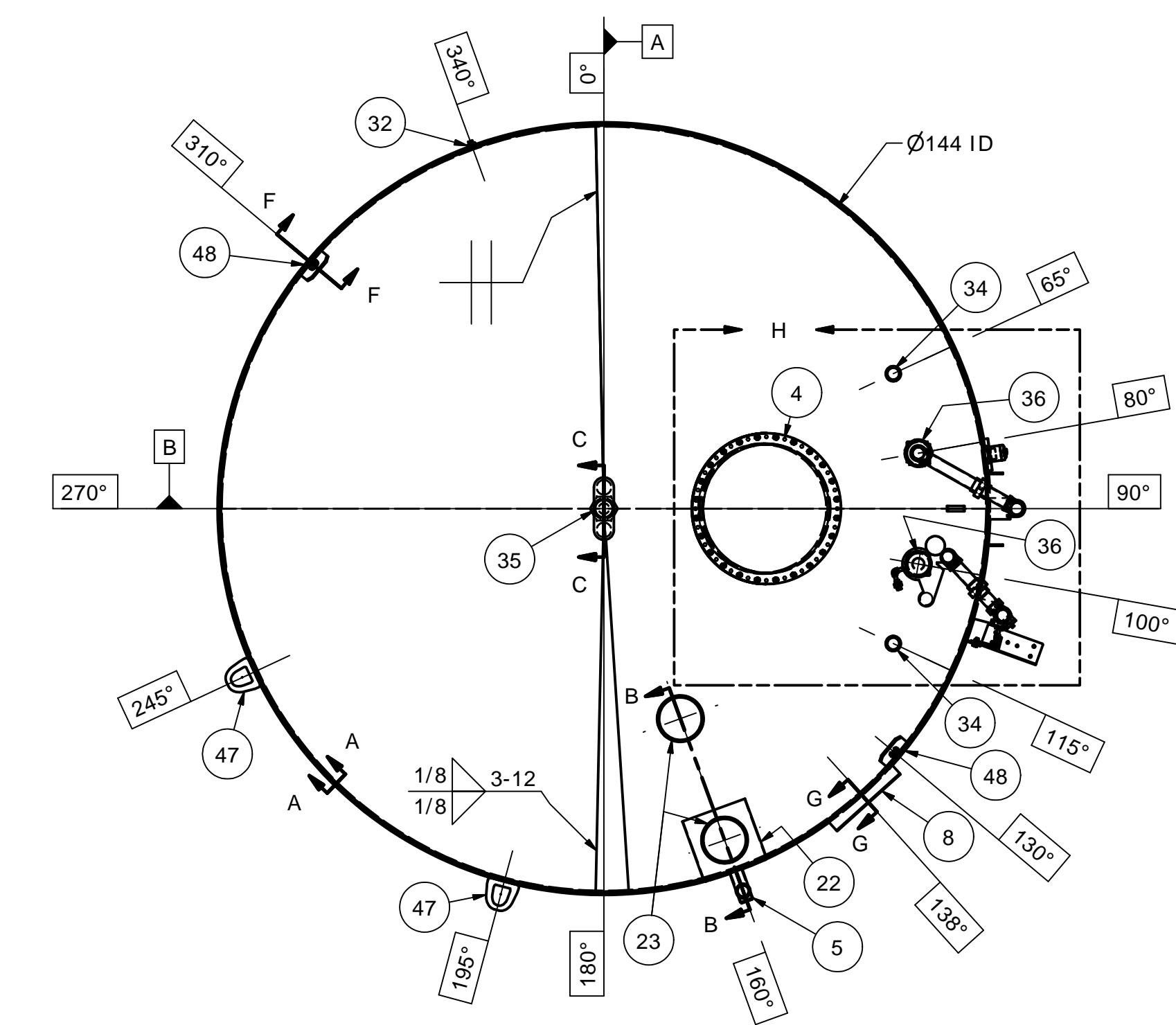


QC	LAYOUT	DIM. INSP.	WELDER	WELD INSP.	COATING	COAT. INSP.	COMP. DATE	HEAT #:
----	--------	------------	--------	------------	---------	-------------	------------	---------



PARTS LIST					
ITEM	S/L ITEM#	QTY	DESCRIPTION	MASS	NOTES
1	TB000811	1	Label Kit,F921	0.298 lbmass	
2	TB001849	1	Submersible Pump Kit,STP150-VL3 1.5hp	142.180 lbmass	
3	2000-0008	1	Switch Kit, Submersible Pump, 1.5/2.0hp	2.367 lbmass	
4	2000-0011	1	Manway,Kit,24.0,SP,3.5n.,250f.,250c,BunaN	78.914 lbmass	
5	2000-0015	1	Monitor Pipe Assy,180 Vert Tank	58.946 lbmass	
6	2000-0019	1	Pressure Relief Kit,.25 pipe,24 Hose	1.572 lbmass	
7	TC000283	3	Bracket, DW Fill Box, .25x3x16	3.139 lbmass	
8	TC000663	2	Bracket,Reel For Vert Tanks LAN0191	3.290 lbmass	
9	3000-0066	1	Head,Half,.135,144id,Coned,OL,2.0ctr	320.451 lbmass	
10	3000-0069	1	Head,Half,.135,144id,Coned,Hole,OL,2.0ctr	295.654 lbmass	
11	3000-0073	2	Head,Half,.250,144id,1.500flng	601.135 lbmass	
12	3000-0074	2	Head,Half,.25,144.770id,1.500flng	607.453 lbmass	
13	TC002358	3	Shell,.188,144id,60,360d,Ofst1	1450.078 lbmass	
14	3000-0090	2	Shell,Wrap,.135,144.375id,60,362d	1049.193 lbmass	
15	3000-0091	1	Shell,.Wrap,135,144.375id,72,362d	1259.032 lbmass	
16	TC001037	1	Bracket,Filter,.188x4x13	3.912 lbmass	
17	TC000509	4	Bracket,Pipe For DW Vert,10ga,4x11	3.264 lbmass	
18	TB000842	4	Bracket,2.0 U-Bolt,12ga,1x4x4	0.586 lbmass	
19	TC000681	4	Bracket,U-Shape,10ga,.75x1x3	0.165 lbmass	
20	TC000683	1	Bracket,U-Shape,10ga,1x9.25x6	2.535 lbmass	
21	TC000662	2	Reinforcement Plate,.250,12x12,144 Tank	10.227 lbmass	
22	3000-0656	1	E-Vent Platform,.135,2/12Pitch	9.470 lbmass	
23	TB001384	2	Pipe,8,Sch40,6,TOE	14.292 lbmass	
24	TB001373	1	Pipe,3,Sch40,4,TBE	0.214 lbmass	
25	TB001369	3	Pipe,2.00,Sch40,1.900,TBE	0.252 lbmass	
26	TB001367	1	Pipe,2.00,Sch40,4,TBE	0.996 lbmass	
27	TB001363	1	Pipe,2.0,Sch40,12,TBE	3.102 lbmass	
28	TB001368	2	Pipe,2.00,Sch40,6,TBE	1.523 lbmass	
29	3200-0039	1	Pipe,2.00,Sch40,75.75,TBE	23.061 lbmass	
30	3200-0040	1	Pipe,2.00,Sch40,98.938,TBE	30.128 lbmass	
31	3200-0120	1	Pipe,2.00,Sch40,179.5,TOE	54.700 lbmass	
32	TB002015	1	Weld Flange,Threaded,1, BLK	0.190 lbmass	
33	TB002170	1	Pipe Plug,1,Square Head,BLK	0.378 lbmass	
34	TB001222	2	Coupling,Full,2.00,Merch,Thrd	1.216 lbmass	
35	TB001225	1	Coupling,Full,3.00,Merch,Thrd	3.568 lbmass	
36	TB001227	2	Coupling,Full,4.00,Merch,Thrd	4.381 lbmass	
37	TB001180	1	Bushing,Hex,4.00x2.00,DbITap,150#	6.074 lbmass	
38	TB001255	3	Elbow,2.00x90,150#,Thrd	1.886 lbmass	
39	TB002282	1	Bushing,Hex,2.00x.250,150#	1.100 lbmass	
40	TB001456	2	Union,2.00,150#	3.294 lbmass	
41	TB001961	1	Valve,AntiSiphon,2.00,5to12HeadPress	4.099 lbmass	
42	TB001447	1	Tee,2.00,150#,Thrd	2.278 lbmass	
43	TB001052	2	Nut,.500,13 Z5	0.043 lbmass	
44	3400-0003	8	Nut,.375-16UNC,Hex,Zinc Plated	0.018 lbmass	
45	DIKBU	4	U-Bolt,.375-16,2.0 Pipe,3.125,Zinc Pl	0.256 lbmass	TC002196
46	TB000111	2	Bolt,Hex,.500-13UNCx1.250,Zinc Pl	0.120 lbmass	
47	TB000904	2	Lift Lug,Large,16500#	5.186 lbmass	
48	TC000211	2	Lift Lug,Top	11.051 lbmass	
49	TB001979	1	Vent,Double Outlet,3.00,Thrd	0.406 lbmass	
50	TB000817	2	Holder,Brass Label,Fargo	0.275 lbmass	3950-0036, HURON
51	TB000813	1	Label,SwRI Above Ground Storage Tank	0.005 lbmass	
52	TB000822	1	Label,H,Tank Requires Emer. Relief	0.047 lbmass	
53	TB000826	1	Label,K,Vent Space Between Outer & Inner	0.047 lbmass	

DATE	REV	DESCRIPTION	ECN NO.	BY
2/23/2016	3	UPDATED DETAILS	E2016-0107	TWS
3/19/2015	2	MOVE MANWAY	ECN 2015-0011	JLK
3/17/2015	1	CORRECT PART LIST		TWS
12/30/2014	0	RELEASE		TWS
12/5/2014	A	APPROVAL		TWS

NOTES:  
 1) FINISH:  
 EXTERIOR: PRIME GREY AND PAINT WHITE, FAST DRYING ENAMEL  
 INTERIOR: NO COATING

	4401 West Main Fargo, ND 58103 Phone: 701-282-2345 Fax: 701-282-5516 TrueNorthSteel.com		
	UNLESS OTHERWISE SPECIFIED: UNITS = INCHES TOLERANCE: LINEAR ± 1/8" ANGULAR ± 1/2"	DRAWN: Tstoll DATE: 11/3/2014 CHECKED: DATE:	