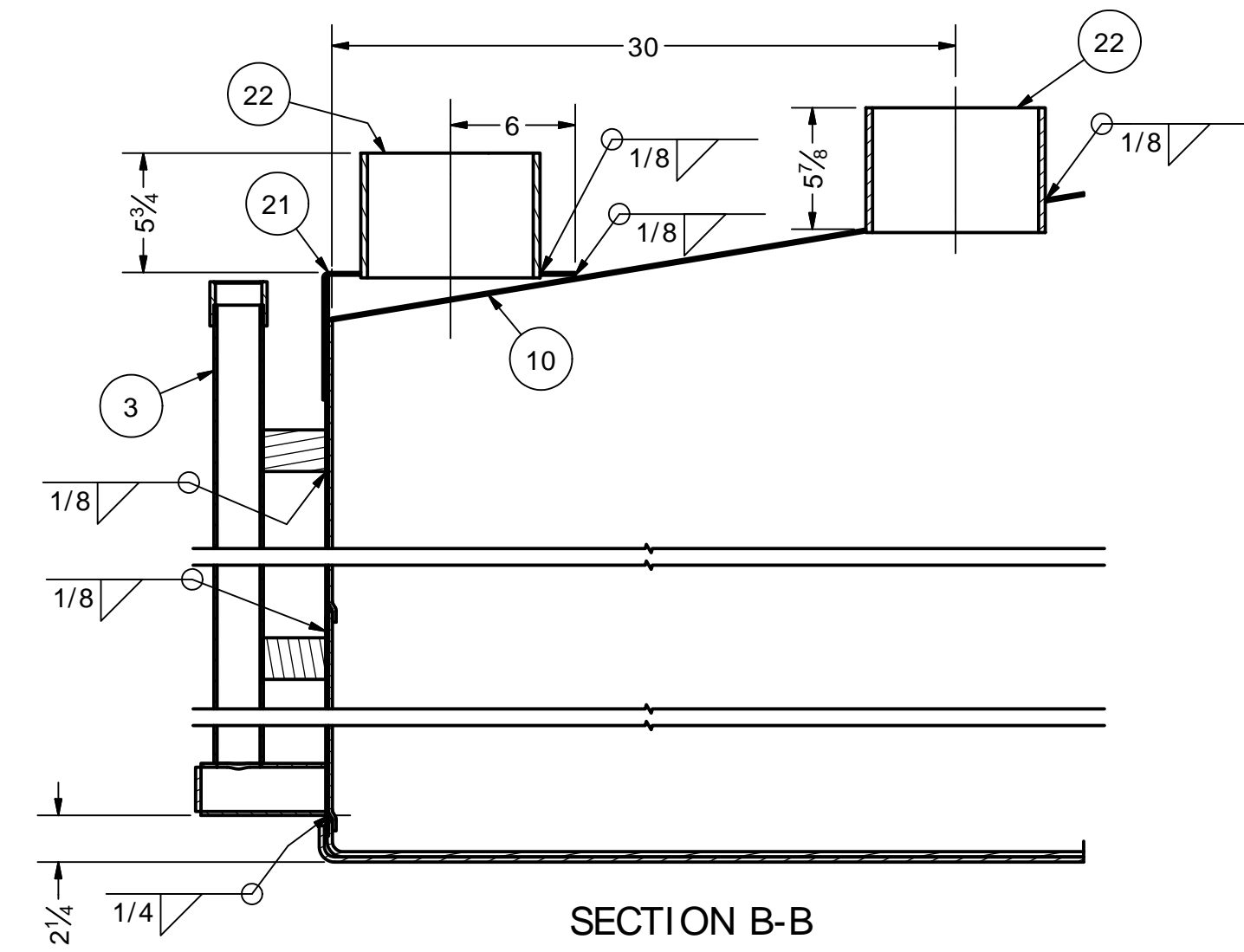
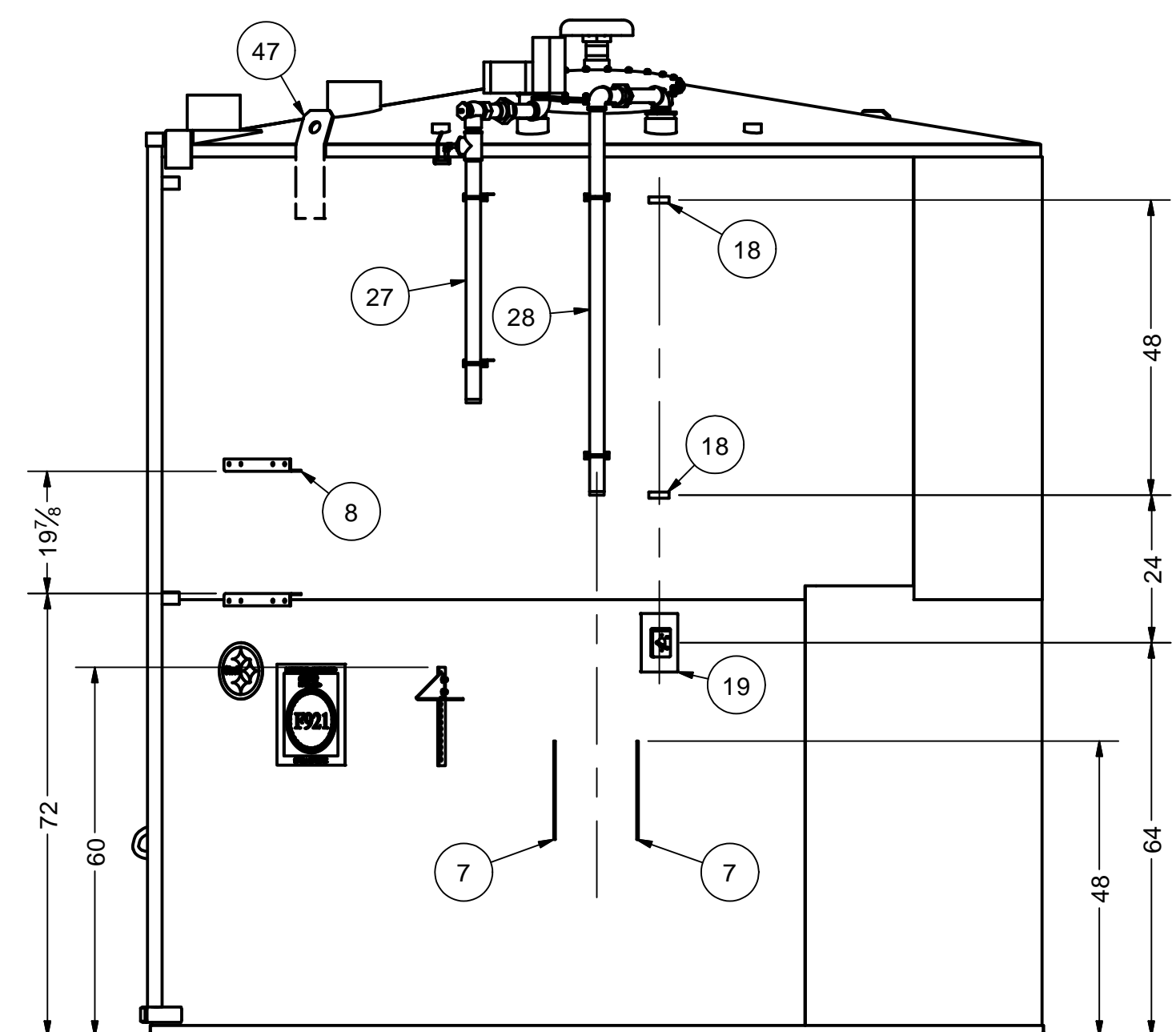
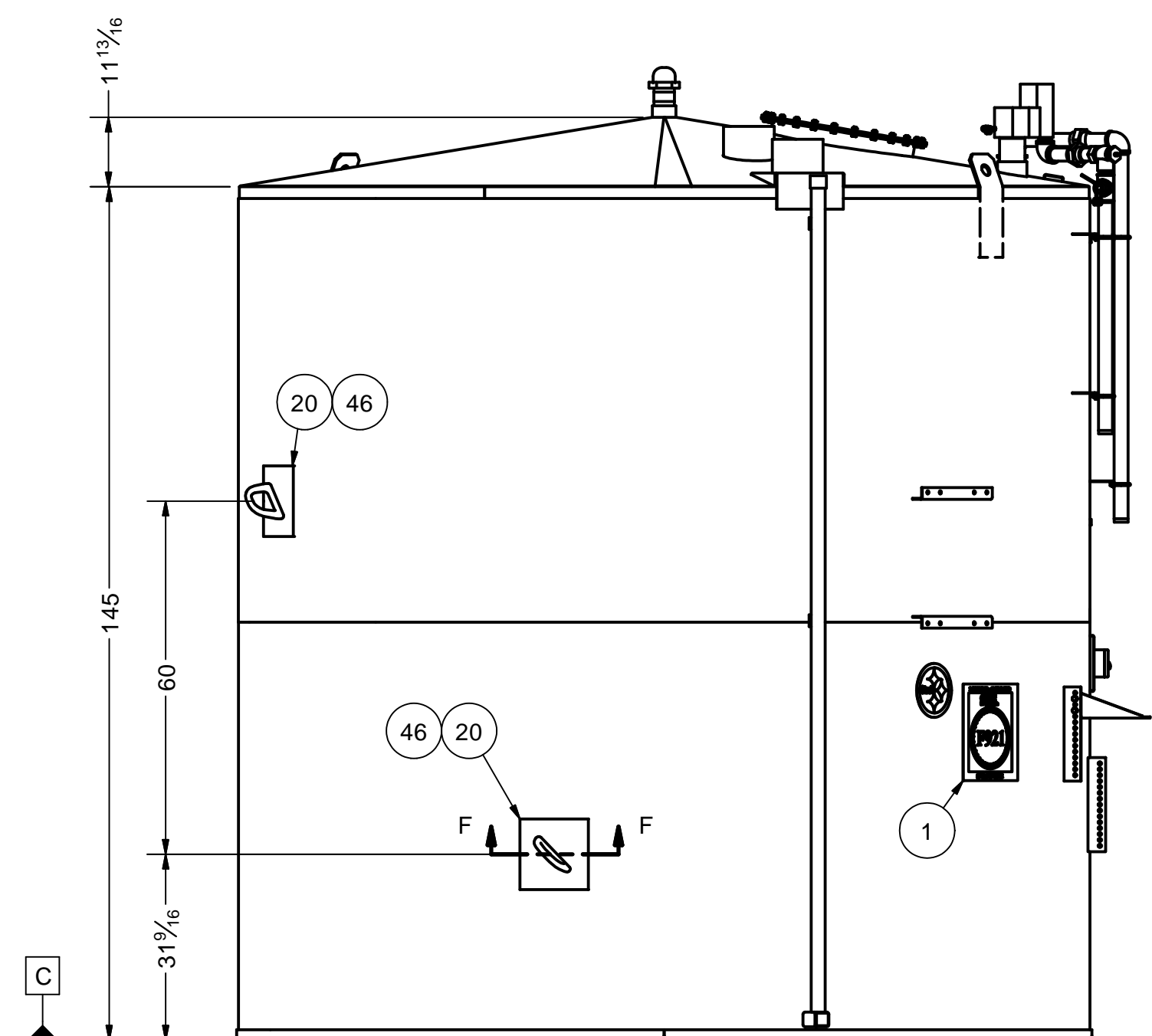
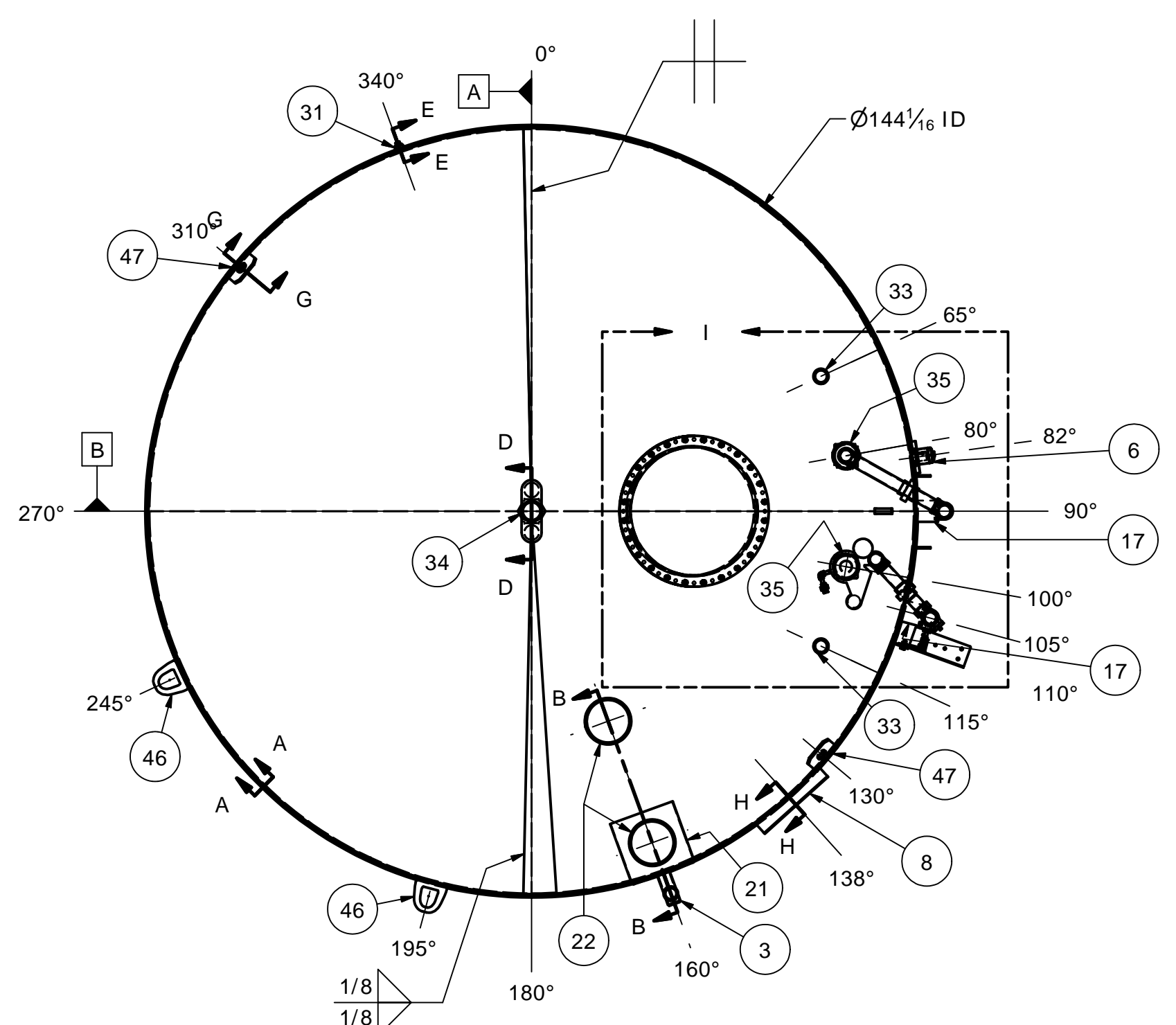


QC	LAYOUT	DIM. INSP.	WELDER	WELD INSP.	COATING	COAT. INSP.	COMP. DATE	HEAT #:
----	--------	------------	--------	------------	---------	-------------	------------	---------



PARTS LIST					
ITEM	S/L ITEM#	QTY	DESCRIPTION	MASS	NOTES
1	TB000811	1	Label Kit,F921	0.298 lbmass	
2	2000-0011	1	Manway,Kit,24.0,SP,3.5n.,.250f.,.250c,BunaN	78.914 lbmass	
3	2000-0014	1	Monitor Pipe Assy,144 Vert Tank	47.976 lbmass	
4	2000-0019	1	Pressure Relief Kit,.25 pipe,24 Hose	1.572 lbmass	
5	TB002284	1	Submersible Pump Kit,STP75-VL3-07 .75hp	142.180 lbmass	
6	2000-0041	1	Switch Kit, Submersible Pump,0.75hp	3.426 lbmass	
7	TC000283	3	Bracket, DW Fill Box, .25x3x16	3.139 lbmass	
8	TC000663	2	Bracket,Reel For Vert Tanks LAN0191	3.290 lbmass	
9	3000-0066	1	Head,Half,.135,144id,Coned,OL,2.0ctr	320.451 lbmass	
10	3000-0069	1	Head,Half,.135,144id,Cone,Hole,OL,2.0ctr	295.654 lbmass	
11	3000-0073	2	Head,Half,.250,144id,1.500fIng	601.135 lbmass	
12	3000-0074	2	Head,Half,.25,144,770id,1.500fIng	607.453 lbmass	
13	TC002406	2	Shell,.188,144id,72,360d,Ofst1	1739.894 lbmass	
14	3000-0091	2	Shell,.Wrap,135,144,375id,72,362d	1259.032 lbmass	
15	TC001037	1	Bracket,Filter,.188x4x13	3.912 lbmass	
16	TC000509	4	Bracket,Pipe For DW Vert,10ga,4x11	3.264 lbmass	
17	TB000842	4	Bracket,2.0 U-Bolt,12ga,1x4x4	0.586 lbmass	
18	TC000681	3	Bracket,U-Shape,10ga,.75x1x3	0.165 lbmass	
19	TC000683	1	Bracket,U-Shape,10ga,1x9,25x6	2.535 lbmass	
20	TC000662	2	Reinforcement Plate,.250,12x12,144 Tank	10.227 lbmass	
21	3000-0656	1	E-Vent Platform,.135,2,12Pitch	9.470 lbmass	
22	TB001384	2	Pipe,8,Sch40,6,TOE	14.292 lbmass	
23	TB001373	1	Pipe,3,Sch40,4,TBE	0.214 lbmass	
24	TB001369	3	Pipe,2.00,Sch40,1,900,TBE	0.252 lbmass	
25	TB001367	1	Pipe,2.00,Sch40,4,TBE	0.996 lbmass	
26	TB001363	1	Pipe,2.0,Sch40,12,TBE	3.102 lbmass	
27	3200-0022	1	Pipe,2.00,Sch40,39.875,TBE	12.129 lbmass	
28	3200-0025	1	Pipe,2.00,Sch40,63.063,TBE	19.195 lbmass	
29	TB001368	2	Pipe,2.00,Sch40,6,TBE	1.523 lbmass	
30	3200-0136	1	Pipe,2.00,Sch40,144,TOE	43.882 lbmass	
31	TB002015	1	Weld Flange,Threaded,1, BLK	0.190 lbmass	
32	TB002170	1	Pipe Plug,1,Square Head,BLK	0.378 lbmass	
33	TB001222	2	Coupling,Full,2.00,Merch,Thrd	1.216 lbmass	
34	TB001225	1	Coupling,Full,3.00,Merch,Thrd	3.568 lbmass	
35	TB001227	2	Coupling,Full,4.00,Merch,Thrd	4.381 lbmass	
36	TB001180	1	Bushing,Hex,4.00x2.00,DbITap,150#	6.074 lbmass	
37	TB001255	3	Elbow,2.00x90,150#,Thrd	1.886 lbmass	
38	TB002282	1	Bushing,Hex,2.00x.250,150#	1.100 lbmass	
39	TB001456	2	Union,2.00,150#	3.294 lbmass	
40	TB001961	1	Valve,AntiSiphon,2.00,5to12HeadPress	4.099 lbmass	
41	TB001447	1	Tee,2.00,150#,Thrd	2.278 lbmass	
42	TB001052	2	Nut,.500,13 Z5	0.043 lbmass	
43	3400-0003	8	Nut,.375-16UNC,Hex,Zinc Plated	0.018 lbmass	
44	DIKBU	4	U-Bolt,.375-16,2.0 Pipe,3.125,Zinc Pl	0.256 lbmass	TC002196
45	TB000111	2	Bolt,Hex,.500-13UNCx1.250,Zinc Pl	0.120 lbmass	
46	TB000904	2	Lift Lug,Large,16500#	5.186 lbmass	
47	TC000211	2	Lift Lug,Top	11.051 lbmass	
48	TB001979	1	Vent,Double Outlet,3.00,Thrd	0.406 lbmass	
49	TB000219	1	Decal,TrueNorth Steel,White	0.017 lbmass	
50	TB000817	2	Holder,Brass Label,Fargo	0.275 lbmass	3950-0036, HURON
51	TB000813	1	Label,SwRI Above Ground Storage Tank	0.005 lbmass	
52	TB000822	1	Label,H,Tank Requires Emer. Relief	0.047 lbmass	
53	TB000826	1	Label,K,Vent Space Between Outer & Inner	0.047 lbmass	

DATE	REV	DESCRIPTION	ECN NO.	BY
2/23/2016	6	UPDATED DETAILS	E2016-0107	TWS
6/4/15	5	MISC UPDATES TO MATCH MFG	E2015-0150	TWS
4/29/2015	4	1. ADDED MANWAY DIMENSION 2. CHANGE TO 2/12 PITCH		DCLAUDE
3/19/2015	3	CHANGE MANWAY	ECN 2015-0011	JLK

NOTES:
 1) FINISH:
 EXTERIOR: PRIME GREY AND PAINT WHITE, FAST DRYING ENAMEL
 Bottom - Bitumastic # 50
 INTERIOR: NO COATING
 2) TOTAL VENTING CAPACITY: 270,067.09 FT³/HR

	4401 West Main Fargo, ND 58103 Phone: 701-282-2345 Fax: 701-282-5516 TrueNorthSteel.com		
	UNLESS OTHERWISE SPECIFIED: UNITS = INCHES TOLERANCE: LINEAR ± 1/8" ANGULAR ± 1/2"	DRAWN: Tstoll DATE: 11/3/2014 CHECKED: DATE:	